

# FIGURE 7005Z HANGERS



## STANDARD DUTY ADJUSTABLE CLEVIS HANGERS

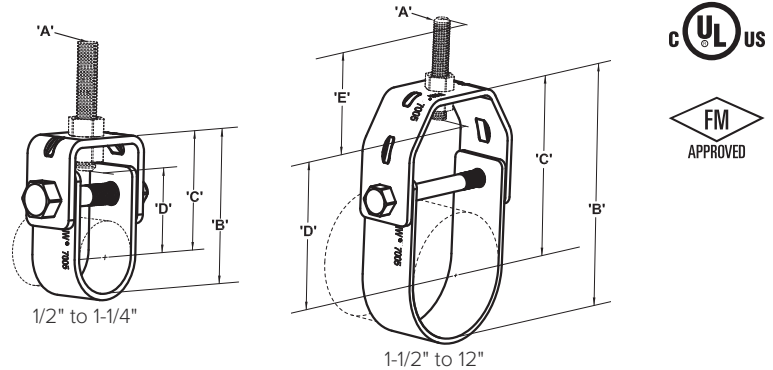
### FEATURES

- Finish - Plated
- Color - Zinc
- UL Approved - sizes 1/2" to 8"
- UL/FM Approved - sizes 3/4" to 8"

### PRODUCT SPECIFICATIONS

#### Standards

- Design - MSS SP-58, Type 1
- Federal Specification - WW-H-171, Type 1



**Note:** A - Rod size (hanger rod and nuts not included), B - Bottom of pipe to top of hanger, C - Center of pipe to top of hanger, D - Rod take out (center of pipe to bottom of hanger rod) E - Minimum thread length of hanger rod, F - Adjustment, top of cross bolt to bottom of hanger

### DIMENSIONS

Catalog Number	Pipe Size		A Rod Size	B		C		D	
	in.	mm		in.	mm	in.	mm	in.	mm
FNW7005Z0050	1/2	21.3	3/8" - 16	2.05	52	1.61	41	0.98	25
FNW7005Z0075	3/4	26.7	3/8" - 16	2.32	59	1.77	45	1.14	29
FNW7005Z0100	1	33.4	3/8" - 16	2.64	67	1.97	50	1.34	34
FNW7005Z0125	1-1/4	42.2	3/8" - 16	3.23	82	2.4	61	1.77	45
FNW7005Z0150	1-1/2	48.3	3/8" - 16	3.86	98	2.87	73	2.24	57
FNW7005Z0200	2	60.3	3/8" - 16	4.41	112	3.23	82	2.6	66
FNW7005Z0250	2-1/2	73.0	1/2" - 13	5.12	130	3.62	92	2.8	71
FNW7005Z0300	3	88.9	1/2" - 13	5.87	149	4.13	105	3.31	84
FNW7005Z0350	3-1/2	101.6	1/2" - 13	6.50	165.5	4.44	113.45	3.06	78.2
FNW7005Z0400	4	114.3	5/8" - 11	7.64	194	5.39	137	4.33	110
FNW7005Z0500	5	141.3	5/8" - 11	9.59	243.5	6.81	173	5.69	144.5
FNW7005Z0600	6	168.3	3/4" - 10	11.56	293.5	8.23	209	6.87	174.5
FNW7005Z0800	8	219.1	3/4" - 10	13.88	352.5	9.53	242	8.17	207.5
FNW7005Z1000	10	273.1	7/8" - 9	16.93	430	11.46	291	10	254
FNW7005Z1200	12	323.9	7/8" - 9	19.76	502	13.27	337	11.73	298

Catalog Number	Pipe Size		E		F		Bolt Size	Design Load		Weight	
	in.	mm	in.	mm	in.	mm		Lbs.	kN	Lbs.	Kg
FNW7005Z0050	1/2	21.3	2.5	63.50	0.45	12	1/4" - 20UNC	610	2.71	0.15	0.07
FNW7005Z0075	3/4	26.7	2.5	63.50	0.51	13	1/4" - 20UNC	610	2.71	0.18	0.08
FNW7005Z0100	1	33.4	2.5	63.50	0.55	14	1/4" - 20UNC	729	3.24	0.20	0.09
FNW7005Z0125	1-1/4	42.2	2.5	63.50	0.83	21	1/4" - 20UNC	729	3.24	0.24	0.11
FNW7005Z0150	1-1/2	48.3	2.5	63.50	1.18	30	1/4" - 20UNC	729	3.24	0.26	0.12
FNW7005Z0200	2	60.3	2.5	63.50	1.18	30	1/4" - 20UNC	729	3.24	0.31	0.14
FNW7005Z0250	2-1/2	73.0	2.5	63.50	0.98	25	3/8" - 16UNC	1350	6.00	0.82	0.37
FNW7005Z0300	3	88.9	2.5	63.50	1.22	31	3/8" - 16UNC	1350	6.00	0.93	0.42
FNW7005Z0350	3-1/2	101.6	2.5	63.50	2.00	51	5/16" - 18UNC	1130	5.02	0.91	0.41
FNW7005Z0400	4	114.3	2.5	63.50	1.73	44	3/8" - 16UNC	1431	6.36	1.30	0.59
FNW7005Z0500	5	141.3	2.5	63.50	2.36	60	1/2" - 13UNC	1431	6.36	2.25	1.02
FNW7005Z0600	6	168.3	3	76.20	3.07	78	1/2" - 13UNC	1942	8.62	3.26	1.48
FNW7005Z0800	8	219.1	3.5	88.90	3.07	78	5/8" - 11UNC	2000	8.89	4.92	2.23
FNW7005Z1000	10	273.1	3.5	88.90	3.31	84	3/4" - 10UNC	3600	16	8.82	4
FNW7005Z1200	12	323.9	3.5	88.90	3.98	101	3/4" - 10UNC	3803	16.9	11.74	5.323

# FIGURE 7005Z HANGERS



## STANDARD DUTY LARGE DIAMETER ADJUSTABLE CLEVIS HANGER

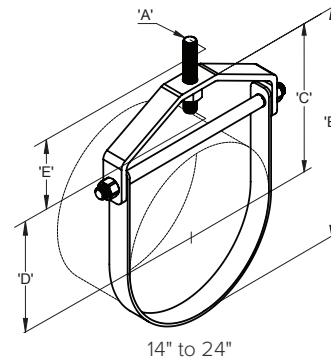
### FEATURES

- Finish - Plated
- Color - Zinc

### PRODUCT SPECIFICATIONS

#### Standards

- Design - MSS SP-58, Type 1
- Federal Specification - WW-H-171, Type 1



**Note:** A - Rod size (hanger rod and nuts not included), B - Bottom of pipe to top of hanger  
 C - Center of pipe to top of hanger, D - Rod take out (center of pipe to bottom of hanger rod),  
 E - Minimum thread length of hanger rod, F - Adjustment, top of cross bolt to bottom of hanger  
 rod nut inside hanger

### DIMENSIONS

Catalog Number	Pipe Size		A Rod Size	B		C		D	
	in.	mm		in.	mm	in.	mm	in.	mm
FNW7005Z1400	14	355.6	7/8" - 9	21.65	550	14.49	368	12.83	326
FNW7005Z1600	16	406.4	1-1/8" - 7	24.49	622	16.34	415	14.29	363
FNW7005Z1800	18	457.2	1-1/8" - 7	27.28	693	17.99	457	15.94	405
FNW7005Z2000	20	508.0	1-1/8" - 7	29.65	753	19.41	493	17.36	441
FNW7005Z2400	24	609.6	1-1/8" - 7	35.94	913	23.82	605	21.61	549

Catalog Number	Pipe Size		E		F		Bolt Size	Design Load		Weight	
	in.	mm	in.	mm	in.	mm		Lbs.	kN	Lbs.	Kg
FNW7005Z1400	14	355.6	2.87	73	4.33	110	7/8" - 9UNC	4185	18.60	13.89	6.3
FNW7005Z1600	16	406.4	3.37	85.7	5.12	130	7/8" - 9UNC	4590	20.40	23.81	10.8
FNW7005Z1800	18	457.2	3.37	85.7	5.79	147	7/8" - 9UNC	4793	21.30	25.57	11.6
FNW7005Z2000	20	508.0	4.81	122.2	6.22	158	7/8" - 9UNC	4793	21.30	31.19	14.6
FNW7005Z2400	24	609.6	5.25	133.3	7.56	192	1-1/8" - 7UNC	4793	21.30	51.81	23.5