

THIS SPACE FOR DESIGNER/ENGINEER APPROVAL

Job/Customer _____	Date _____	Contractor _____
Model Specified _____	Qty _____	Approved By _____
Designer/Engineer _____	Date _____	Contractor's PO# _____
Submitted by _____	Date _____	Other _____

4141 Series

Full Port Forged Brass Uni-Flange Ball Valves

w/ Detachable Rotating Flange
& Multi-Function Hi-Flow Hose Drain

Adjustable Packing Gland, Nuts & Bolts

IPS x Rotating Flange
600 WOG



ITEM #	SIZE	CTN	CASE	A	B	C	D	E	F	G	H	I	J
41413	3/4"	2	20	3/4	2 3/4	2 3/8	2 1/2	3/8	1/2	1 1/2	2 11/16	4 1/8	2 3/4
41414	1"	2	20	1	2 15/16	2 5/8	2 1/2	3/8	1/2	1 1/2	2 11/16	4 1/8	2 3/4
41415	1 1/4"	2	20	1 1/4	3 5/16	3 3/16	3 3/16	3/8	1/2	1 1/2	2 11/16	4 1/8	3 1/4
41416	1 1/2"	2	10	1 1/2	4	3 3/8	3 13/16	3/8	1/2	1 1/2	2 11/16	4 1/8	3 1/2
HV MODELS FIT BOTH STANDARD & HIGH VELOCITY PUMPS													
41413HV	3/4"	2	20	3/4	2 3/4	2 1/4	2 1/2	7/16	5/8	1 1/2	2 11/16	4 1/8	2 3/4
41414HV	1"	2	20	1	2 15/16	2 5/8	2 1/2	7/16	5/8	1 1/2	2 11/16	4 1/8	2 3/4
41415HV	1 1/4"	2	20	1 1/4	3 5/16	2 7/8	3 3/16	7/16	5/8	1 1/2	2 11/16	4 1/8	3 1/4
41416HV	1 1/2"	2	10	1 1/2	4	3 3/8	3 13/16	7/16	5/8	1 1/2	2 11/16	4 1/8	3 1/2
-	2"	2	10	1 1/2	4	3 1/8	3 3/8	7/16	5/8	1 1/2	2 11/16	4 1/8	3 3/8

*NOTE: 41417WHV is a Standard Port Valve

NO.	DESCRIPTION	MATERIAL
1	FLANGED BODY	BRASS
2	END CAP	BRASS
3	SEATS	PTFE
4	BALL	BRASS HCP
5	STEM	BRASS
6	STEM SEAL	PTFE
7	PACKING GLAND	BRASS
8	HANDLE	STEEL CP
9	HANDLE NUT	STAINLESS STEEL
10	HANDLE JACKET	VINYL
11	DRAIN VALVE SEATS	PTFE
12	DRAIN VALVE BALL	BRASS HCP
13	DRAIN VALVE STEM	BRASS
14	DRAIN VALVE STEM SEAL	PTFE
15	DRAIN VALVE HANDLE	ENAMEL COATED ALUMINUM
16	DRAIN VALVE HANDLE SCREW	BRASS
17	DRAIN VALVE CAP, WASHER & STRAP	BRASS W/ EPDM WASHER & STRAP
18	ROTATING FLANGE	BRASS
19	ROTATING FLANGE RING	STAINLESS STEEL
20	FLANGE BOLTS & NUTS	STEEL ZP

TEMP °F	PSI
100	600
150	490
200	470
250	439
300	411
350	294
366	N/A

Quality and Commitment Since 1954

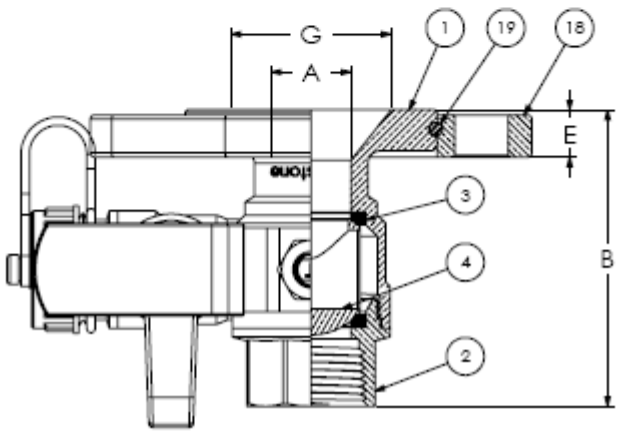
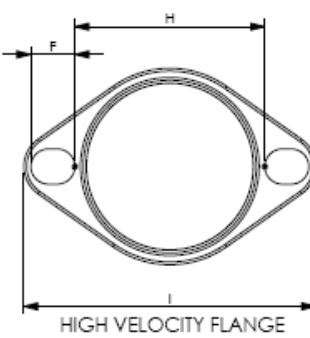
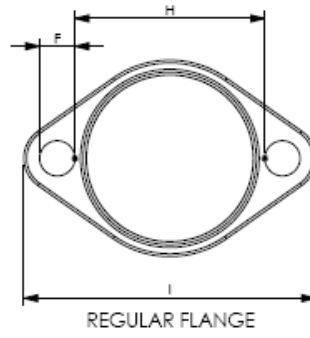
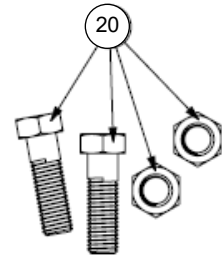
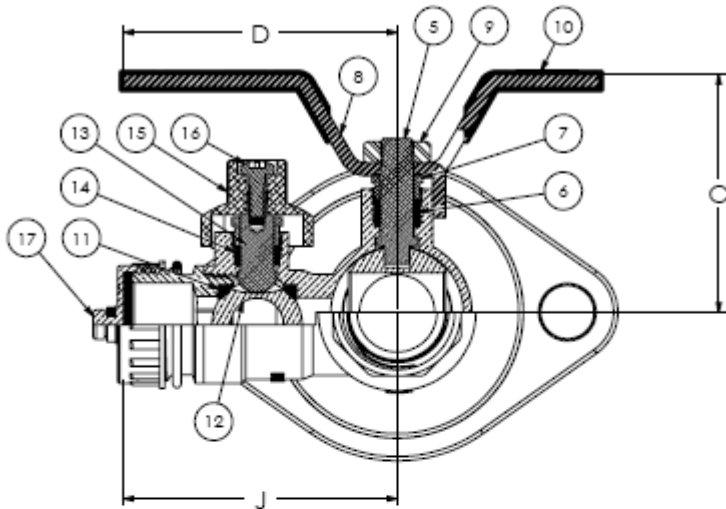


www.webstonevalves.com • P: (800) 225-9529 • F: (800) 336-5133

Webstone product specifications in U.S. customary units are approximate and are provided for reference only. Webstone reserves the right to change or modify product design, construction, specifications or materials without prior notice and without incurring any obligation to make such changes and modifications on Webstone products previously or subsequently sold.

THIS SPACE FOR DESIGNER/ENGINEER APPROVAL

Job/Customer _____	Date _____	Contractor _____
Model Specified _____	Qty _____	Approved By _____
Designer/Engineer _____	Date _____	Contractor's PO# _____
Submitted by _____	Date _____	Other _____



Specifications: Designed for residential, commercial or industrial use with water or a glycol mixture. This approved Webstone valve is actuated by a blowout proof stem and features an adjustable packing gland. Flange features a conical inlet to minimize turbulence. The rotating flange is secured by a snug-fit snap-ring that provides greater control over positioning during installation. Multi-directional main valve allows for draining from either side of the pump. Threaded ends comply with ANSI B1.20.1.



Quality and Commitment Since 1954

www.webstonevalves.com • P: (800) 225-9529 • F: (800) 336-5133

Webstone product specifications in U.S. customary units are approximate and are provided for reference only. Webstone reserves the right to change or modify product design, construction, specifications or materials without prior notice and without incurring any obligation to make such changes and modifications on Webstone products previously or subsequently sold.

4141-4141Wspec_020514

THIS SPACE FOR DESIGNER/ENGINEER APPROVAL

Job/Customer _____	Date _____	Contractor _____
Model Specified _____	Qty _____	Approved By _____
Designer/Engineer _____	Date _____	Contractor's PO# _____
Submitted by _____	Date _____	Other _____

5141 Series

**Full Port Forged Brass Uni-Flange Ball Valves
w/ Detachable Rotating Flange
& Multi-Function Hi-Flow Hose Drain
Adjustable Packing Gland, Nuts & Bolts
SWT x Rotating Flange
600 WOG - ISO 9001**



ITEM #	SIZE	CTN	CASE	A	B	C	D	E	F	G	H	I	J
51413	3/4"	2	20	3/4	3	2 1/4	2 1/2	7/16	1/2	1 1/2	2 11/16	4 1/8	2 3/4
51414	1"	2	20	1	3 1/4	2 5/8	2 1/2	7/16	1/2	1 1/2	2 11/16	4 1/8	2 3/4
51415	1 1/4"	2	20	1 1/4	3 1/2	2 7/8	3 3/16	7/16	1/2	1 1/2	2 11/16	4 1/8	3 1/4
51416	1 1/2"	2	10	1 1/2	4 3/8	3 3/8	3 13/16	7/16	1/2	1 1/2	2 11/16	4 1/8	3 1/2

HV MODELS FIT BOTH STANDARD & HIGH VELOCITY PUMPS

51413HV	3/4"	2	20	3/4	3	2 7/16	2 1/2	7/16	5/8	1 1/2	2 11/16	4 1/8	2 3/4
51414WV	1"	2	20	1	3 1/4	2 5/8	2 1/2	7/16	5/8	1 1/2	2 11/16	4 1/8	2 3/4
51415HV	1 1/4"	2	20	1 1/4	3 1/2	2 7/8	3 3/16	7/16	5/8	1 1/2	2 11/16	4 1/8	3 1/4
51416WV	1 1/2"	2	10	1 1/2	4 3/8	3 3/8	3 13/16	7/16	5/8	1 1/2	2 11/16	4 1/8	3 1/2
51417HV	2"	2	10	1 1/2	4 11/16	3 1/8	3 3/8	7/16	5/8	1 1/2	2 11/16	4 1/8	3 3/8

NOTE: 51417WHV is a Standard Port Valve



**PATENTED
TECHNOLOGY**

NO.	DESCRIPTION	MATERIAL
1	FLANGED BODY	BRASS
2	END CAP	BRASS
3	SEATS	PTFE
4	BALL	BRASS HCP
5	STEM	BRASS
6	STEM SEAL	PTFE
7	PACKING GLAND	BRASS
8	HANDLE	STEEL CP
9	HANDLE NUT	STAINLESS STEEL
10	HANDLE JACKET	VINYL
11	DRAIN VALVE SEATS	PTFE
12	DRAIN VALVE BALL	BRASS HCP
13	DRAIN VALVE STEM	BRASS
14	DRAIN VALVE STEM SEAL	PTFE
15	DRAIN VALVE HANDLE	ENAMEL COATED ALUMINUM
16	DRAIN VALVE HANDLE SCREW	BRASS
17	DRAIN VALVE CAP, WASHER & STRAP	BRASS W/ EPDM WASHER & STRAP
18	ROTATING FLANGE	BRASS
19	ROTATING FLANGE RING	STAINLESS STEEL
20	FLANGE BOLTS & NUTS	STEEL ZP

TEMP °F	PSI
100	600
150	485
200	395
250	210
300	N/A
350	N/A
366	N/A



Quality and Commitment Since 1954

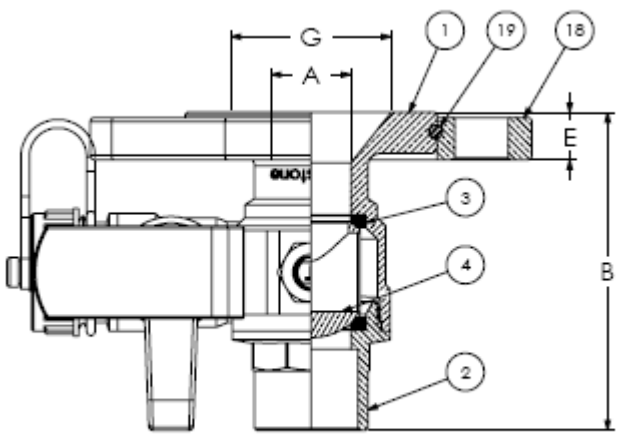
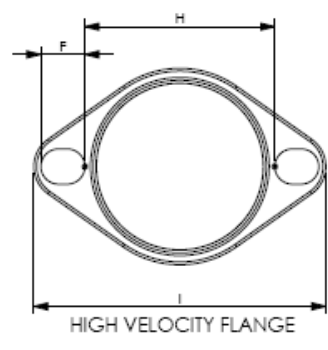
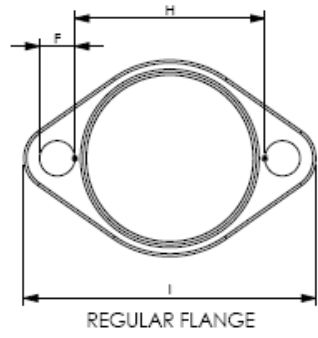
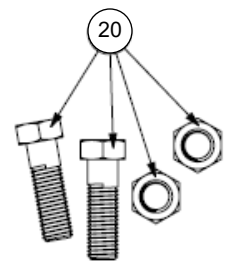
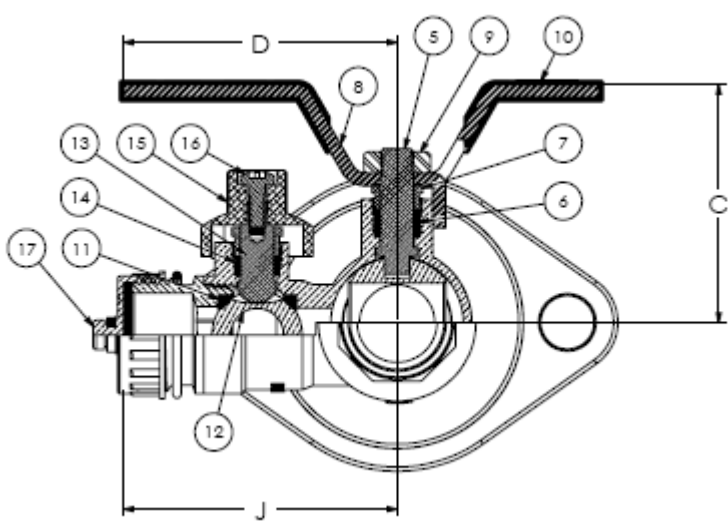
www.webstonevalves.com • P: (800) 225-9529 • F: (800) 336-5133

Webstone product specifications in U.S. customary units are approximate and are provided for reference only. Webstone reserves the right to change or modify product design, construction, specifications or materials without prior notice and without incurring any obligation to make such changes and modifications on Webstone products previously or subsequently sold.

5141-5141Wspec_031913

THIS SPACE FOR DESIGNER/ENGINEER APPROVAL

Job/Customer _____	Date _____	Contractor _____
Model Specified _____	Qty _____	Approved By _____
Designer/Engineer _____	Date _____	Contractor's PO# _____
Submitted by _____	Date _____	Other _____



Specifications: Designed for residential, commercial or industrial use with water or a glycol mixture. This approved Webstone valve is actuated by a blowout proof stem and features an adjustable packing gland. Flange features a conical inlet to minimize turbulence. The rotating flange is secured by a snug-fit snap-ring that provides greater control over positioning during installation. Multi-directional main valve allows for draining from either side of the pump. Solder joint temperature ratings are per ASME B16.18 Annex A for 95-5 solder. Other solder materials have lower pressure/temperature limits. Do not silver braze or overheat valves when soldering.



Quality and Commitment Since 1954

www.webstonevalves.com • P: (800) 225-9529 • F: (800) 336-5133

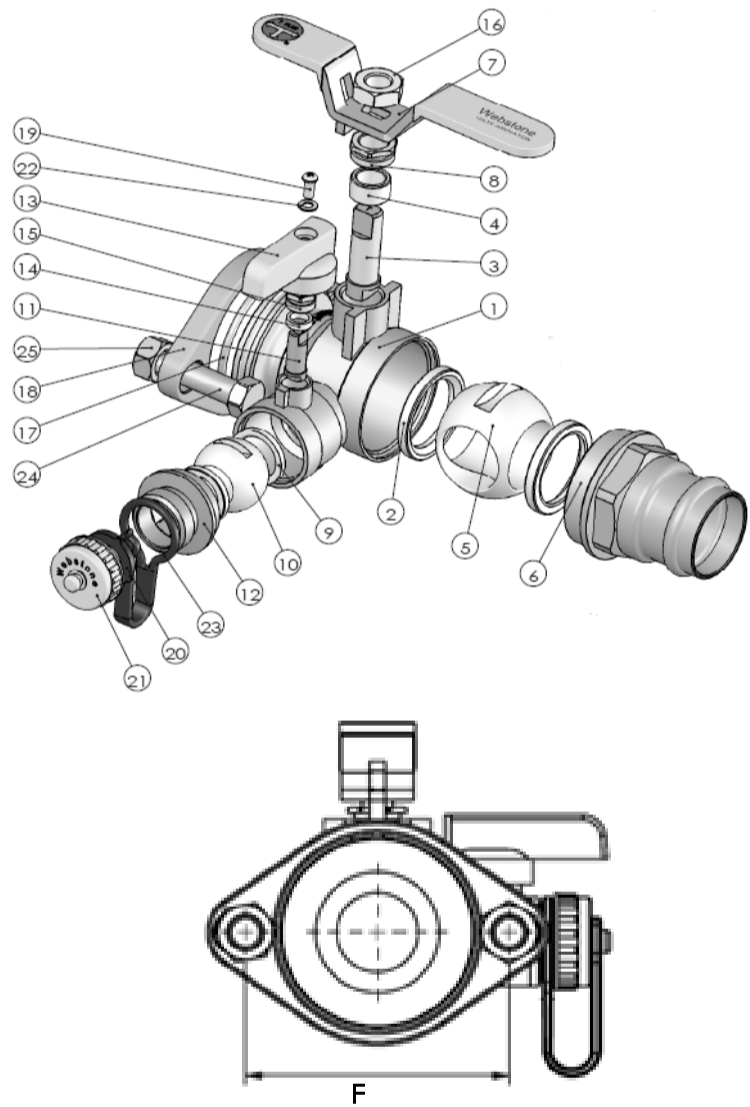
Webstone product specifications in U.S. customary units are approximate and are provided for reference only. Webstone reserves the right to change or modify product design, construction, specifications or materials without prior notice and without incurring any obligation to make such changes and modifications on Webstone products previously or subsequently sold.

5141-5141Wspec_031913



H-8141 Series

The Isolator w/ Rotating Flange & Multi-Function Drain
Full Port Forged Brass Uni-Flange Ball Valve
w/ Detachable Rotating Flange,
Multi-Function Hi-Flow Hose Drain,
Adjustable Packing Glands,
Nuts & Bolts

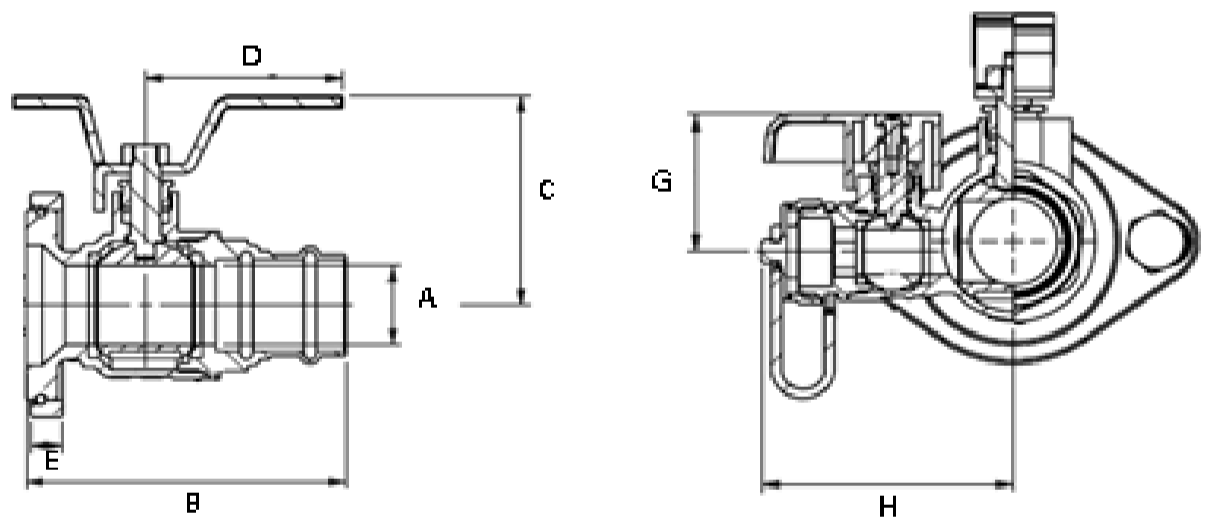


The ISOLATOR®

UNI-FLANGE BALL VALVE®

PATENTED TECHNOLOGY

NO.	DESCRIPTION	MATERIAL
1	BODY	BRASS
2	SEAT	PTFE
3	STEM	BRASS
4	STEM SEAL	PTFE
5	BALL	BRASS CP
6	END CAP	BRASS
7	HANDLE	PLATED STEEL
8	PACKING GLAND	BRASS
9	DRAIN SEATS	PTFE
10	DRAIN BALL	BRASS CP
11	DRAIN STEM	BRASS
12	DRAIN END CAP	BRASS
13	DRAIN HANDLE	EPOXY COATED ALUMINUM
14	STEM SEAL	PTFE
15	PACKING GLAND	BRASS
16	HANDLE NUT	STAINLESS STEEL
17	RETAINER	STAINLESS STEEL
18	FLANGE	BRASS
19	SCREW	STAINLESS STEEL
20	GASKET	EPDM
21	CAP	BRASS
22	WASHER	STAINLESS STEEL
23	STRAP	PVC
24	FLANGE BOLTS	STAINLESS STEEL
25	HEX NUTS	STAINLESS STEEL



Designed for residential, commercial or industrial use with water, oil or gas. This approved Webstone valve is actuated by a blowout proof stem and features an adjustable packing nut. *Slotted bolt holes accommodate both standard and high velocity pumps.

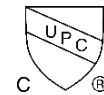
ITEM#	Connection Type	SIZE (in)	Pressure Rating	Max Temp	A	B	C	D	E	F	G	H
H-81413	Press x Rotating Flange	3/4	250 PSI CWP Max	250°F Max	0.75	3.69	2.25	2.38	0.38	3.19	1.56	2.75
* H-81413HV	Press x Rotating Flange	3/4	250 PSI CWP Max	250°F Max	0.75	3.69	2.25	2.38	0.38	3.19	1.56	2.75
H-81414	Press x Rotating Flange	1	250 PSI CWP Max	250°F Max	1.00	3.88	2.63	3.38	0.38	3.19	1.56	2.81
* H-81414HV	Press x Rotating Flange	1	250 PSI CWP Max	250°F Max	1.00	3.88	2.63	3.38	0.38	3.19	1.56	2.81
H-81415	Press x Rotating Flange	1 1/4	250 PSI CWP Max	250°F Max	1.25	4.44	2.94	3.38	0.38	3.19	1.75	3.31
* H-81415HV	Press x Rotating Flange	1 1/4	250 PSI CWP Max	250°F Max	1.25	4.44	2.94	3.38	0.38	3.19	1.75	3.31
H-81416	Press x Rotating Flange	1 1/2	250 PSI CWP Max	250°F Max	1.50	5.00	3.19	3.38	0.38	3.19	1.75	3.50
* H-81416HV	Press x Rotating Flange	1 1/2	250 PSI CWP Max	250°F Max	1.50	5.00	3.19	3.38	0.38	3.19	1.75	3.50
* H-81417HV	Press x Rotating Flange	2	250 PSI CWP Max	250°F Max	2	5.81	3.56	3.38	0.38	3.69	1.75	3.75





1141 Series

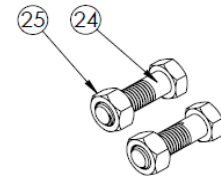
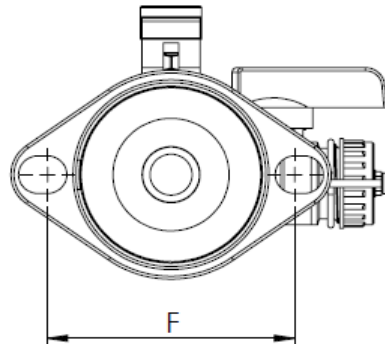
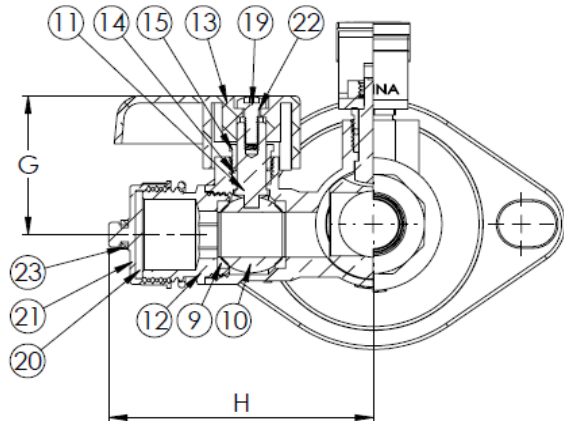
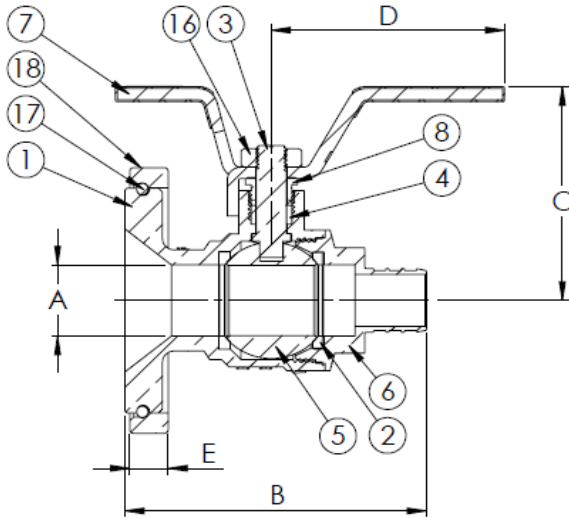
The Isolator w/ Rotating Flange & Multi-Function Drain
Full Port Forged Dezincification Resistant Brass Uni-Flange Ball Valve
w/ Detachable Rotating Flange,
Multi-Function Hi-Flow Hose Drain,
Adjustable Packing Glands,
Nuts & Bolts
ASTM F1807 PEX x Rotating Flange
Max Operating Pressure: 400 WOG
Certified to NSF/ANSI 61 & 372, NSF/ANSI 14 & IAPMO ANSI Z1157
ISO 9001



ITEM#	SIZE (in)	CTN	CASE	A	B	C	D	E	F	G	H
H-11413W	3/4	1	20	0.75	3.12	2.25	2.38	0.38	3.50	1.56	2.75
H-11414W	1	1	20	1.00	3.32	2.63	3.38	0.38	3.50	1.56	2.81
HV MODELS FIT BOTH STANDARD AND HIGH VELOCITY PUMPS											
H-11413WHV	3/4	1	20	0.75	3.12	2.25	2.38	0.38	3.19	1.56	2.75
H-11414WHV	1	1	20	1.00	3.32	2.63	2.38	0.38	3.19	1.56	2.81



Designed for residential, commercial or industrial use with water, oil or gas. This approved Webstone valve is actuated by a blowout proof stem and features an adjustable packing nut. PEX end dimensions comply with ASTM F1807



NO.	DESCRIPTION	MATERIAL
1	Body	Lead Free Brass
2	Seats	PTFE
3	Stem	Lead Free Brass
4	Packing Gland	PTFE
5	Ball	Lead Free Brass
6	End Cap	Lead Free Brass
7	Handle	Chrome Plated Steel
8	Packing Nut	Brass
9	Drain Seats	PTFE
10	Drain Ball	Lead Free Brass
11	Drain Stem	Lead Free Brass
12	Drain End Cap	Lead Free Brass
13	Drain Handle	Enamel Coated Aluminum
14	Drain Packing Gland	PTFE
15	Drain Packing Nut	Brass
16	Handle Nut	Stainless Steel
17	Retaining Ring	Stainless Steel
18	Rotating Flange	Brass
19	Drain Handle Screw	Stainless Steel
20	Drain Cap Gasket	EPDM
21	Drain Cap	Brass
22	Drain Handle Washer	Stainless Steel
23	Drain Cap Strap	PVC
24	Flange Bolts	Stainless Steel
25	Flange Nuts	Stainless Steel



3141 Series

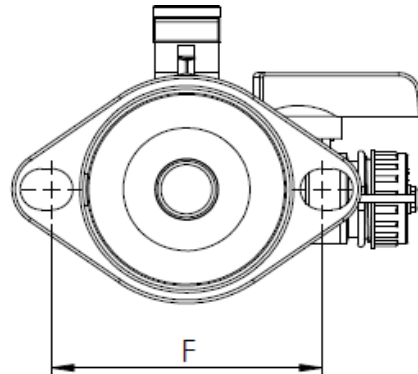
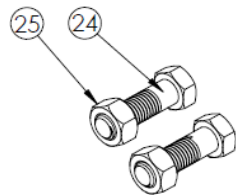
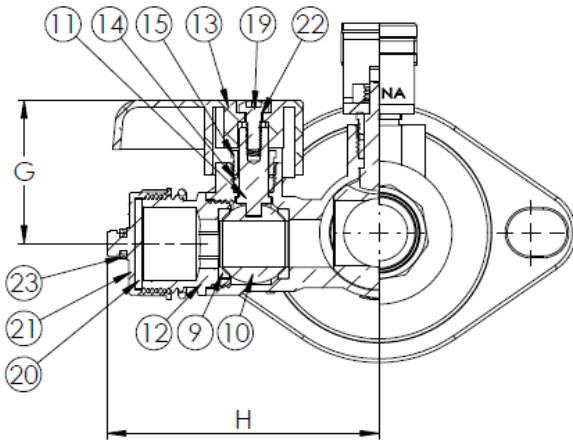
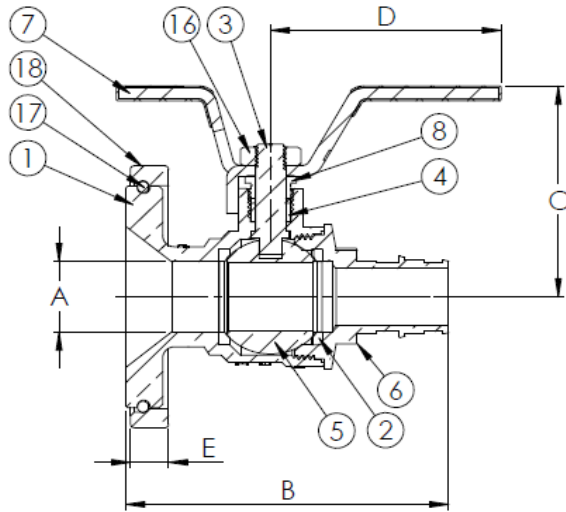
The Isolator w/ Rotating Flange & Multi-Function Drain
Full Port Forged Dezincification Resistant Brass Uni-Flange Ball Valve
w/ Detachable Rotating Flange,
Multi-Function Hi-Flow Hose Drain,
Adjustable Packing Glands,
Nuts & Bolts
ASTM F1960 PEX x Rotating Flange
Max Operating Pressure: 400 WOG
Certified to NSF/ANSI 61 & 372, NSF/ANSI 14 & IAPMO ANSI Z1157
ISO 9001



ITEM#	SIZE (in)	CTN	CASE	A	B	C	D	E	F	G	H
H-31413W	3/4	1	20	0.75	3.41	2.25	2.38	0.38	3.50	1.56	2.75
H-31414W	1	1	20	1.00	3.82	2.63	3.38	0.38	3.50	1.56	2.81
HV MODELS FIT BOTH STANDARD AND HIGH VELOCITY PUMPS											
H-31413WHV	3/4	1	20	0.75	3.41	2.25	2.38	0.38	3.19	1.56	2.75
H-31414WHV	1	1	20	1.00	3.82	2.63	2.38	0.38	3.19	1.56	2.81



Designed for residential, commercial or industrial use with water, oil or gas. This approved Webstone valve is actuated by a blowout proof stem and features an adjustable packing nut. PEX end dimensions comply with ASTM F1960



NO.	DESCRIPTION	MATERIAL
1	Body	Lead Free Brass
2	Seats	PTFE
3	Stem	Lead Free Brass
4	Packing Gland	PTFE
5	Ball	Lead Free Brass
6	End Cap	Lead Free Brass
7	Handle	Chrome Plated Steel
8	Packing Nut	Brass
9	Drain Seats	PTFE
10	Drain Ball	Lead Free Brass
11	Drain Stem	Lead Free Brass
12	Drain End Cap	Lead Free Brass
13	Drain Handle	Enamel Coated Aluminum
14	Drain Packing Gland	PTFE
15	Drain Packing Nut	Brass
16	Handle Nut	Stainless Steel
17	Retaining Ring	Stainless Steel
18	Rotating Flange	Brass
19	Drain Handle Screw	Stainless Steel
20	Drain Cap Gasket	EPDM
21	Drain Cap	Brass
22	Drain Handle Washer	Stainless Steel
23	Drain Cap Strap	PVC
24	Flange Bolts	Stainless Steel
25	Flange Nuts	Stainless Steel

THIS SPACE FOR DESIGNER/ENGINEER APPROVAL

Job/Customer _____	Date _____	Contractor _____
Model Specified _____	Qty _____	Approved By _____
Designer/Engineer _____	Date _____	Contractor's PO# _____
Submitted by _____	Date _____	Other _____

4141 Series

**Full Port Forged Brass Uni-Flange Ball Valves
w/ Detachable Rotating Flange
& Multi-Function Hi-Flow Hose Drain
Adjustable Packing Gland, Nuts & Bolts
IPS x Rotating Flange
600 WOG - ISO 9001**



Lead free products are certified to NSF/ANSI 61 & NSF/ANSI 372

ITEM #	SIZE	CTN	CASE	A	B	C	D	E	F	G	H	I	J
41413W	3/4"	2	20	3/4	2 3/4	2 3/8	2 1/2	3/8	1/2	1 1/2	2 11/16	4 1/8	2 3/4
41414W	1"	2	20	1	2 15/16	2 5/8	2 1/2	3/8	1/2	1 1/2	2 11/16	4 1/8	2 3/4
41415W	1 1/4"	2	10	1 1/4	3 5/16	3 3/16	3 3/16	3/8	1/2	1 1/2	2 11/16	4 1/8	3 1/4
41416W	1 1/2"	2	10	1 1/2	4	3 3/8	3 13/16	3/8	1/2	1 1/2	2 11/16	4 1/8	3 1/2
HV MODELS FIT BOTH STANDARD & HIGH VELOCITY PUMPS													
41413WHV	3/4"	2	20	3/4	2 3/4	2 1/4	2 1/2	7/16	5/8	1 1/2	2 11/16	4 1/8	2 3/4
41414WHV	1"	2	20	1	2 15/16	2 5/8	2 1/2	7/16	5/8	1 1/2	2 11/16	4 1/8	2 3/4
41415WHV	1 1/4"	2	10	1 1/4	3 5/16	2 7/8	3 3/16	7/16	5/8	1 1/2	2 11/16	4 1/8	3 1/4
41416WHV	1 1/2"	2	10	1 1/2	4	3 3/8	3 13/16	7/16	5/8	1 1/2	2 11/16	4 1/8	3 1/2
41417WHV	2"	2	10	1 1/2	4	3 1/8	3 3/8	7/16	5/8	1 1/2	2 11/16	4 1/8	3 3/8

*NOTE: 41417WHV is a Standard Port Valve

NO.	DESCRIPTION	MATERIAL
1	FLANGED BODY	BRASS
2	END CAP	BRASS
3	SEATS	PTFE
4	BALL	BRASS HCP
5	STEM	BRASS
6	STEM SEAL	PTFE
7	PACKING GLAND	BRASS
8	HANDLE	STEEL CP
9	HANDLE NUT	STAINLESS STEEL
10	HANDLE JACKET	VINYL
11	DRAIN VALVE SEATS	PTFE
12	DRAIN VALVE BALL	BRASS HCP
13	DRAIN VALVE STEM	BRASS
14	DRAIN VALVE STEM SEAL	PTFE
15	DRAIN VALVE HANDLE	ENAMEL COATED ALUMINUM
16	DRAIN VALVE HANDLE SCREW	BRASS
17	DRAIN VALVE CAP, WASHER & STRAP	BRASS W/ EPDM WASHER & STRAP
18	ROTATING FLANGE	BRASS
19	ROTATING FLANGE RING	STAINLESS STEEL
20	FLANGE BOLTS & NUTS	STEEL ZP

TEMP °F	PSI
100	600
150	490
200	470
250	439
300	411
350	294
366	N/A

Quality and Commitment Since 1954

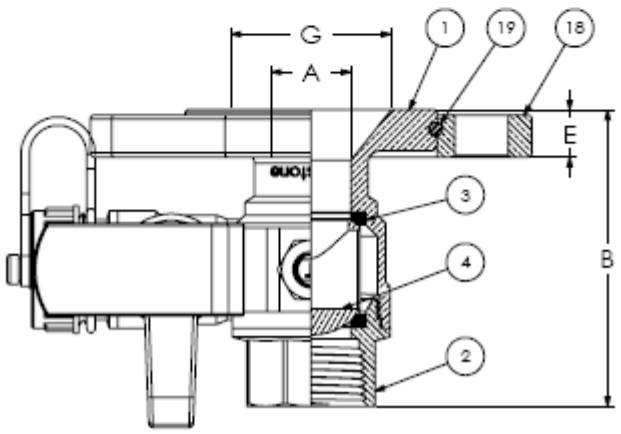
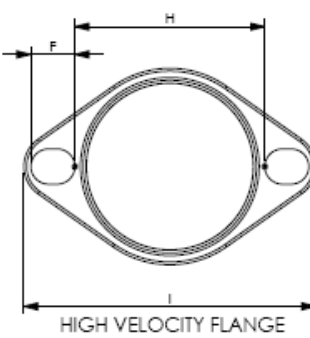
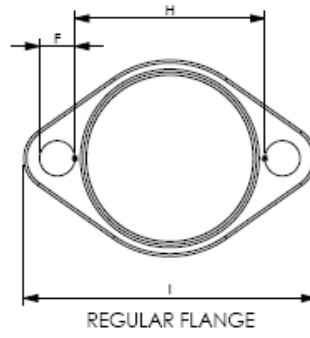
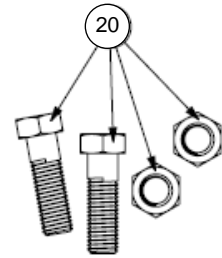
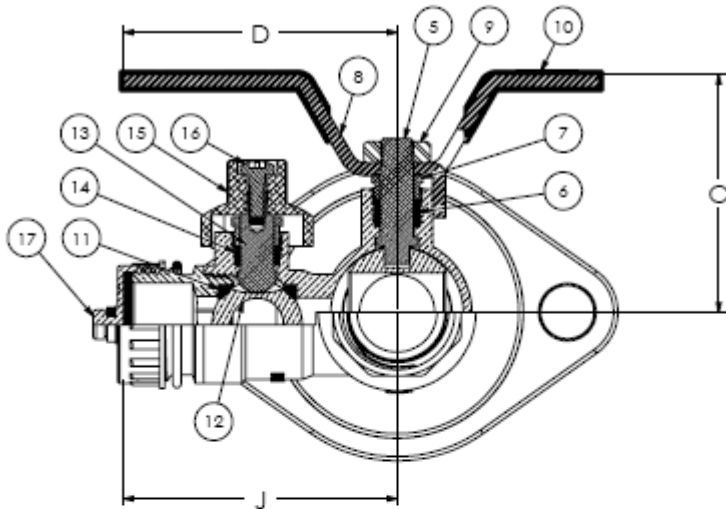


www.webstonevalves.com • P: (800) 225-9529 • F: (800) 336-5133

Webstone product specifications in U.S. customary units are approximate and are provided for reference only. Webstone reserves the right to change or modify product design, construction, specifications or materials without prior notice and without incurring any obligation to make such changes and modifications on Webstone products previously or subsequently sold.

THIS SPACE FOR DESIGNER/ENGINEER APPROVAL

Job/Customer _____	Date _____	Contractor _____
Model Specified _____	Qty _____	Approved By _____
Designer/Engineer _____	Date _____	Contractor's PO# _____
Submitted by _____	Date _____	Other _____



Specifications: Designed for residential, commercial or industrial use with water or a glycol mixture. This approved Webstone valve is actuated by a blowout proof stem and features an adjustable packing gland. Flange features a conical inlet to minimize turbulence. The rotating flange is secured by a snug-fit snap-ring that provides greater control over positioning during installation. Multi-directional main valve allows for draining from either side of the pump. Threaded ends comply with ANSI B1.20.1.



Quality and Commitment Since 1954

www.webstonevalves.com • P: (800) 225-9529 • F: (800) 336-5133

Webstone product specifications in U.S. customary units are approximate and are provided for reference only. Webstone reserves the right to change or modify product design, construction, specifications or materials without prior notice and without incurring any obligation to make such changes and modifications on Webstone products previously or subsequently sold.

THIS SPACE FOR DESIGNER/ENGINEER APPROVAL

Job/Customer _____	Date _____	Contractor _____
Model Specified _____	Qty _____	Approved By _____
Designer/Engineer _____	Date _____	Contractor's PO# _____
Submitted by _____	Date _____	Other _____

5141 Series

**Full Port Forged Brass Uni-Flange Ball Valves
w/ Detachable Rotating Flange
& Multi-Function Hi-Flow Hose Drain
Adjustable Packing Gland, Nuts & Bolts
SWT x Rotating Flange
600 WOG - ISO 9001**



Lead free products are certified to NSF/ANSI 61 & NSF/ANSI 372

ITEM #	SIZE	CTN	CASE	A	B	C	D	E	F	G	H	I	J
51413W	3/4"	2	20	3/4	3	2 1/4	2 1/2	7/16	1/2	1 1/2	2 11/16	4 1/8	2 3/4
51414W	1"	2	20	1	3 1/4	2 5/8	2 1/2	7/16	1/2	1 1/2	2 11/16	4 1/8	2 3/4
51415W	1 1/4"	2	10	1 1/4	3 1/2	2 7/8	3 3/16	7/16	1/2	1 1/2	2 11/16	4 1/8	3 1/4
51416W	1 1/2"	2	10	1 1/2	4 3/8	3 3/8	3 13/16	7/16	1/2	1 1/2	2 11/16	4 1/8	3 1/2
HV MODELS FIT BOTH STANDARD & HIGH VELOCITY PUMPS													
51413WHV	3/4"	2	20	3/4	3	2 7/16	2 1/2	7/16	5/8	1 1/2	2 11/16	4 1/8	2 3/4
51414WHV	1"	2	20	1	3 1/4	2 5/8	2 1/2	7/16	5/8	1 1/2	2 11/16	4 1/8	2 3/4
51415WHV	1 1/4"	2	10	1 1/4	3 1/2	2 7/8	3 3/16	7/16	5/8	1 1/2	2 11/16	4 1/8	3 1/4
51416WHV	1 1/2"	2	10	1 1/2	4 3/8	3 3/8	3 13/16	7/16	5/8	1 1/2	2 11/16	4 1/8	3 1/2
51417WHV	2"	2	10	1 1/2	4 11/16	3 1/8	3 3/8	7/16	5/8	1 1/2	2 11/16	4 1/8	3 3/8

NOTE: 51417WHV is a Standard Port Valve



PATENTED TECHNOLOGY

NO.	DESCRIPTION	MATERIAL
1	FLANGED BODY	BRASS
2	END CAP	BRASS
3	SEATS	PTFE
4	BALL	BRASS HCP
5	STEM	BRASS
6	STEM SEAL	PTFE
7	PACKING GLAND	BRASS
8	HANDLE	STEEL CP
9	HANDLE NUT	STAINLESS STEEL
10	HANDLE JACKET	VINYL
11	DRAIN VALVE SEATS	PTFE
12	DRAIN VALVE BALL	BRASS HCP
13	DRAIN VALVE STEM	BRASS
14	DRAIN VALVE STEM SEAL	PTFE
15	DRAIN VALVE HANDLE	ENAMEL COATED ALUMINUM
16	DRAIN VALVE HANDLE SCREW	BRASS
17	DRAIN VALVE CAP, WASHER & STRAP	BRASS W/ EPDM WASHER & STRAP
18	ROTATING FLANGE	BRASS
19	ROTATING FLANGE RING	STAINLESS STEEL
20	FLANGE BOLTS & NUTS	STEEL ZP

TEMP °F	PSI
100	600
150	485
200	395
250	210
300	N/A
350	N/A
366	N/A



Quality and Commitment Since 1954

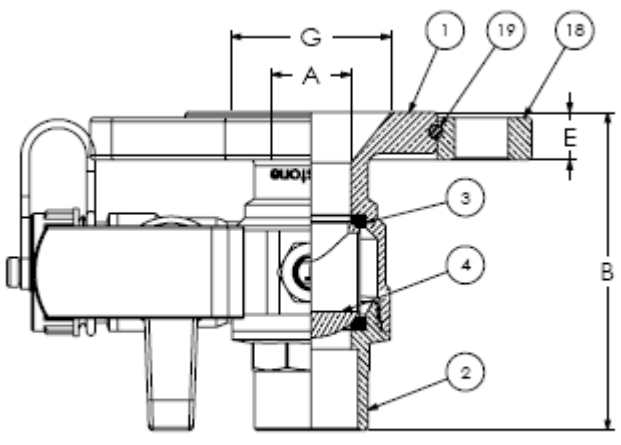
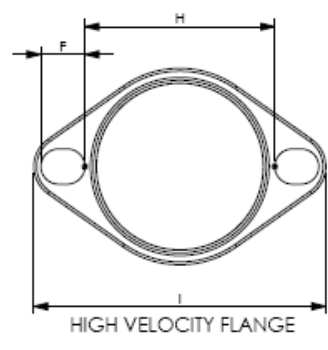
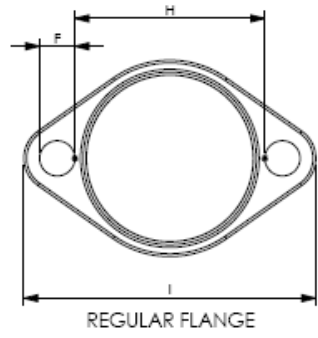
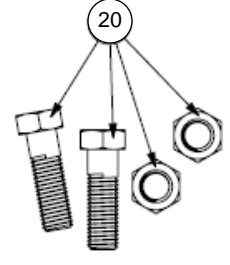
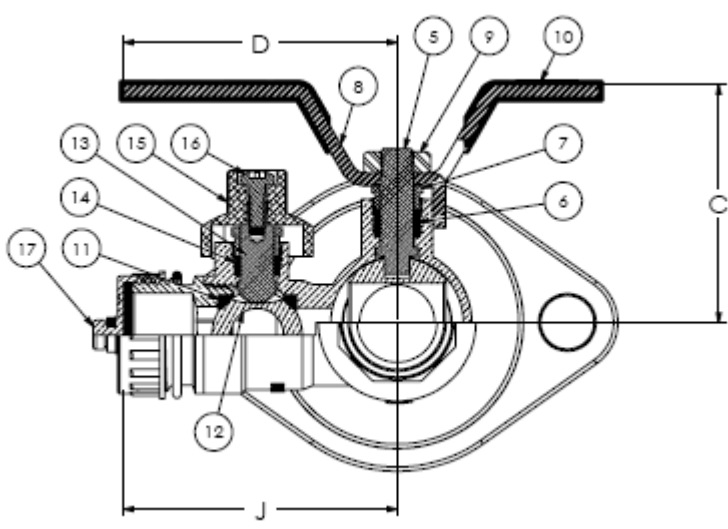
www.webstonevalves.com • P: (800) 225-9529 • F: (800) 336-5133

Webstone product specifications in U.S. customary units are approximate and are provided for reference only. Webstone reserves the right to change or modify product design, construction, specifications or materials without prior notice and without incurring any obligation to make such changes and modifications on Webstone products previously or subsequently sold.

5141-5141Wspec_031913

THIS SPACE FOR DESIGNER/ENGINEER APPROVAL

Job/Customer _____	Date _____	Contractor _____
Model Specified _____	Qty _____	Approved By _____
Designer/Engineer _____	Date _____	Contractor's PO# _____
Submitted by _____	Date _____	Other _____



Specifications: Designed for residential, commercial or industrial use with water or a glycol mixture. This approved Webstone valve is actuated by a blowout proof stem and features an adjustable packing gland. Flange features a conical inlet to minimize turbulence. The rotating flange is secured by a snug-fit snap-ring that provides greater control over positioning during installation. Multi-directional main valve allows for draining from either side of the pump. Solder joint temperature ratings are per ASME B16.18 Annex A for 95-5 solder. Other solder materials have lower pressure/temperature limits. Do not silver braze or overheat valves when soldering.

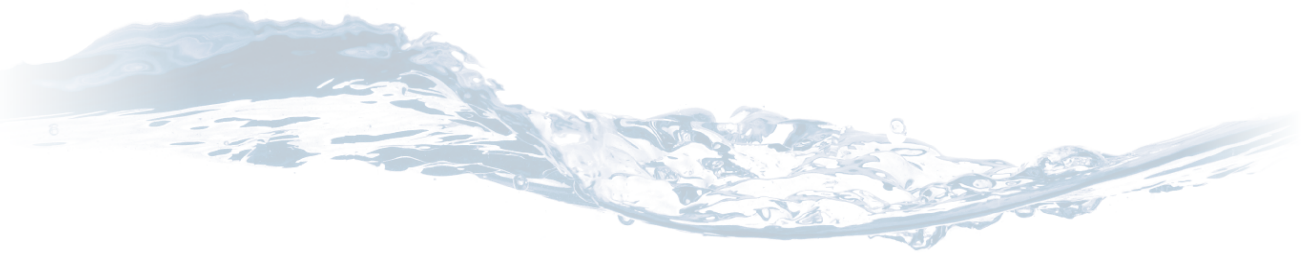


Quality and Commitment Since 1954

www.webstonevalves.com • P: (800) 225-9529 • F: (800) 336-5133

Webstone product specifications in U.S. customary units are approximate and are provided for reference only. Webstone reserves the right to change or modify product design, construction, specifications or materials without prior notice and without incurring any obligation to make such changes and modifications on Webstone products previously or subsequently sold.

5141-5141Wspec_031913

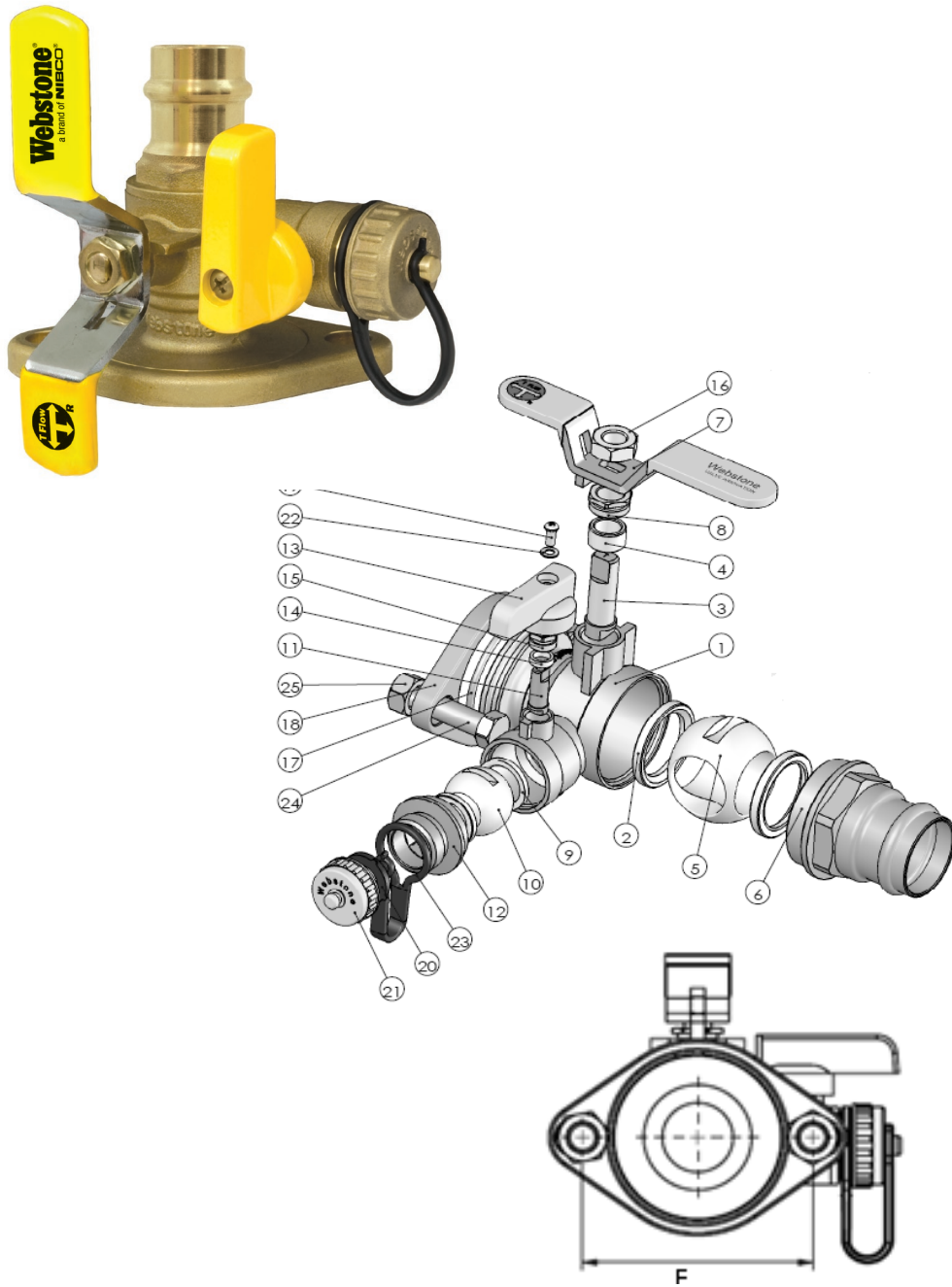


H-8141W Series

The Isolator w/ Rotating Flange & Multi-Function Drain
 Full Port Forged Brass Uni-Flange Ball Valve
 w/ Detachable Rotating Flange,
 Multi-Function Hi-Flow Hose Drain,
 Adjustable Packing Glands,
 Nuts & Bolts

Certifications

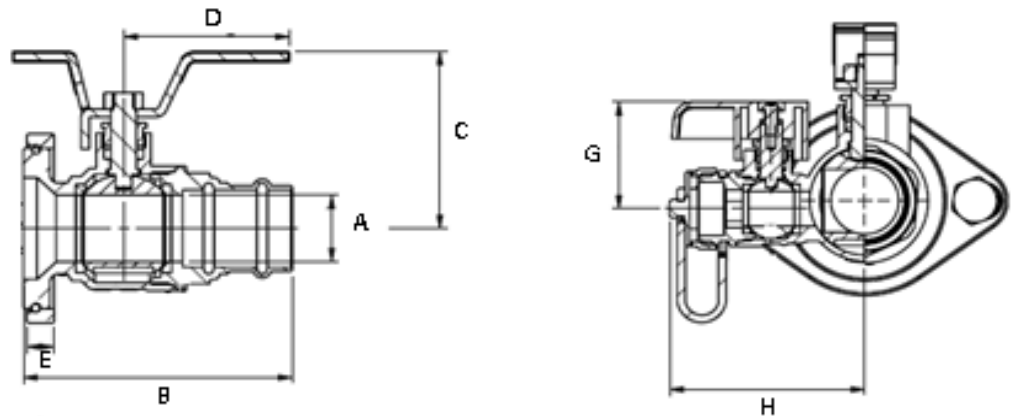
Certified to NSF/ANSI 61 & 372
 Lead-Free



The ISOLATOR®

UNI-FLANGE BALL VALVE® PATENTED TECHNOLOGY

NO.	DESCRIPTION	MATERIAL
1	BODY	LEAD FREE BRASS
2	SEATS	PTFE
3	STEM	LEAD FREE BRASS
4	PACKING GLAND	PTFE
5	BALL	LEAD FREE BRASS
6	END CAP	LEAD FREE BRASS
7	HANDLE	CHROME PLATED STEEL
8	PACKING NUT	BRASS
9	DRAIN SEATS	PTFE
10	DRAIN BALL	LEAD FREE BRASS
11	DRAIN STEM	LEAD FREE BRASS
12	DRAIN END CAP	LEAD FREE BRASS
13	DRAIN HANDLE	ENAMEL COATED ALUMINUM
14	DRAIN PACKING GLAND	PTFE
15	DRAIN PACKING NUT	BRASS
16	HANDLE NUT	STAINLESS STEEL
17	RETAINING RING	STAINLESS STEEL
18	ROTATING FLANGE	BRASS
19	DRAIN HANDLE SCREW	STAINLESS STEEL
20	DRAIN CAP GASKET	EPDM
21	DRAIN CAP	BRASS
22	DRAIN HANDLE WASHER	STAINLESS STEEL
23	DRAIN CAP STRAP	PVC
24	FLANGE BOLTS	STAINLESS STEEL
25	FLANGE NUTS	STAINLESS STEEL



Designed for residential, commercial or industrial use with water, oil or gas. This approved Webstone valve is actuated by a blowout proof stem and features an adjustable packing nut. *Slotted bolt holes accommodate both standard and high velocity pumps.

ITEM#	Connection Type	SIZE (in)	Pressure Rating	Max Temp	A	B	C	D	E	G	H
H-81413W	Press x Rotating Flange	3/4	50 PSI CWP M: 250°F Max		0.75	3.69	2.25	2.38	0.38	1.56	2.75
* H-81413WHV	Press x Rotating Flange	3/4	50 PSI CWP M: 250°F Max		0.75	3.69	2.25	2.38	0.38	1.56	2.75
H-81414W	Press x Rotating Flange	1	50 PSI CWP M: 250°F Max		1.00	3.88	2.63	3.38	0.38	1.56	2.81
* H-81414WHV	Press x Rotating Flange	1	50 PSI CWP M: 250°F Max		1.00	3.88	2.63	3.38	0.38	1.56	2.81
H-81415W	Press x Rotating Flange	1 1/4	50 PSI CWP M: 250°F Max		1.25	4.44	2.94	3.38	0.38	1.75	3.31
* H-81415WHV	Press x Rotating Flange	1 1/4	50 PSI CWP M: 250°F Max		1.25	4.44	2.94	3.38	0.38	1.75	3.31
H-81416W	Press x Rotating Flange	1 1/2	50 PSI CWP M: 250°F Max		1.50	5.00	3.19	3.38	0.38	1.75	3.50
* H-81416WHV	Press x Rotating Flange	1 1/2	50 PSI CWP M: 250°F Max		1.50	5.00	3.19	3.38	0.38	1.75	3.50
* H-81417WHV	Press x Rotating Flange	2	50 PSI CWP M: 250°F Max		2	5.81	3.56	3.38	0.38	1.75	3.75



THIS SPACE FOR DESIGNER/ENGINEER APPROVAL

Job/Customer _____	Date _____	Contractor _____
Model Specified _____	Qty _____	Approved By _____
Designer/Engineer _____	Date _____	Contractor's PO# _____
Submitted by _____	Date _____	Other _____

9141W Series

**Full Port Forged Brass Uni-Flange Ball Valves
w/ Detachable Rotating Flange, Conical Inlet
& Multi-Function Hi-Flow Hose Drain
Adjustable Packing Gland w/ Nuts & Bolts
Female PP-R Metric Socket x Rotating Flange
Manufactured for use with Aquatherm® PP-R Piping
Max. Operating Pressure: 355 PSI**
ISO 9001 - Patented Technology**



Lead free products are certified to NSF/ANSI 61 & NSF/ANSI 372

LEAD FREE ITEM #	METRIC PIPE SIZE	SIZE *	CTN	CASE	A	B	C	D	E	F	G	H	I	J
91413WHV	25	3/4"	1	20	3/4	3 9/16	2 13/16	4	7/16	5/8	1 1/2	2 11/16	4 1/8	2 3/4
91414WHV	32	1"	1	20	1	3 3/4	2 5/8	4	7/16	5/8	1 1/2	2 11/16	4 1/8	2 3/4
91415WHV	40	1 1/4"	1	10	1 1/4	4 7/16	2 15/16	5 3/4	7/16	5/8	1 1/2	2 11/16	4 1/8	3 1/4
91416WHV	50	1 1/2"	1	10	1 1/2	5 3/16	3 1/2	5 3/4	7/16	5/8	1 1/2	2 11/16	4 1/8	3 1/2
91417WHV	63	2"	1	10	1 1/2	5 3/8	3 1/2	5 3/4	7/16	5/8	1 1/2	2 11/16	4 1/8	3 3/8

*PP-R Sockets are manufactured based on metric units of measurement. Imperial nominal diameter is provided as reference only.
**Overall pressure rating at 73°F. Further restrictions determined by intended operating conditions and limitations specific to the system design. Maximum pressure rating for the seat and body alone is 600 PS.
91417WHV (2" only) is a Reduced Port Valve.



NO.	DESCRIPTION	MATERIAL
1	FLANGED BODY	BRASS
2	END CAP	BRASS w/ PP-R
3	SEATS	PTFE
4	BALL	BRASS HCP
5	STEM	BRASS
6	STEM SEAL	PTFE
7	PACKING GLAND	BRASS
8	HANDLE NUT	STAINLESS STEEL
9	HANDLE JACKET	VINYL
10	DRAIN VALVE SEATS	PTFE
11	DRAIN VALVE BALL	BRASS HCP
12	DRAIN VALVE STEM	BRASS
13	DRAIN VALVE STEM SEAL	PTFE
14	DRAIN VALVE HANDLE	ENAMEL COATED ALUMINUM
15	DRAIN VALVE HANDLE SCREW	BRASS
16	DRAIN VALVE CAP, WASHER & STRAP	BRASS w/ EPDM
17	ROTATING FLANGE	BRASS
18	ROTATING FLANGE RING	STAINLESS STEEL
19	FLANGE BOLTS & NUTS	STEEL ZP

TEMP °F	PSI	TEMP °F	PSI
73	355	130	210
80	337	140	185
90	312	150	164
100	286	160	143
110	261	170	121
120	236	180	100



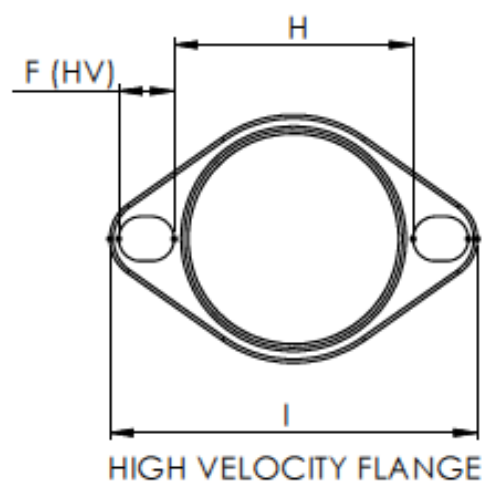
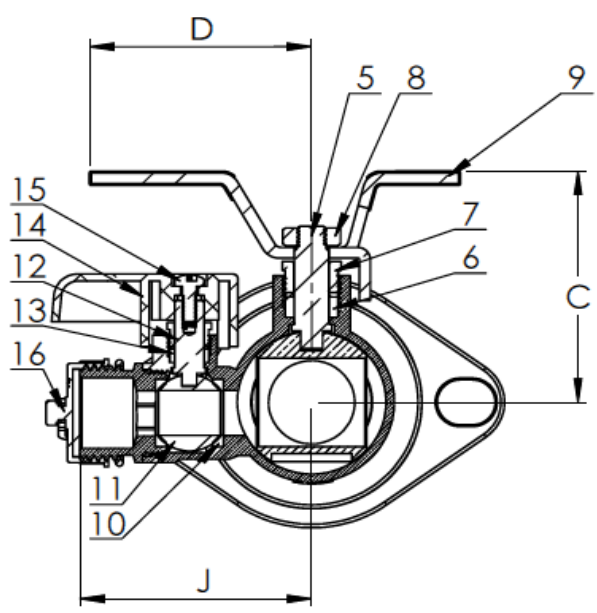
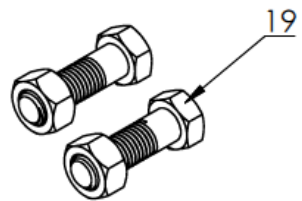
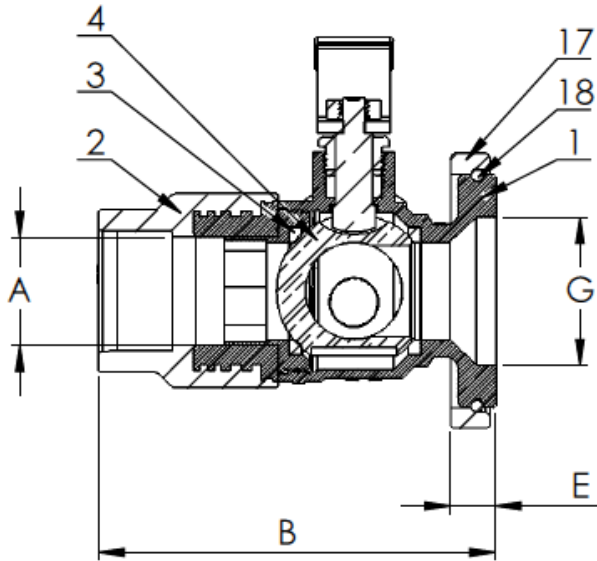
Quality and Commitment Since 1954

www.webstonevalves.com · P: (800) 225-9529 · F: (800) 336-5133

Webstone product specifications in U.S. customary units are approximate and are provided for reference only. Webstone reserves the right to change or modify product design, construction, specifications or materials without prior notice and without incurring any obligation to make such changes and modifications on Webstone products previously or subsequently sold.

THIS SPACE FOR DESIGNER/ENGINEER APPROVAL

Job/Customer _____	Date _____	Contractor _____
Model Specified _____	Qty _____	Approved By _____
Designer/Engineer _____	Date _____	Contractor's PO# _____
Submitted by _____	Date _____	Other _____



Specifications: Designed for residential, commercial or industrial use with water, oil or gas. This approved Webstone valve is actuated by a blowout proof stem and features an adjustable packing gland. Socket end dimensions are in accordance with ASTM F 2389 Metric Series. HV models fit both standard and high velocity pumps. Aquatherm® is a registered trademark of [aquatherm GmbH](http://www.aquatherm.com) used with permission. Visit www.aquatherm.com for additional information related to the PP-R socket ends, PP-R pipe and fittings, and socket fusion welding.



Quality and Commitment Since 1954

www.webstonevalves.com · P: (800) 225-9529 · F: (800) 336-5133

Webstone product specifications in U.S. customary units are approximate and are provided for reference only. Webstone reserves the right to change or modify product design, construction, specifications or materials without prior notice and without incurring any obligation to make such changes and modifications on Webstone products previously or subsequently sold.

THIS SPACE FOR DESIGNER/ENGINEER APPROVAL

Job/Customer _____	Date _____	Contractor _____
Model Specified _____	Qty _____	Approved By _____
Designer/Engineer _____	Date _____	Contractor's PO# _____
Submitted by _____	Date _____	Other _____

10141W Series

**Full Port Forged Brass Uni-Flange Ball Valves
w/ Detachable Rotating Flange, Conical Inlet
& Multi-Function Hi-Flow Hose Drain
Adjustable Packing Gland w/ Nuts & Bolts
Female PP-RCT Metric Socket x Rotating Flange
Manufactured for use with all PP-R & P-RCT Piping Systems
Max. Operating Pressure: 600 PSI**
ISO 9001 - Patented Technology**



Lead free products are certified to NSF/ANSI 61 & NSF/ANSI 372

LEAD FREE ITEM #	METRIC PIPE SIZE	SIZE *	CTN	CASE	A	B	C	D	E	F	G	H	I	J
101413WHV	25	3/4"	1	20	3/4	3 9/16	2 13/16	4	7/16	5/8	1 1/2	2 11/16	4 1/8	2 3/4
101414WHV	32	1"	1	20	1	3 3/4	2 5/8	4	7/16	5/8	1 1/2	2 11/16	4 1/8	2 3/4
101415WHV	40	1 1/4"	1	10	1 1/4	4 7/16	2 15/16	5 3/4	7/16	5/8	1 1/2	2 11/16	4 1/8	3 1/4
101416WHV	50	1 1/2"	1	10	1 1/2	5 3/16	3 1/2	5 3/4	7/16	5/8	1 1/2	2 11/16	4 1/8	3 1/2
101417WHV	63	2"	1	10	1 1/2	5 3/8	3 1/2	5 3/4	7/16	5/8	1 1/2	2 11/16	4 1/8	3 3/8



NO.	DESCRIPTION	MATERIAL
1	FLANGED BODY	BRASS
2	END CAP	BRASS w/ PP-RCT
3	SEATS	PTFE
4	BALL	BRASS HCP
5	STEM	BRASS
6	STEM SEAL	PTFE
7	PACKING GLAND	BRASS
8	HANDLE NUT	STAINLESS STEEL
9	HANDLE JACKET	VINYL
10	DRAIN VALVE SEATS	PTFE
11	DRAIN VALVE BALL	BRASS HCP
12	DRAIN VALVE STEM	BRASS
13	DRAIN VALVE STEM SEAL	PTFE
14	DRAIN VALVE HANDLE	ENAMEL COATED ALUMINUM
15	DRAIN VALVE HANDLE SCREW	BRASS
16	DRAIN VALVE CAP, WASHER & STRAP	BRASS w/ EPDM
17	ROTATING FLANGE	BRASS
18	ROTATING FLANGE RING	STAINLESS STEEL
19	FLANGE BOLTS & NUTS	STEEL ZP

*PP-R Sockets are manufactured based on metric units of measurement. Imperial nominal diameter is provided as reference only. 101417WHV (2" only) is a Reduced Port Valve. **Valve seat/body maximum pressure rating at 100 F. Overall valve pressure rating is determined by intended operating conditions and limitations specific to the system design.



Quality and Commitment Since 1954

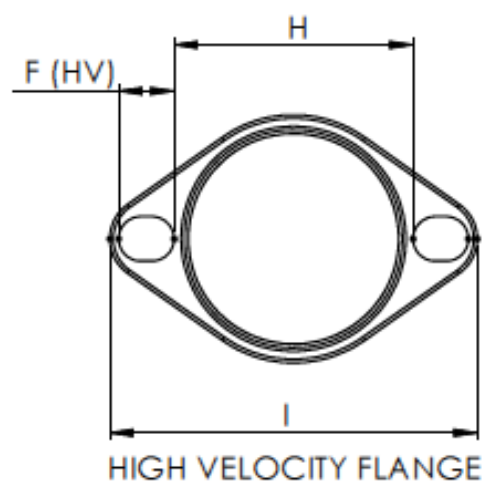
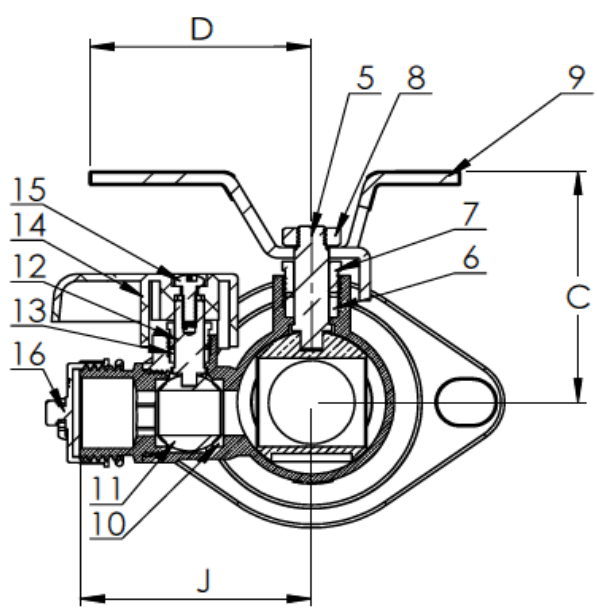
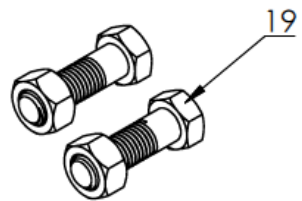
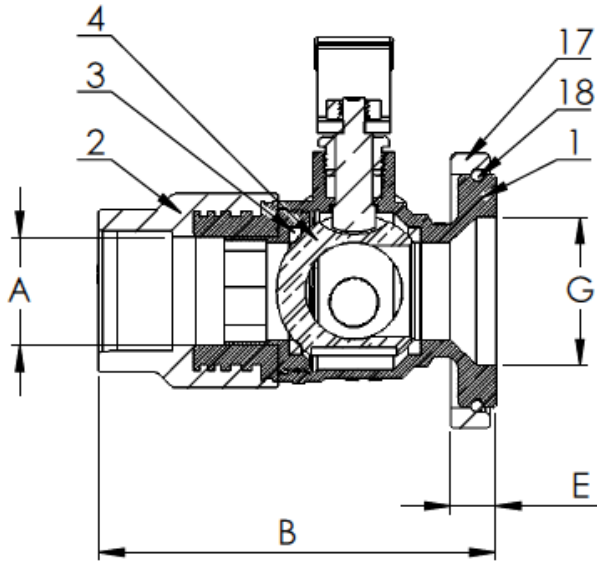
www.webstonevalves.com · P: (800) 225-9529 · F: (800) 336-5133

Webstone product specifications in U.S. customary units are approximate and are provided for reference only. Webstone reserves the right to change or modify product design, construction, specifications or materials without prior notice and without incurring any obligation to make such changes and modifications on Webstone products previously or subsequently sold.

10141Wspec_122815

THIS SPACE FOR DESIGNER/ENGINEER APPROVAL

Job/Customer _____	Date _____	Contractor _____
Model Specified _____	Qty _____	Approved By _____
Designer/Engineer _____	Date _____	Contractor's PO# _____
Submitted by _____	Date _____	Other _____



Specifications: Designed for residential, commercial or industrial use with water, oil or gas. This approved Webstone valve is actuated by a blowout proof stem and features an adjustable packing gland. Socket end dimensions are in accordance with ASTM F 2389 Metric Series. HV models fit both standard and high velocity pumps.



Quality and Commitment Since 1954

www.webstonevalves.com · P: (800) 225-9529 · F: (800) 336-5133

Webstone product specifications in U.S. customary units are approximate and are provided for reference only. Webstone reserves the right to change or modify product design, construction, specifications or materials without prior notice and without incurring any obligation to make such changes and modifications on Webstone products previously or subsequently sold.