
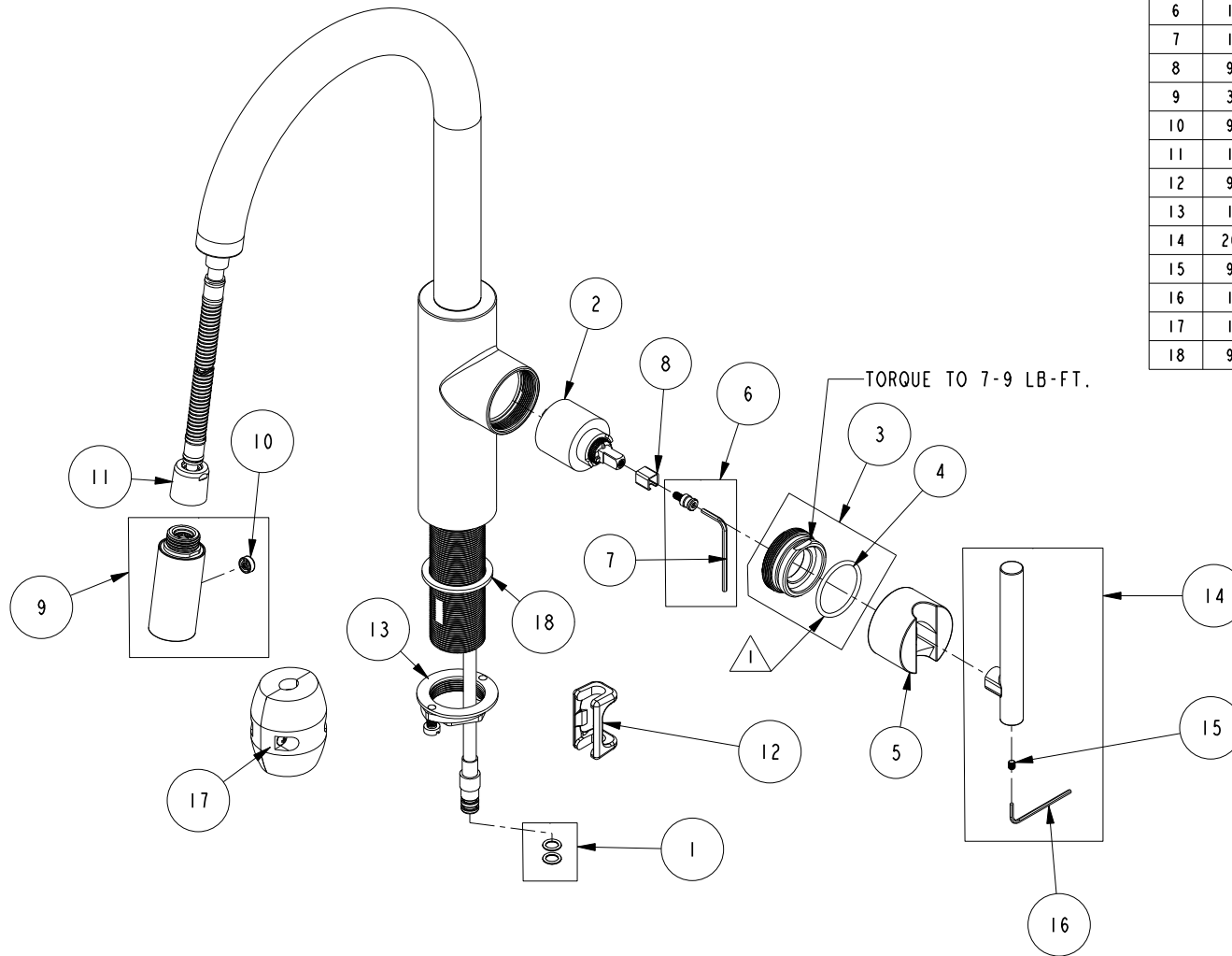


REPLACEMENT PARTS

NOTE:

 USE SILICON GREASE (PART NUMBER 6727) TO LUBRICATE O-RINGS BEFORE INSTALL.

ITEM	PT/ASSY	SPECIFY FINISH	DESCRIPTION
1	1-399		O-RING KIT FOR SPOUT PEX CONECTION
2	1-064		SINGLE LEVER CARTRIDGE
3	2-781		CART. RETAINER ASM
4	91227		O-RING, #2-125 EPDM
5	12823	YES	HANDLE HUB
6	1-519		HANDLE ADAPTER SCREW WITH HEX KEY
7	10159		HEX KEY, 3/32 ALLOY STEEL
8	91534		CARTRIDGE STEM INSERT
9	3-480	YES	SPRAY HEAD, EAST LINEAR
10	91667		BUTTON
11	11877		HOSE, PULLDOWN SWIVEL
12	91568		RETAINER CLIP
13	1-256		MOUNTING KIT
14	20-313	YES	HANDLE LEVER ASM
15	92001		SCRW, 8-32 X 3/16 SKT HD FLT PT SS
16	10192		HEX KEY TOOL, #8 5/64
17	1-286		WEIGHT ASM
18	91139		WASHER RBR 1-3/8



EAST LINEAR PULL DOWN - KITCHEN FAUCET
1500-5113

REV T EN-4766 01/16/24 APPROVED RS

NEWPORT BRASS.

t: 949.417.5207 | www.newportbrass.com