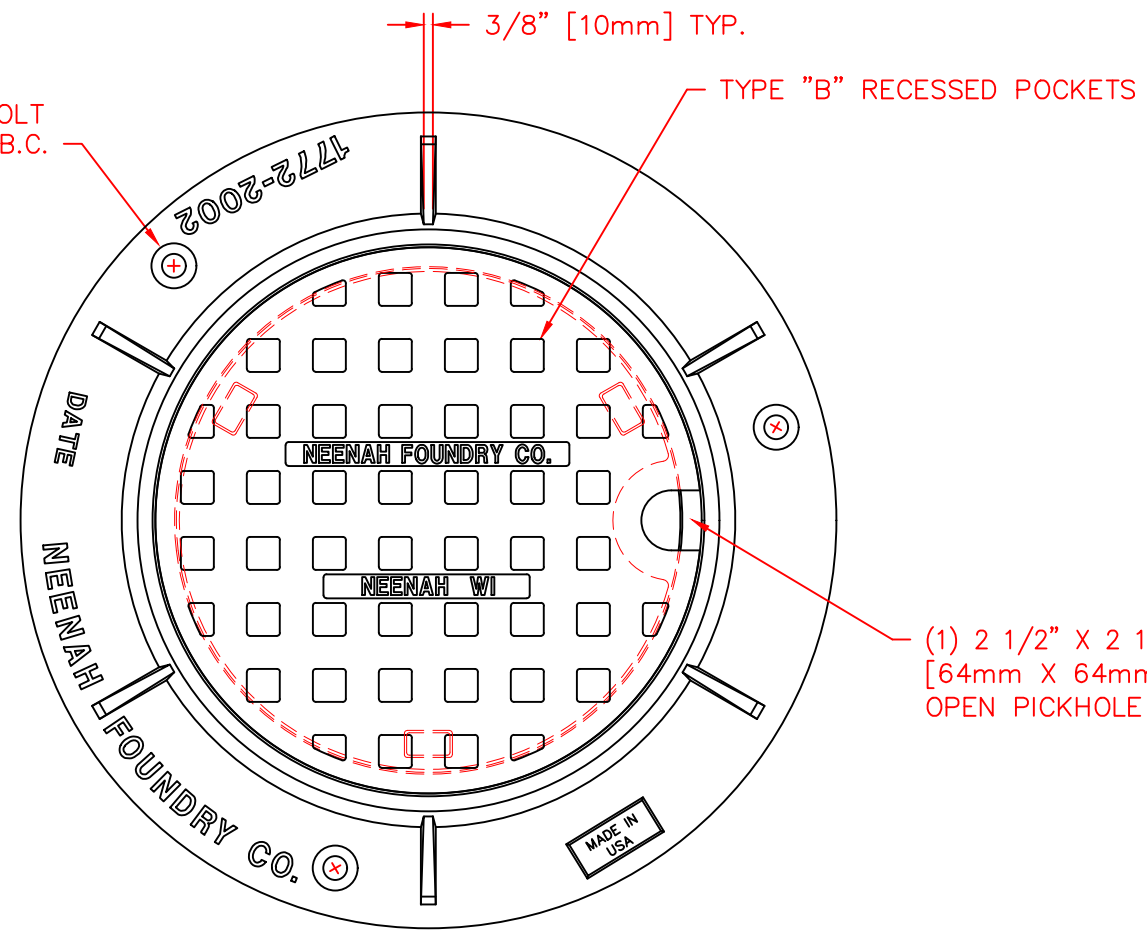
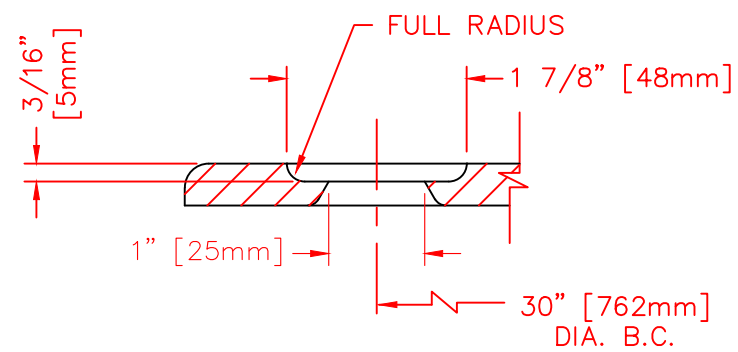
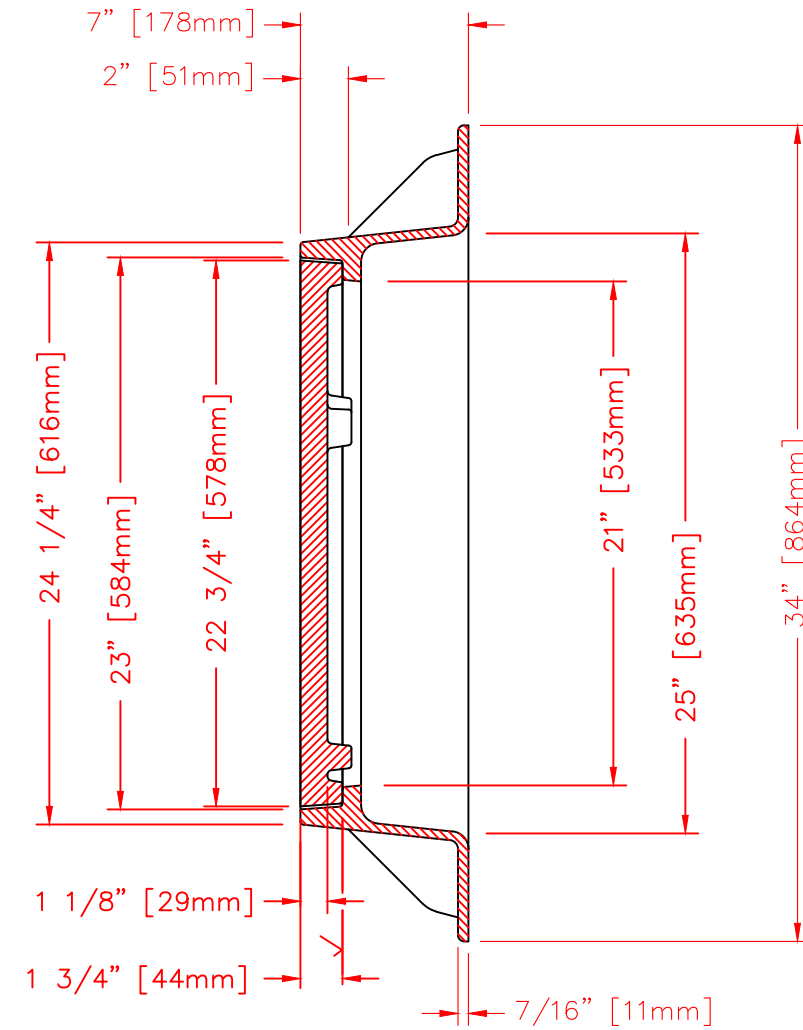


(3) 1" [25mm] DIA. ANCHOR BOLT HOLES ON A 30" [762mm] DIA. B.C.



(1) 2 1/2" X 2 1/2" [64mm X 64mm] OPEN PICKHOLE



ANCHOR HOLE DETAIL
SCALE 1:2

NOTE: ALL DIMENSIONS SHOWN ARE IN ENGLISH AND [METRIC].
 COMPONENT NOS.: FRAME 1772-2002; LID 1015-5000
 MATERIAL: CAST GRAY IRON ASTM A-48, CLASS 35B
 FINISH: NO PAINT
 WEIGHT: FRAME 141#; LID 122#

DR.	CSK	SCALE	TITLE:
CH.		1/8"=1"	R-1772 FRAME AND LID
APP.		DIM CHK.	NEENAH FOUNDRY COMPANY
DATE	06-18-2004		NEENAH WISCONSIN 54956
			NF-1772 100 B