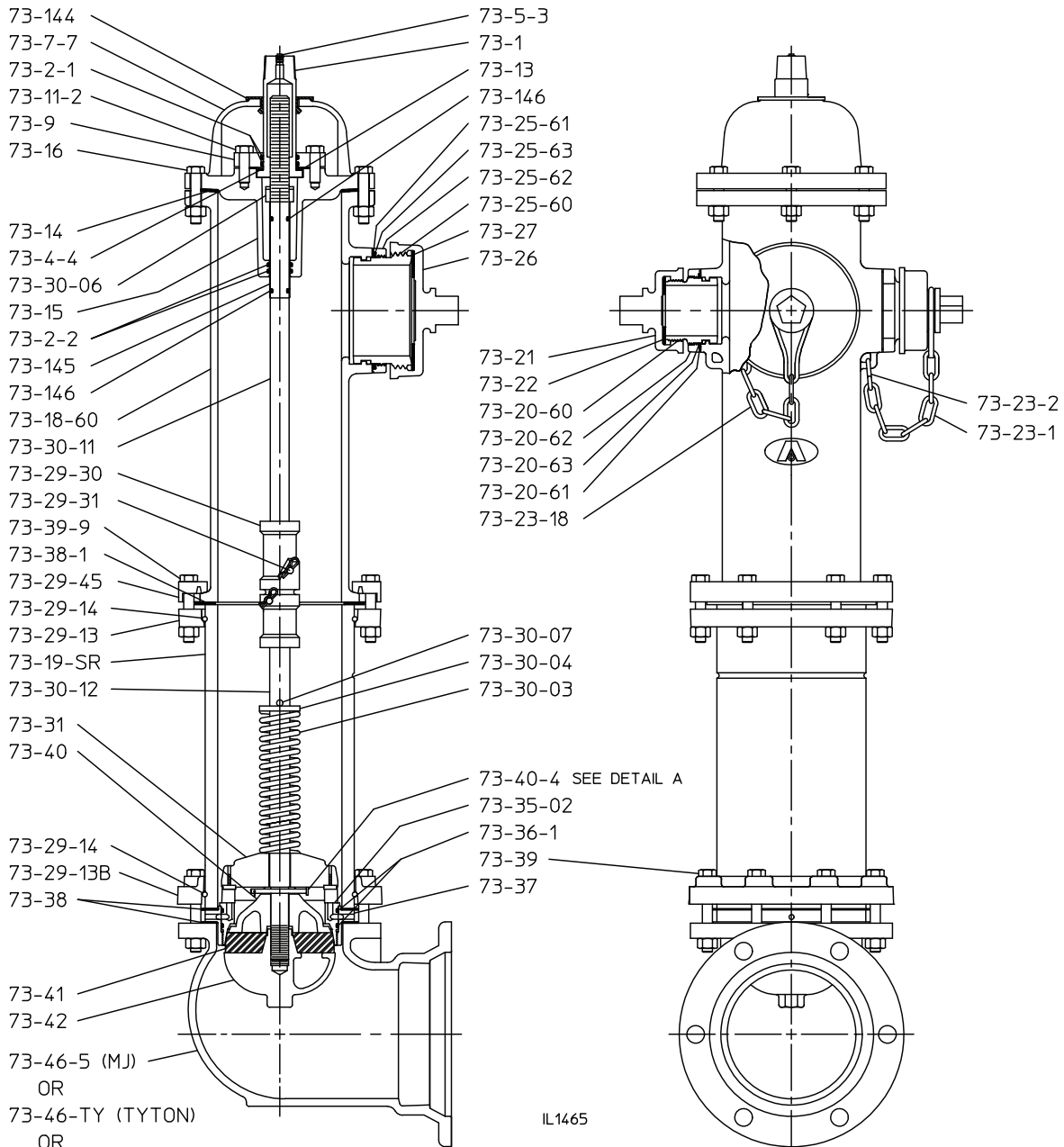
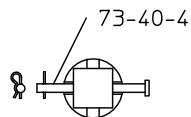


4-1/2" AMERICAN-DARLING® MARK 73-5 PARTS LIST

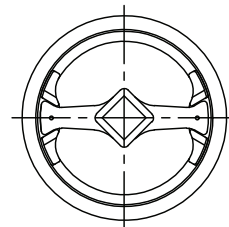


- 73-46-5 (MJ)
- OR
- 73-46-TY (TYTON)
- OR
- 73-46-2 (FLANGED)
- OR
- 73-46-2A (VERTICAL ENTRY)
- OR
- 73-46-PE (MJ PLAIN END)
- OR
- 73-46-AA (ALPHA™)
- OR
- 73-46-AX (ALPHA™ XL)



DETAIL A

TOP VIEW OF CLEVIS PIN & CLIP PIN USED TO SECURE HYDRANT VALVE ASSEMBLY



TOP VIEW OF SEAT AND DRAIN LEVER ASSEMBLY

IL1465

4-1/2" AMERICAN-DARLING® MARK 73-5 PARTS LIST



Part No.	Qty.	Description	Material
73-1	1	Operating Nut	Bronze
73-2-1	2	Cover O-ring	Buna N
73-2-2	2	Housing O-ring	Buna N
73-4-4	1	Thrust Washer	Nylatron
73-5-3	1	Pipe Plug	Stainless Steel
73-7-7	1	Weather Cover	Gray Iron
73-9	1	Housing Cover	Gray Iron
73-11-2	4	Housing Cover Cap Screw	Plated Steel
73-13	1	Housing Cover Gasket	Fiber
73-14	1	Housing Gasket	Composition Rubber
73-15	1	Housing	Ductile Iron
73-16	6	Housing Bolt and Nut	Plated Steel
73-18-60	1	Upper Barrel	Ductile Iron
73-19-SR	1	Lower Barrel	Ductile Iron
73-20-60	2	Hose Nozzle	Bronze
73-20-61	2	Hose Nozzle O-ring Seal	Buna N
73-20-62	2	Hose Nozzle Retainer	Ductile Iron
73-20-63	2	Hose Nozzle Retainer Washer	Teflon
73-21	2	Hose Cap	See Note 8
73-22	2	Hose Cap Gasket	Rubber
73-23-1	1 Per Nozzle	Hose Cap Chain	Steel
73-23-2	1 Per Nozzle	S Hook	Steel
73-23-18	1 Per Nozzle	Pumper Cap Chain	Steel
73-25-60	1 or 0	Pumper Nozzle	Bronze
73-25-61	1 Per Nozzle	Pumper Nozzle O-ring Seal	Buna N
73-25-62	1 Per Nozzle	Pumper Nozzle Retainer	Ductile Iron
73-25-63	1 Per Nozzle	Pumper Nozzle Retainer Washer	Teflon
73-26	1 Per Nozzle	Pumper Cap	See Note 8
73-27	1 Per Nozzle	Pumper Cap Gasket	Rubber
73-29-13	1	Barrel Flange	Ductile Iron
73-29-13B	1	Base Flange	Ductile Iron
73-29-14	2	Snap Ring	Stainless Steel
73-29-30	1	Rod Coupling	Epoxy Coated Gray Iron
73-29-31	2	Rod Coupling Pin and Clip Pin	Stainless Steel
73-29-45	1	Breakable Flange	Gray Iron
73-30-03	1	Spring	Stainless Steel
73-30-04	1	Spring Plate	Stainless Steel
73-30-06	1	Travel Stop Nut	Bronze
73-30-07	1	Spring Plate Pin	Stainless Steel
73-30-11	1	Upper Rod	Steel
73-30-12	1	Lower Rod	Steel
73-31	1	Drain Lever	Bronze
73-35-02	1	Hydrant Seat	Bronze
73-36-1	2	Hydrant Seat O-ring	Buna N
73-37	1	Drain Ring	Bronze
73-38	2	Drain Ring Gasket	Composition Rubber
73-38-1	1	Barrel Gasket	Composition Rubber
73-39	8	Base Bolt and Nut	Stainless Steel

4-1/2" AMERICAN-DARLING® MARK 73-5 PARTS LIST



Part No.	Qty.	Description	Material
73-39-9	8	Barrel Bolt and Nut	Plated Steel
73-40	1	Valve Top	Ductile Iron
73-40-1*	2	Valve Top Facing	Polyethylene
73-40-2*	4	Facing Screws	Steel
73-40-4	1	Valve Top Clevis and Clip Pin	Stainless Steel
73-41	1	Hydrant Valve	EPDM Rubber
73-42	1	Valve Bottom	Ductile Iron
73-46-2	1	Flanged Base	Ductile Iron
73-46-2A	1	Vertical Entry Base	Ductile Iron
73-46-5	1	Mechanical Joint Base	Ductile Iron
73-46-PE	1	Mechanical Joint Plain End Base	Ductile Iron
73-46-TY	1	TYTON® Base	Ductile Iron
73-46-6AA	1	ALPHA™ Restraint Joint Base	Ductile Iron
73-46-6AX	1	ALPHA™ XL Restraint Joint Base	Ductile Iron
73-144	1	Weather Shield	Rubber
73-145	1	Rod Sleeve	Bronze
73-146	2	Sleeve O-ring	Buna N
73-36-1	2	Hydrant Seat O-ring	Buna N

* parts use in MK73 & MK73-1 only

Notes

- Size and shape of nut on operating nut and cap, threading on nozzles and caps, and the direction of opening made to specifications.
- Cap chains are not furnished unless specified.
- Working pressure 250 psig. Factory test pressure 500 psig.
- Hydrant meets or exceeds the ANSI/AWWA C502 standard.
- Upper barrel can be rotated 360°.
- UL Listed and Approved by FM Approvals at 250 psig in allowable configurations.
- Certified as complying with Certified to NSF/ANSI 61 and NSF/ANSI 372, which exhibit compliance with the U.S. Safe Drinking Water Act
- National Standard and other common cap configurations are constructed of ductile iron. Other offerings may be constructed of gray cast iron.
- Nominal turns to open is 19 1/2.
- TYTON® is a registered trademark of United States Pipe and Foundry Co., LLC.
- ALPHA™ is a trademark of Romac Industries, Inc. (U.S. Patent 8,894,100)

ALPHA restraint joints will accommodate the following pipe types and sizes:

ALPHA

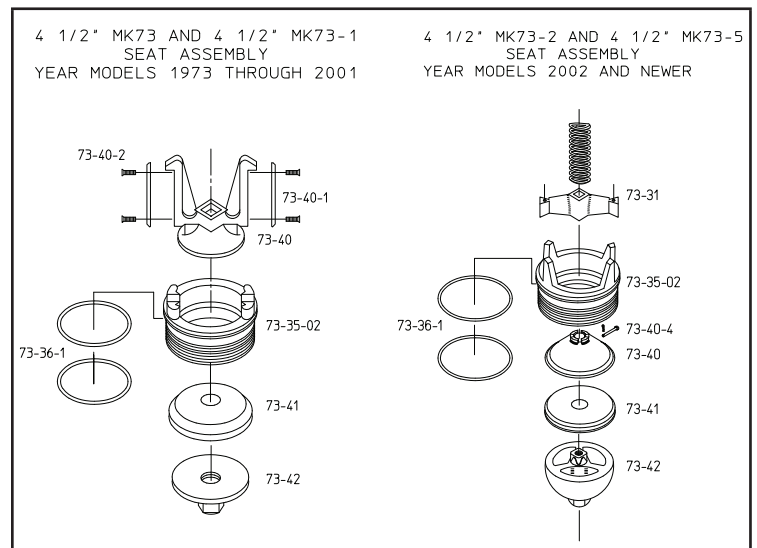
- Ductile iron per AWWA C151
- PVC per ASTM D1785 (Schedule 40 and 80)
- PVC per ASTM D2241 (SDR 21)
- PVC per AWWA C900
- HDPE per AWWA C906 (SDR 9, 11, 13.5, and 17)

ALPHA XL

- Gray iron (Class A, B, C, and D)

Nominal Size (in)	ALPHA OD Range (in)	ALPHA XL OD Range (in)
6	6.60 - 7.00	6.90 - 7.10

MARK 73, 73-1, 73-2 & 73-5 VALVE COMPARISON



Spare Parts

Spare parts shall include the following:

O-ring for housing, O-ring for housing cover, O-ring for nozzles, barrel flange gasket, base flange gasket, main valve seat gasket or O-ring, hydrant valve and cap gaskets.

Traffic model hydrants also include traffic repair kits.