

Features

- Frameless design emphasizes glass and creates a sleek, minimalist look.
- Frameless, 5/16" (8 mm) thick Frosted tempered glass door.
- Self-closing mechanism offers superior performance and security against water leakage.
- No top header eliminates clearance issues.
- CleanCoat® technology creates a barrier between the water and glass to help keep your shower door looking new.

Material

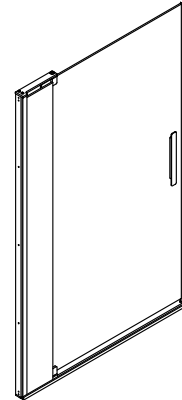
- Anodized aluminum hardware prevents rusting or corrosion.
- Tempered glass ensures maximum safety and durability.

Installation

- Out-of-plumb adjustability allows for simpler installation.
- Can be installed to open to the left or right.

Components

Additional included component/s: Hardware Kit.



Codes/Standards




ASTM C1036
ASTM C1048
ANSI Z97.1 (Tempered Glass)
CPSC 16CFR 1201

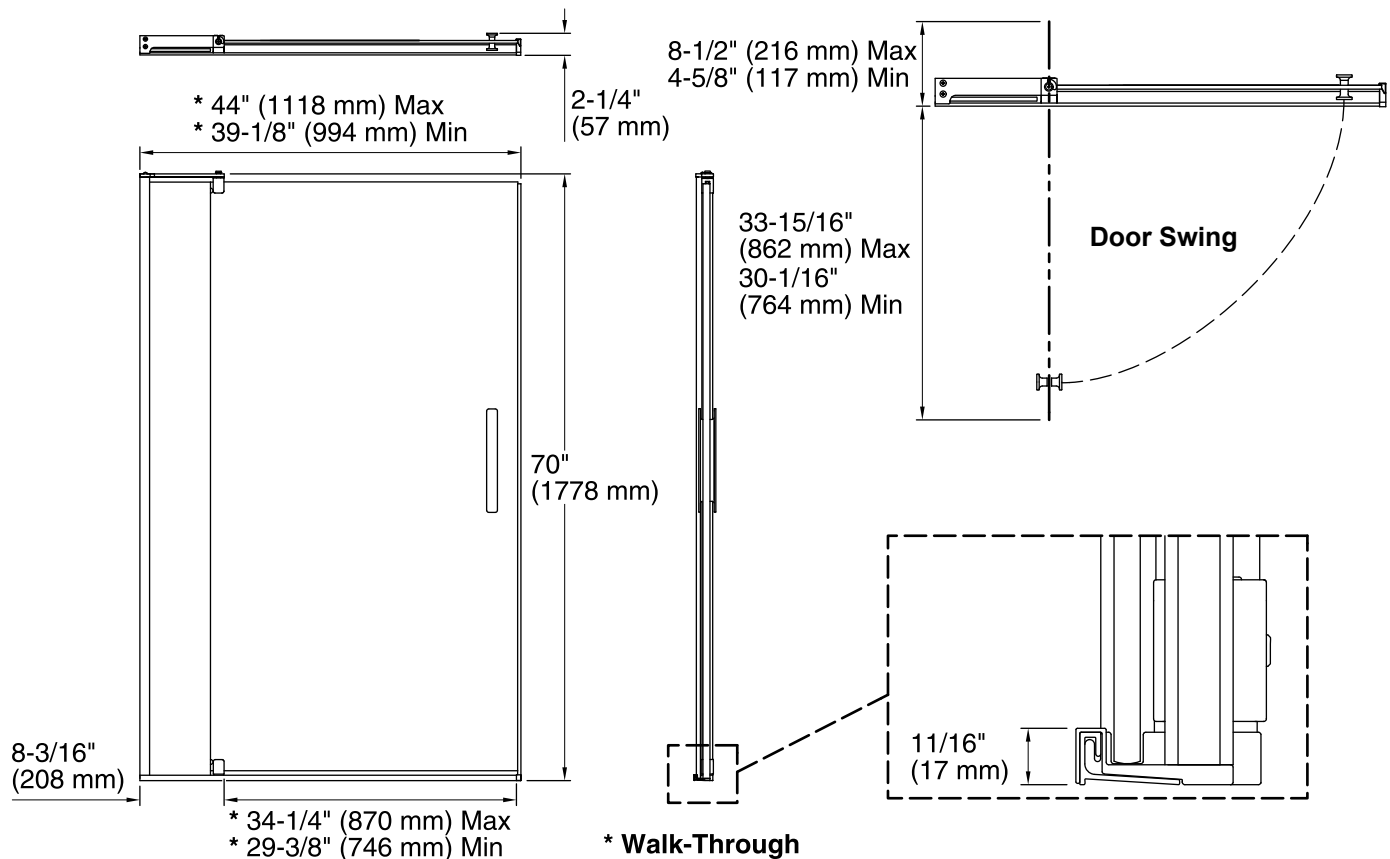
KOHLER® One-Year Limited Warranty

See website for detailed warranty information.

Available Color/Finishes

Color tiles intended for reference only.

Color	Code	Description
	SHP	Bright Polished Silver
	ABZ	Anodized Dark Bronze
	BNK	Anodized Brushed Nickel



Technical Information

All product dimensions are nominal.

Installation type: For receptor installation

Opening style: Pivot

Opening Width - Min: 39-1/8" (994 mm)

Opening Width - Max: 44" (1118 mm)

Walk-through - Min: 29-3/8" (745 mm)

Walk-through - Max: 34-1/4" (869 mm)

Glass thickness: 5/16" (8 mm)

Notes

Install this product according to the installation guide.

Strike jamb is made of clear plastic and may not cover existing shower door holes.

NOTICE: The vertical opening should be a minimum of 74" (1880 mm) to allow clearance for installation.