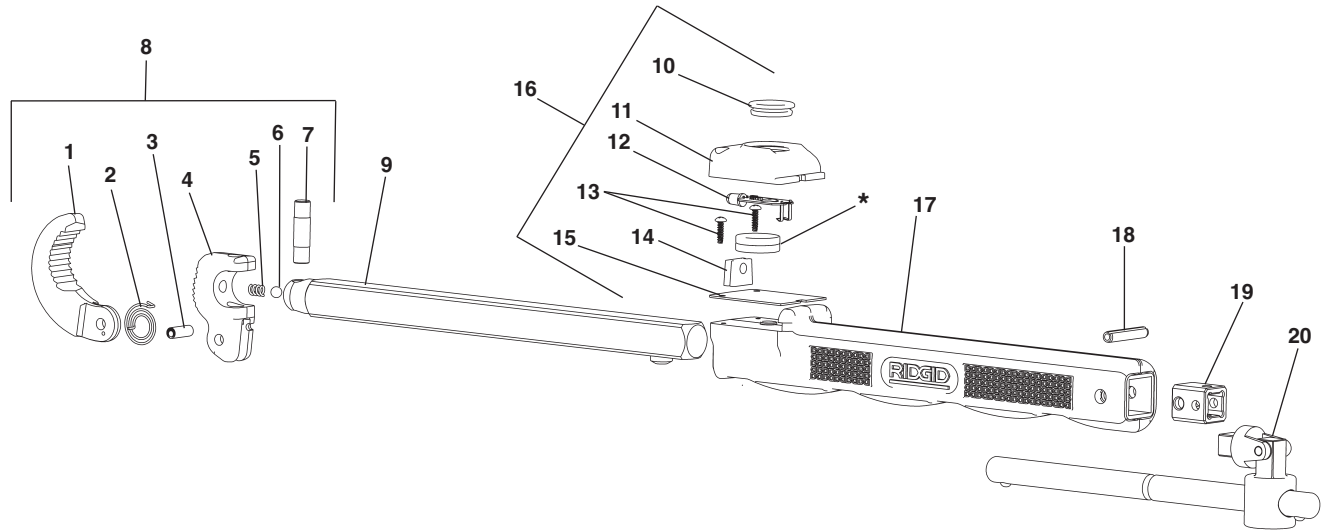


2017 Basin Wrench



**NOTE: Order parts by Catalog Number only.
DO NOT order by Reference Number.**

Ref. No.	Catalog No.	Description
1	32740	Swing Jaw
2	32730	Spirol Spring
3	32475	Spirol Pin .188OD x .50L
4	32710	Fixed Jaw
5	32745	Compression Spring
6	32755	Tension Plug 3/16"
7	32760	Groove Pin
8	32715	Jaw Assembly
9	32765	Slide Bar Assembly
10	48233	Light Button
11	48238	Battery Cover
12	48243	Light PCB
13	48258	Battery Cover Screws (2)
14	49503	Grommet
15	49508	Gasket
16	48263	Battery Cover Assembly
17	48268	Sleeve Assembly
18	36387	Roll Pin
19	48273	Handle Adapter
20	48283	T-Handle Assembly

*CR2032 Batteries Required (2)