

3636CS – A² COMPOSITE SHOWER

36 x 36 x 76 inches

A² COMPOSITE

Lightweight and durable, our A² Composite is an engineered compound of resin, glass and special fillers formed into sheets. These sheets are then placed under high pressure and heat to liquify the compound, allowing it to flow and take the shape of almost any form imaginable. The results are simple, stylish and a snap to install.



AQUATIC ADVANTAGE

- National distribution
- 6 manufacturing facilities
- Private fleet
- Centralized customer service
- Field support



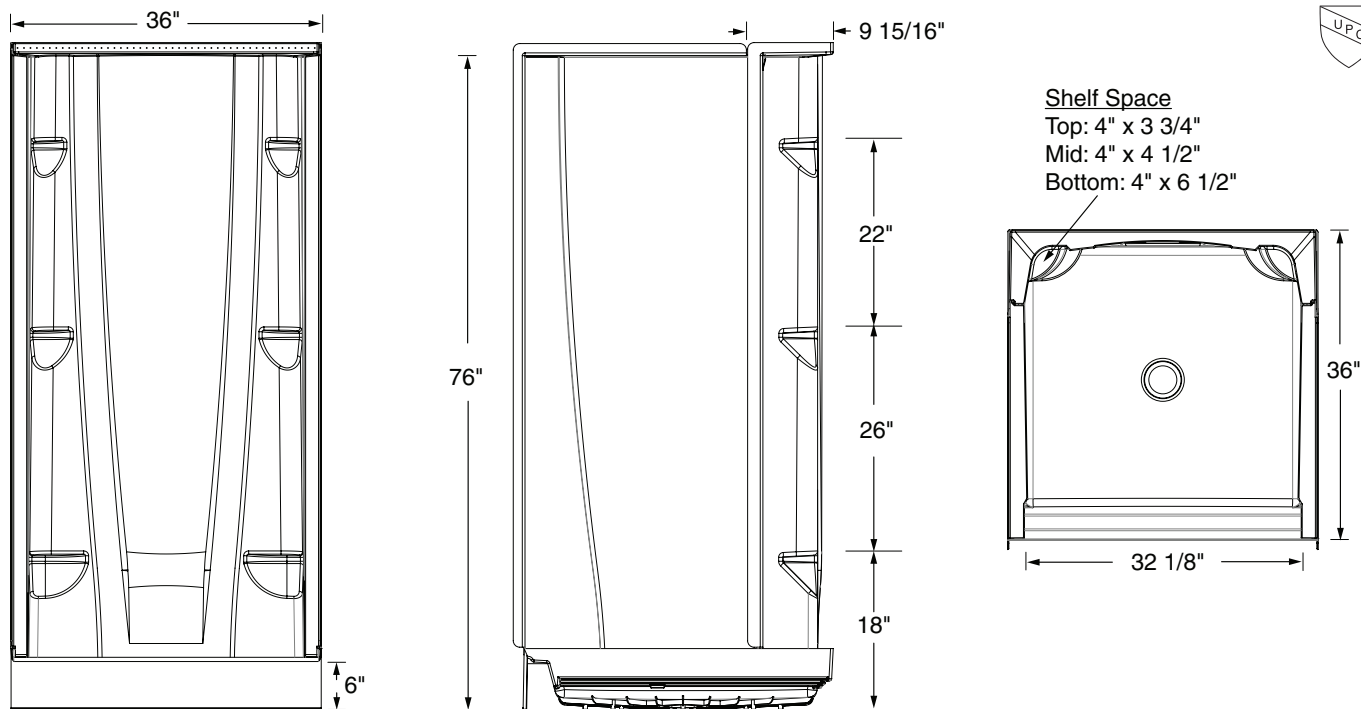
FEATURES

- Durable high gloss finish
- Smooth wall, 4 piece molded sectionals
- Pre-Leveled base
- Caulkless Installation
- Leakproof right angle joint flanges
- Easy Wedge & Lock Installation
- Multiple integral soap shelves
- Center drain
- Slip resistant, textured bottom
- Available with Age-in-Place backing
- Available in White and Biscuit
- 15-year residential limited warranty



3636CS

36 x 36 x 76 inches



FEATURES

lbs Dimensional Tolerance $\pm \frac{3}{8}$ ". Dimensions needed for site preparation should be measured from the unit. Aquatic assumes no responsibility for preparatory work.

Model #	Material	Wall Finish	Pieces	Drain	Seat	Net Wt.	Pkg. Wt.
Shower #3636CS	Composite	Smooth	4	Center	-	109	124

DIMENSIONS

Specifications	inches
Width: Overall / Net	36
Depth: Overall / Net	37 1/8 / 36
Height: Overall / Net	77 3/8 / 76
Enclosure Opening	32 1/8
Skirt Height	6
Drain Rough-In (from Back Wall)	17 1/2
Drain Rough-In (from Side Wall)	18
Drain: Diameter / Clearance	3 1/4 / 3/8

FRAMING DIMENSIONS

Type	D Depth	W Width	H Height	A	B	C
Alcove	37 1/8	36	-	Box Out	18	17 1/2

