

KitchenAid®

BOTTOM MOUNT FRENCH DOOR REFRIGERATOR

MODELS:

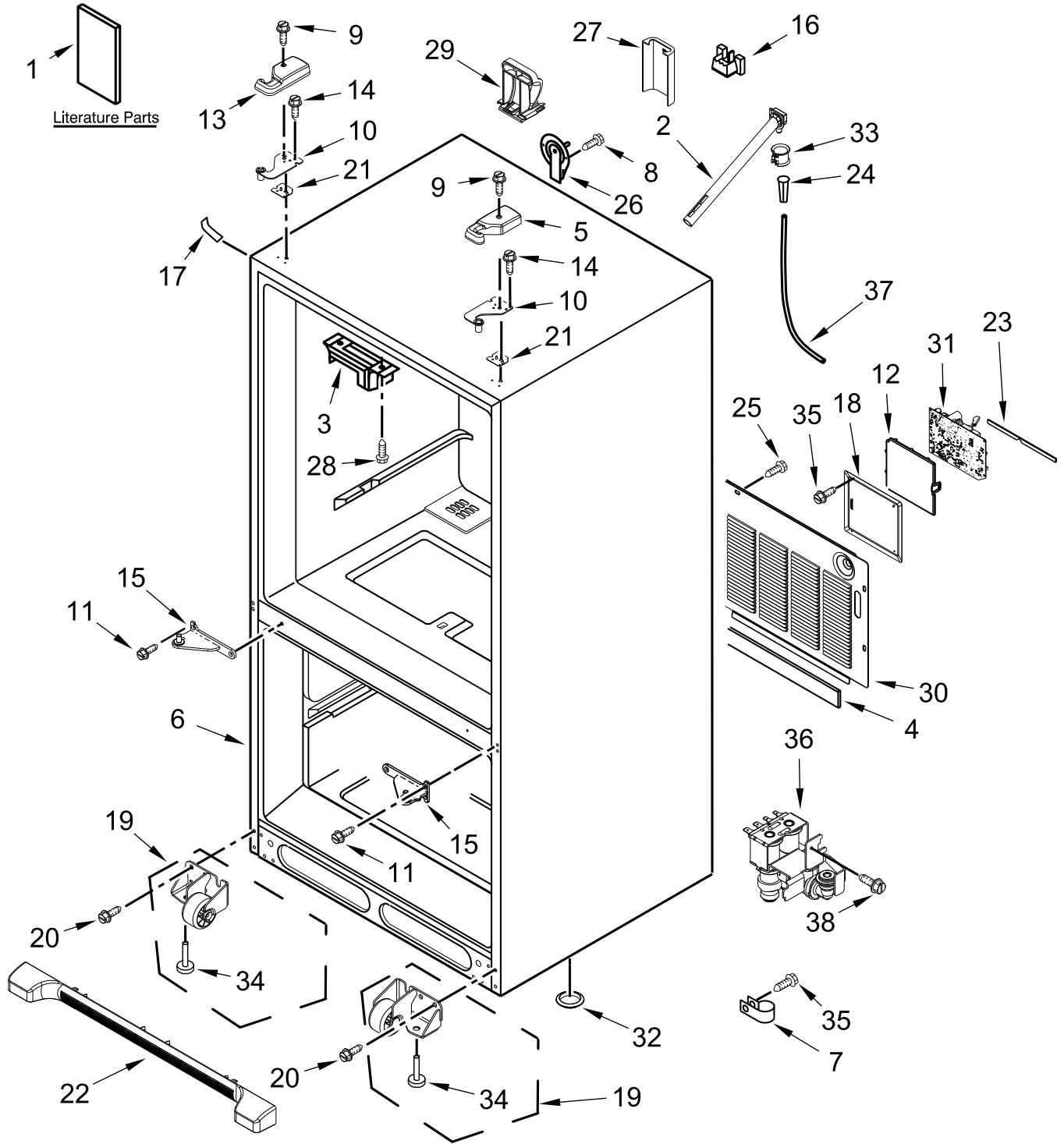
KRFF305EWH00 (White)

KRFF305EBL00 (Black)

KRFF305ESS00 (Stainless Steel)

KRFF305EBS00 (Black Stainless Steel)

CABINET PARTS



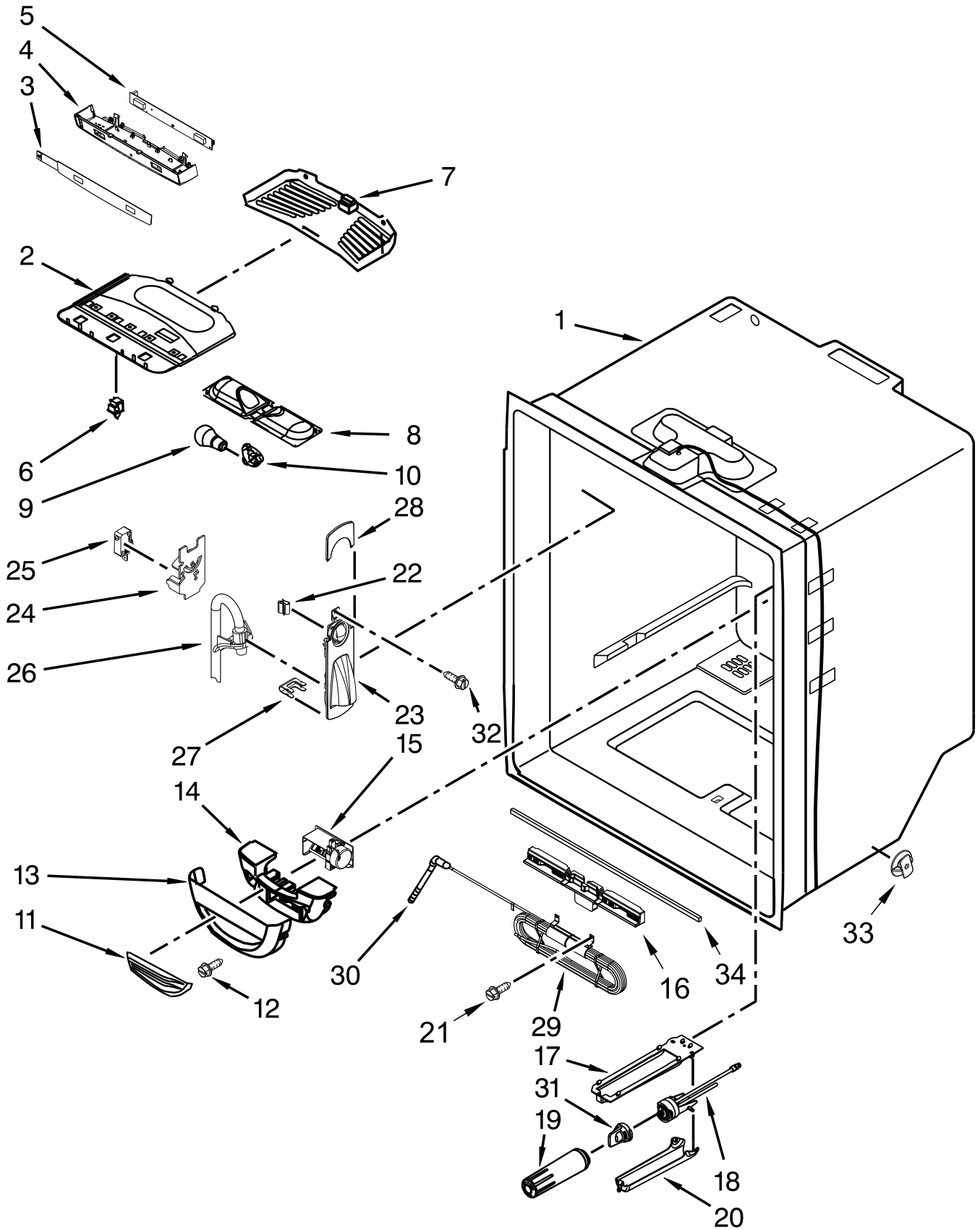
CABINET PARTS

<u>Illus. No.</u>	<u>Part No.</u>	<u>Description</u>
1		Literature Parts
	W10544193	Tech Sheet
	W10635370	Use and Care Guide
	W10739662	Energy Guide
2	10463203	Elbow, Fill Tube
3	12698403	Plate, Pivot
4	B5759655	Gasket
5		Cover, Right Hinge
	12962302W	White
	12962302B	Black
	12962302AP	Grey
6		Cabinet (Not A Serviceable Part)
7	M0108107	Clamp, Tube
8	12990504	Screw
9	12992602	Screw
10		Hinge, Top
	12963204ED	Left Hand
	12963205ED	Right Hand
11	W10673840	Screw (Stainless)
12	W10296541	Lid, HV Control Box
13		Cover, Left Hinge
	12962301W	White
	12962301B	Black
	12962301AP	Grey

<u>Illus. No.</u>	<u>Part No.</u>	<u>Description</u>
14	12992403	Screw
15		Hinge, Center (Left)
	13000001WD	White
	13000007ED	Black
	13000001AP	Grey
		Hinge, Center (Right)
	13000002WD	White
	13000008ED	Black
	13000002AP	Grey
16	W10658542	Block, Fill Tube
17		Cover, Corner
	12587703W	White
	12587703B	Black
	12587703AP	Grey
18	12961602	Cover, Control Box
19		Assembly, Roller
	W10515763	Left Hand
	W10515762	Right Hand
20	W10709365	Screw
21		Shim, Hinge
	12999501	Left Hand
	12999502	Right Hand

<u>Illus. No.</u>	<u>Part No.</u>	<u>Description</u>
22		Grille, Toe
	W10534154	White
	W10534153	Black
	W10534155	Grey
23	12957801SP	Gasket, HV Box
24	A3223101	Insert, Tube
25	12990511	Screw
26	12726003	Cover, Water Line
27	W10208593	Guard, Dual Water Valve
28	12990302	Screw
29	W10528513	Sweep, Dual Tube
30	W10211855	Cover, Unit
31	W10317076	Board, HV Control
32		Plug, Button
	A3076901	Black
33	M0114003	Clip, Speed
34	W10141622	Brake, Roller
35	12990702	Screw
36	W10420083	Valve, Water Inlet
37	B5705333	Tubing, Plastic
38	12991604	Screw

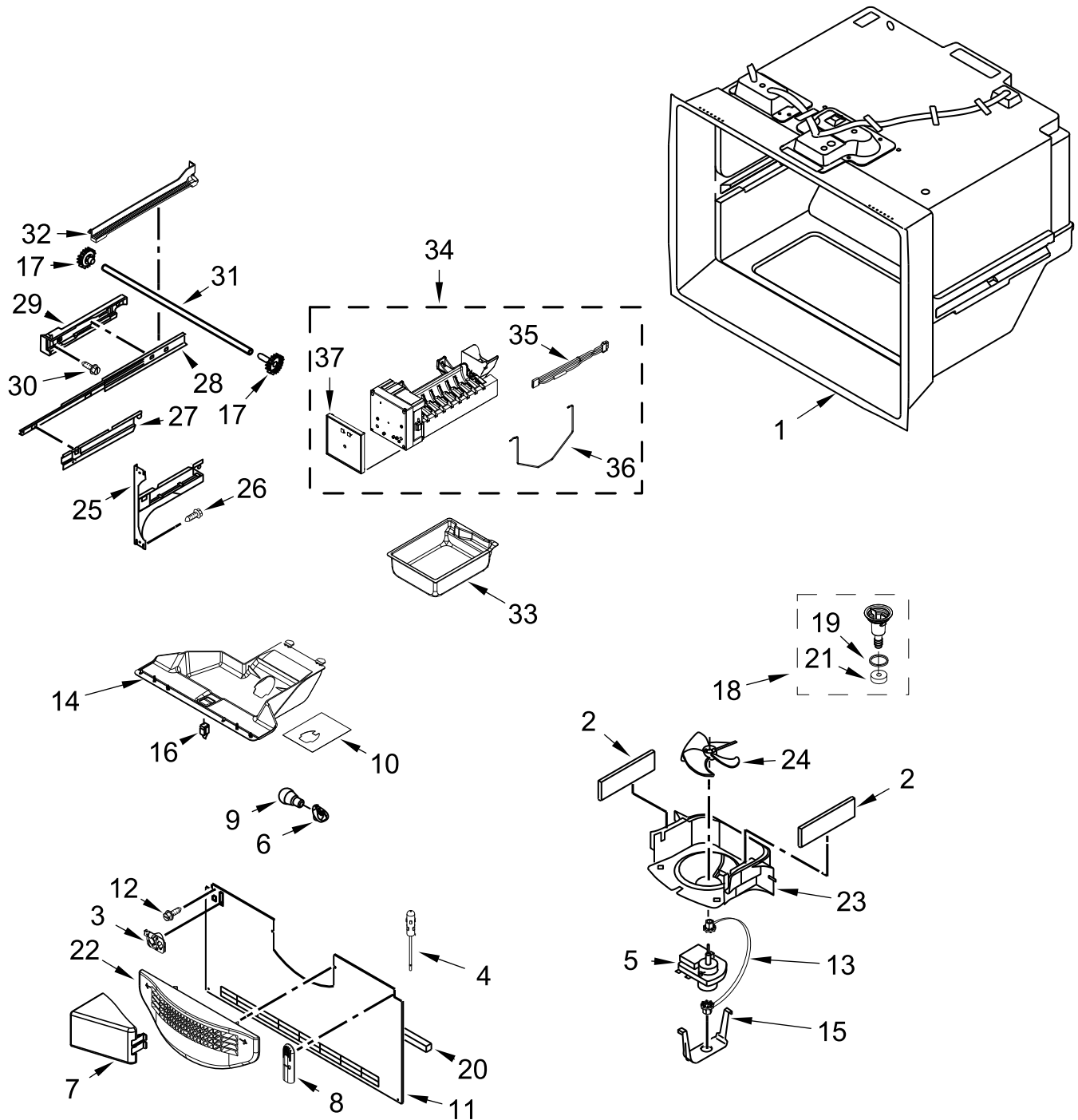
REFRIGERATOR LINER PARTS



REFRIGERATOR LINER PARTS

<u>Illus.</u> <u>No.</u>	<u>Part No.</u>	<u>Description</u>	<u>Illus.</u> <u>No.</u>	<u>Part No.</u>	<u>Description</u>	<u>Illus.</u> <u>No.</u>	<u>Part No.</u>	<u>Description</u>
1		Liner (Not A Serviceable Part)	14	13012402	Insulation, Damper	26	12707206	Guide, Waterline
2	W10464764	Module, Light	15	W10594329	Control, Damper	27	12251001	Clip, Water Tube
3	W10746278	Overlay	16	W10117358	Insulation, Water Tank	28	12707005	Facade, Dispenser (Top)
4	W10464767	Module, Control	17	12704801	Plate, Filter	29	12706112	Tank, Water
5	W10625524	Board, Control	18	W10609243	Head, Water Filter (Includes Bypass Cartridge)	30	61006182	Union, Water
6	C3680310V	Switch, Light	19	W10735404	Filter, Water	31	12664501SP	Cartridge, Bypass
7	12806501	Cover, Light	20	12568001	Cover, Filter	32	12990513	Screw
8	W10443023	Housing, Light	21	12990512	Screw	33	W10190541	Mount, Crisper Support
9	W10820003	Lamp, Led	22	B8390302	Clip, Facade	34	10685510	Gasket, Seal
10	12570701V	Socket, Light	23	W10585703	Facade, Dispenser			
11	12806801	Insert, Damper Cover	24	W10585699	Plate, Dispenser			
12	12990604	Screw	25	12575501	Switch, Limit			
13	12806701	Cover, Damper						
								Following Parts Not Illustrated
							W10224292	Harness, Controls (Refrigerator)

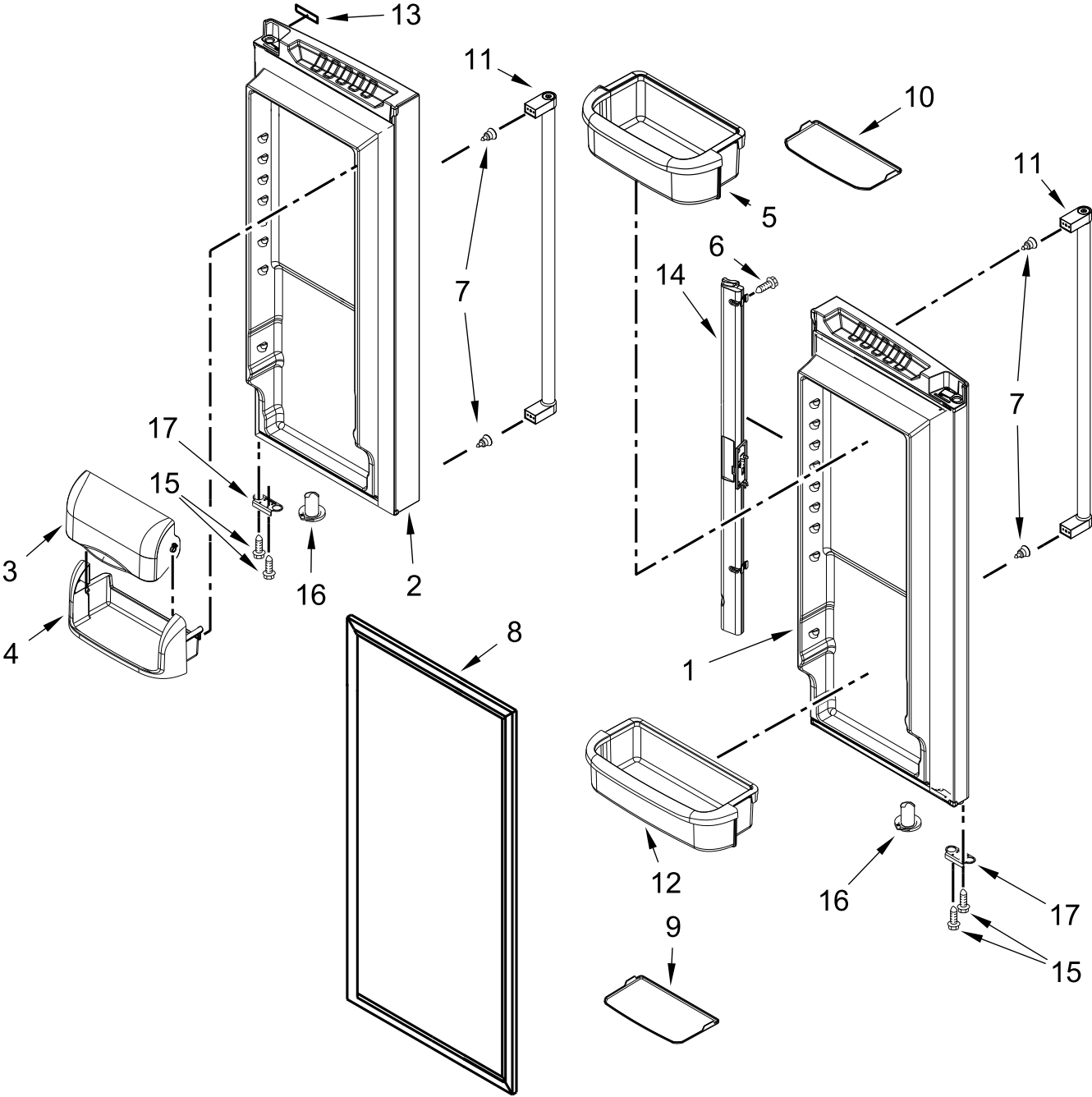
FREEZER LINER AND ICEMAKER PARTS



FREEZER LINER AND ICEMAKER PARTS

<u>Illus.</u> <u>No.</u>	<u>Part No.</u>	<u>Description</u>	<u>Illus.</u> <u>No.</u>	<u>Part No.</u>	<u>Description</u>	<u>Illus.</u> <u>No.</u>	<u>Part No.</u>	<u>Description</u>
1		Liner (Not A Serviceable Part)	16	12466105	Switch, Light	28	W10120018	Slide, Door
2	A3189392	Gasket, Foam	17	12002497	Gear	29		Adapter, Slide
3	12932103	Guide, Fill Tube	18	W10662407	Assembly, Drain Funnel		W10284684	Left Hand
4	12791419SP	Thermistor	19	M0500703	Seal		W10284685	Right Hand
5	13062901	Motor, Evaporator	20	A3189397	Gasket, Foam	30	12990501	Screw
6	12570701	Socket, Light	21	B8381501	Gasket, Drain	31	W10802332	Shaft, Rack
7	W10157765	Diverter, Air	22	13024803	Grille, Freezer Air	32		Rack, Side
8	12815301	Cover, Thermistor	23	13057901	Shroud, Evaporator Fan		W10516603	Left Hand
9	W10820003	Lamp, Led	24	2169142	Blade, Fan		W10516602	Right Hand
10	W10277466	Foil, Housing	25		Bracket, Door	33	W10740448N	Pan, Ice
11	W10308416	Cover, Evaporator		W10330991	Left Hand	34	W10793298	Assembly, Icemaker (Complete)
12	12990511	Screw		W10330993	Right Hand	35	W10793621	Harness, Icemaker Wire
13	W10150583	Grommet, Fan Motor	26	12990521	Screw	36	W10202524	Arm, Shut Off
14	W10277025	Module, Light	27		Cradle, Basket	37	W10289690	Cover, Icemaker
15	13058002	Clip, Evaporator Motor		W10280608	Left Hand			
				W10280613	Right Hand			

REFRIGERATOR DOOR PARTS



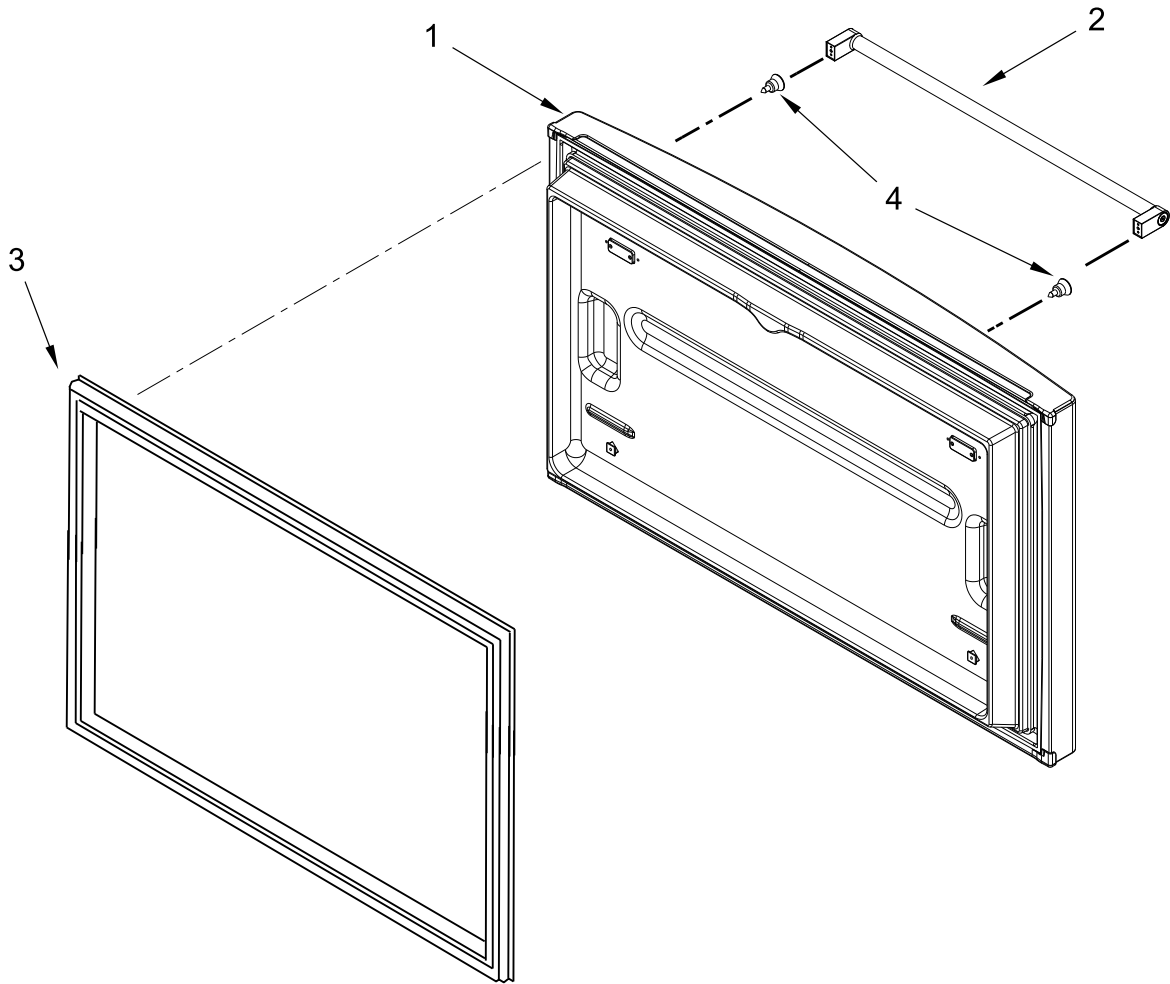
REFRIGERATOR DOOR PARTS

<u>Illus.</u> <u>No.</u>	<u>Part No.</u>	<u>Description</u>
1		Door, Left
	13107888W	White
	13107888B	Black
	13107888S	Stainless
	W10879200	Black Stainless
2		Door, Right
	13107887W	White
	13107887B	Black
	13107887S	Stainless
	W10879190	Black Stainless
3	12804701SP	Door, Dairy
4	12369502SP	Tray, Dairy
5	W10371194	Bucket, Medium

<u>Illus.</u> <u>No.</u>	<u>Part No.</u>	<u>Description</u>
6	12990204	Screw
7	W10460893	Screw
8		Gasket, Door
	W10830189	White
	W10830206	Black
	W10830162	Grey
9	W10449760	Gripper, Gallon
10	W10450021	Gripper, Medium
11		Handle, Door
	W10775000	Stainless
12	W10289497	Bucket, Gallon
13		Nameplate
	W10765861	Grey

<u>Illus.</u> <u>No.</u>	<u>Part No.</u>	<u>Description</u>
14		Mullion, Door
	12722803W	White
	12722803BN	Black
	12722803APN..	Grey
15	12990504	Screw
16		Closure, Door
	12028505W	White
	12028505B	Black
	12028505AP	Grey
17		Stop, Door
	12968202W	White
	12968202B	Black
	12968202AP	Grey

FREEZER DOOR PARTS



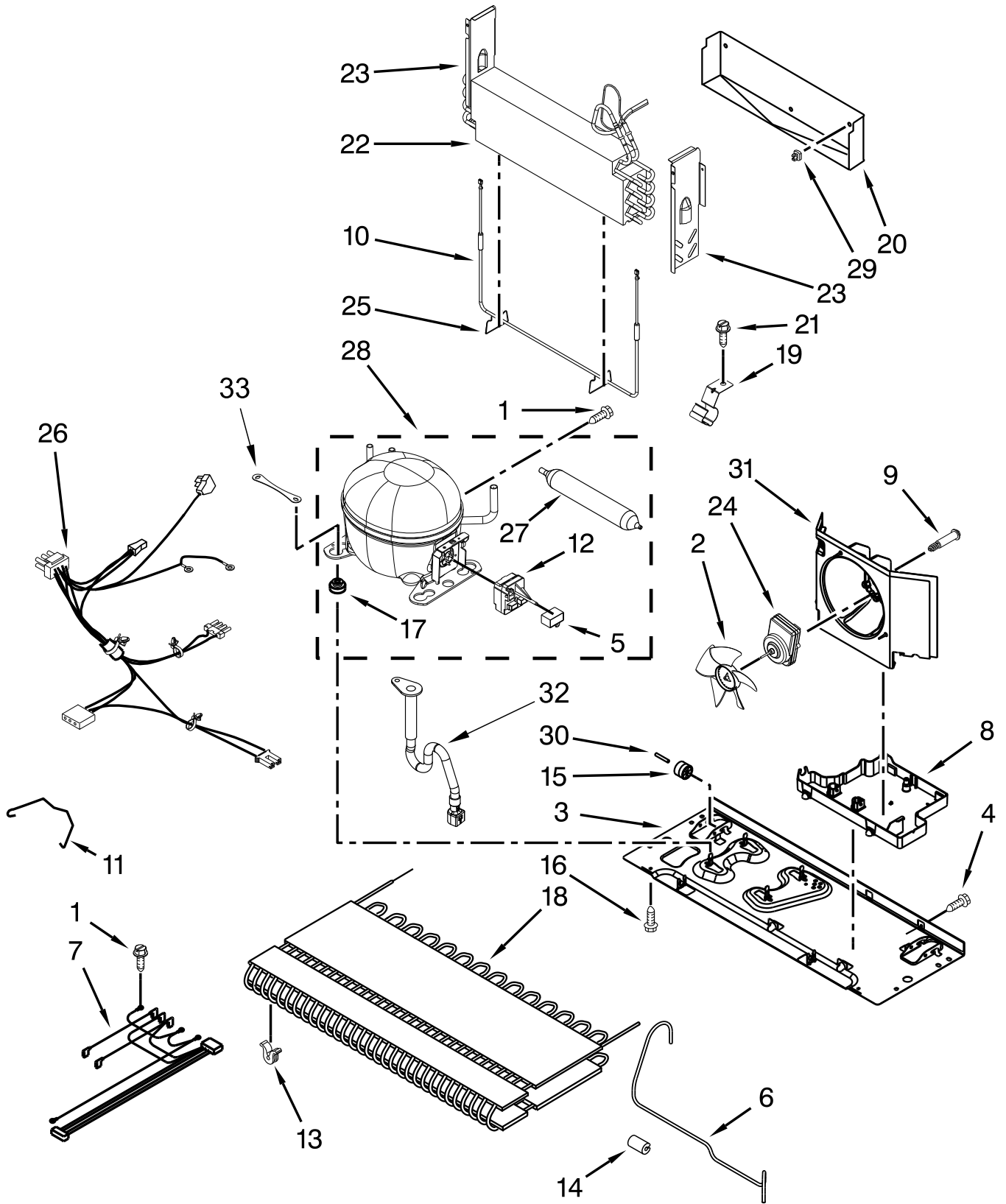
FREEZER DOOR PARTS

<u>Illus.</u> <u>No.</u>	<u>Part No.</u>	<u>Description</u>
1		Door, Freezer
	12977879W	White
	12977878B	Black
	12977880S	Stainless
	W10879185	Black Stainless

<u>Illus.</u> <u>No.</u>	<u>Part No.</u>	<u>Description</u>
2		Handle, Door
	W10772582	Stainless

<u>Illus.</u> <u>No.</u>	<u>Part No.</u>	<u>Description</u>
3		Gasket, Door
	W10443319	White
	W10436252	Black
	W10443320	Grey
4	W10460893	Screw

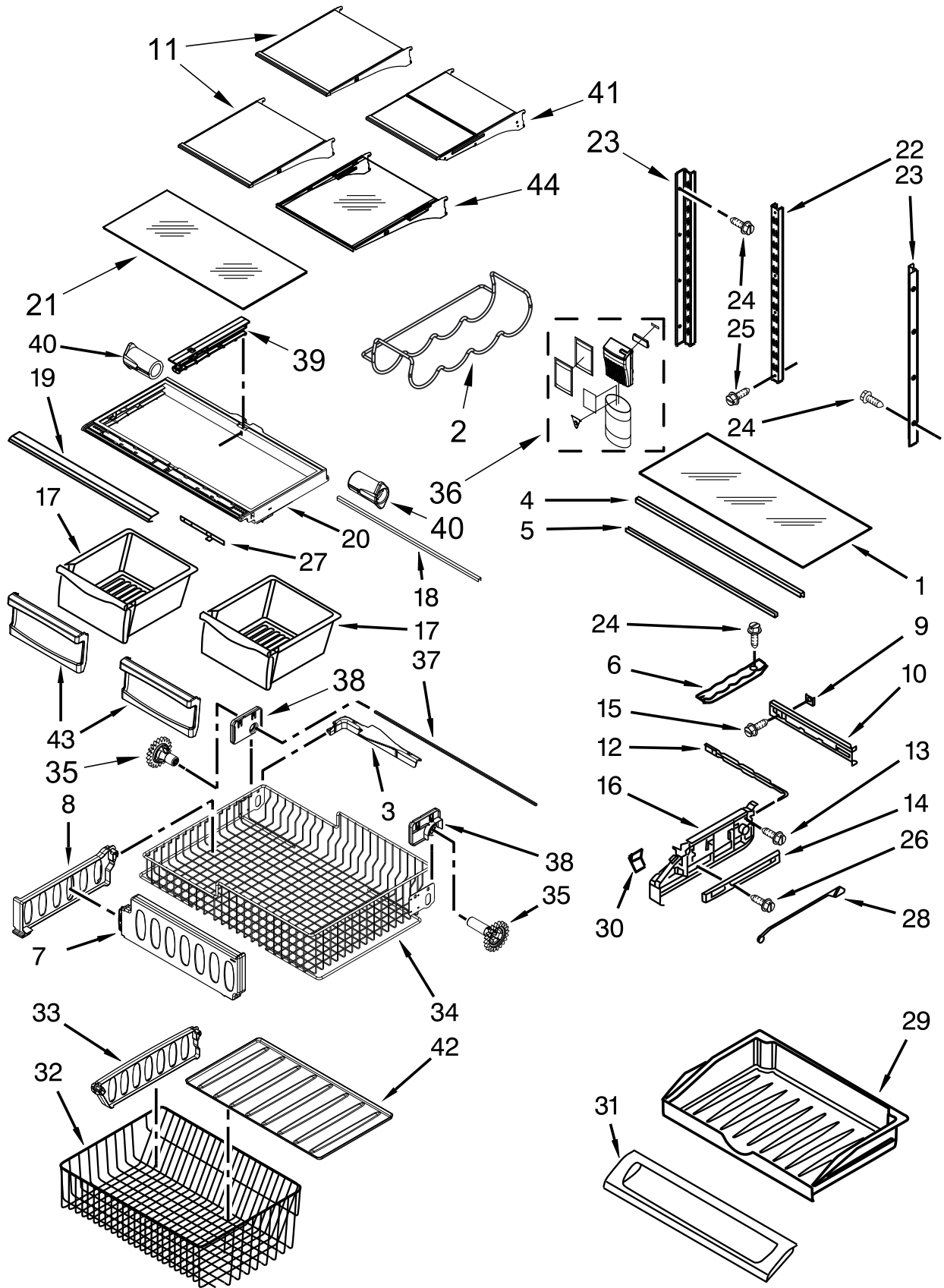
UNIT PARTS



UNIT PARTS

<u>Illus.</u> <u>No.</u>	<u>Part No.</u>	<u>Description</u>	<u>Illus.</u> <u>No.</u>	<u>Part No.</u>	<u>Description</u>	<u>Illus.</u> <u>No.</u>	<u>Part No.</u>	<u>Description</u>
1	12992301	Screw	17	10835903	Grommet	31	W10189184	Shroud, Condenser Fan
2	12825803	Blade, Fan	18	W10346415	Condenser	32	W10622099	Extension, Drain Tube
3	W10480111	Basepan	19	W10281329	Clip, Drier	33	W10236396	Strap, Compressor
4	12990511	Screw	20	W10292803	Tray, Drip			
5	W10350564	Capacitor	21	12990701	Screw			Following Parts Not Illustrated
6	W10233569	Tube, Discharge	22	W10669255	Evaporator		978025	Valve, Access
7	W10292239	Harness, Evaporator Heater	23		Dam		978026	Valve, Access
8	W10655368	Pan, Drain		12225602	Left Hand		978027	Valve, Access
9	W10622701	Screw		12225702	Right Hand		978028	Valve, Access
10	12729123	Heater, Defrost	24	W10609117	Motor, Condenser Fan		978029	Valve, Access
11	W10216075	Strap, Bale	25	10428101	Clip, Heater		978030	Valve, Access
12	W10796752	Device, Start	26	W10679208	Harness, Unit (Includes Power Cord)		876764	Valve, Access
13	W10137529	Grommet, Condenser	27	W10177049	Drier			REFRIGERANT CHARGE 5.0 oz. (R-134A)
14	2319835	Grommet, Condenser	28	W10445422	Compressor			
15	12477102	Roller	29	10623002	Clip, Evaporator			
16	12992101	Screw	30	12477202	Axle, Roller			

SHELF PARTS



SHELF PARTS

<u>Illus. No.</u>	<u>Part No.</u>	<u>Description</u>
1	12204830	Glass, Shelf
2	W10742811	Rack, Wine
3	W10149389N	Lift, Bail Arm
4	W10528935	Trim, Pantry Glass
5	12227305WH	Brace, Pantry
6	12531901	Track, Deli Drawer
7	W10171558	Divider, Basket (Upper)
8	W10241046	Divider, Basket (Upper)
9	12656901	Gasket, Pantry
10	12656202	Housing, Control
11	W10739590	Assembly, Fixed Shelf
12	12655402	Slide, Temperature Control
13	12990512	Screw
14	W10235370	Glide, Pantry
15	12990513	Screw
16		Endcap, Pantry
	W10845509	Left Hand
	W10845508	Right Hand

<u>Illus. No.</u>	<u>Part No.</u>	<u>Description</u>
17	12804601SP	Pan, Crisper
18	12642303WD	Brace, Crisper Cover
19	W10231345N	Trim, Crisper
20	W10329866	Frame, Crisper
21	12204824N	Glass, Shelf
22	W10273463	Ladder, Center
23	W10569182	Ladder, Side
24	12990513	Screw
25	W10215666	Screw
26	12990504	Screw
27	12530805SP	Slide, Humidity Control
28	12655304	Bar, Control
29	12731302	Drawer, Pantry
30	12655204	Knob, Temperature Control
31	12656813	Lid, Pantry
32	W10503184N	Basket, Freezer (Lower)
33	W10146440	Divider, Basket (Lower)
34	W10348246	Basket, Freezer (Upper)

<u>Illus. No.</u>	<u>Part No.</u>	<u>Description</u>
35		Gear, Spur
	W10474716	Left Hand
	W10474715	Right Hand
36	W10596756	Assembly, Produce Preserver
37	W10802333	Shaft, Rack
38		Mount, Gear
	W10348259	Left Hand
	W10348260	Right Hand
39	W10326469N	Rail, Center Crisper
40	13062602	Support, Crisper Frame
41	W10738157	Assembly, Tuck Shelf
42	13025201N	Tray, Lower
43	12802602SP	Front, Crisper Pan
44	W10781754	Assembly, Fixed Shelf

OPTIONAL PARTS

PAINT, TOUCH-UP (1/2OZ.)

<u>Illus.</u> <u>No.</u>	<u>Part No.</u>	<u>Description</u>
	72017	White
	72032	Black
	511873	White Porcelain (2 oz.)
	4392899	Biscuit/Bisque

PAINT, PRESSURIZED SPRAY (12 OZ.)

<u>Illus.</u> <u>No.</u>	<u>Part No.</u>	<u>Description</u>
	350930	White
	350939	Enamel, Black
	285006	Black
	350942	White Primer
	4392901	Biscuit/Bisque

PAINT, BULK (1 QT.)

<u>Illus.</u> <u>No.</u>	<u>Part No.</u>	<u>Description</u>
	799344	White (Uncut)

MISCELLANEOUS

<u>Illus.</u> <u>No.</u>	<u>Part No.</u>	<u>Description</u>
	212643	Sealer, Gum (4 Feet)
	479502	Tape, Vinyl (3/4 x 108")
	876370	Insulation (2 Pieces, 3" x 24" x 48")
	876305	Insulation Kit (14 Pieces, 3" x 24" x 48")
	978941	Insulation, Fiberglass (63 1/2" x 35 1/2" x 2 5/8")
	876029	Kit, Foam Slab (30" x 32 1/2" x 1 1/2")
	505587	Sealer, Mastic (1 Qt)
	503695	Cork, Sealer
	20000008	Cleaner, Stainless Steel
	542638	Grease, Silicone (1/2 Oz.)
	542639	Cement, Alumilastic (1 1/4 Oz.)
	833938	Kit, Terminal Connector
	8003RP	Kit, Water Inlet

TORX SCREW WRENCH

<u>Illus.</u> <u>No.</u>	<u>Part No.</u>	<u>Description</u>
	1117510	Torx Key