

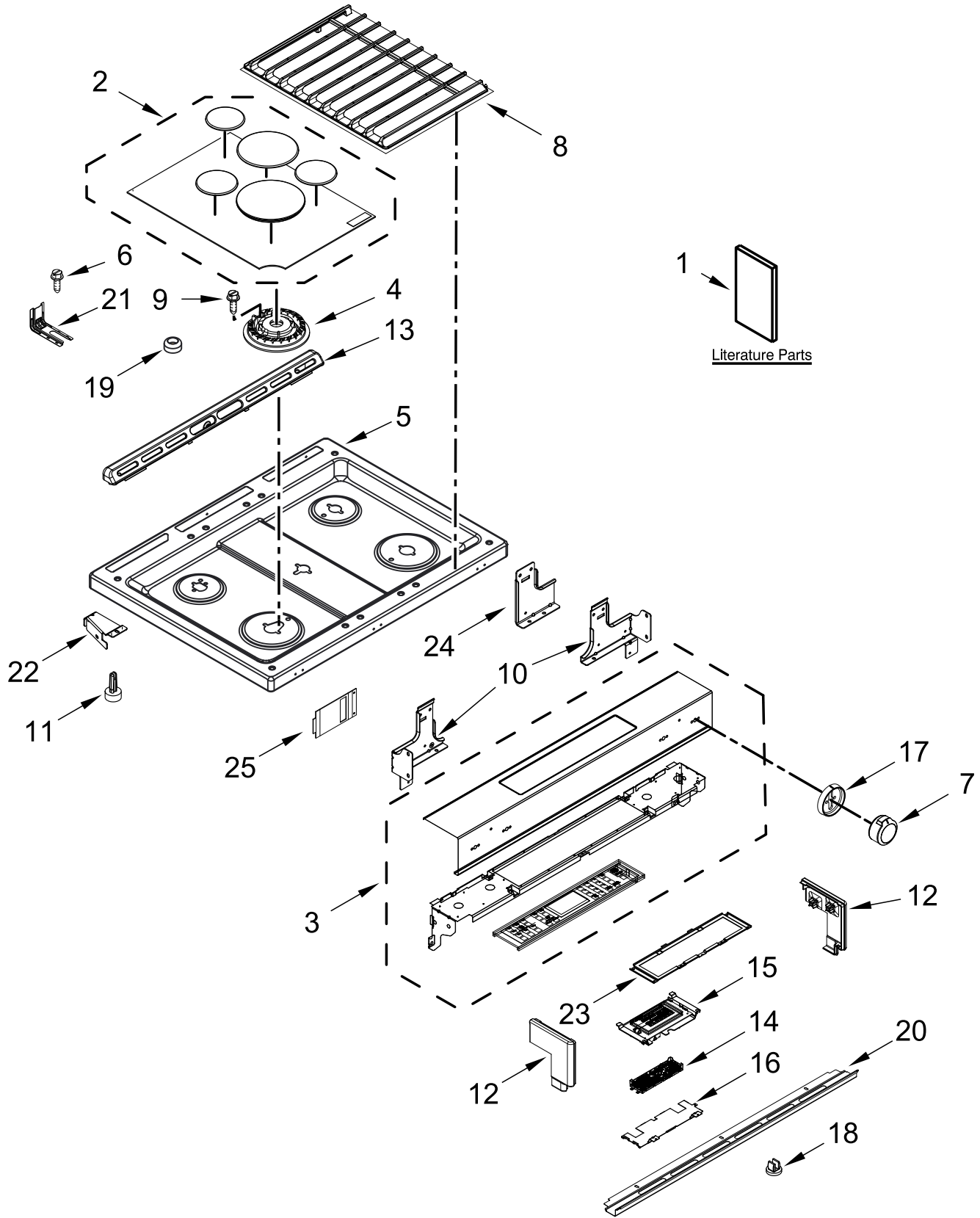
KitchenAid®

30" SLIDE IN GAS CONVECTION RANGE

MODELS:

KSGG700EBL0 (Black)
KSGG700EWH0 (White)
KSGG700ESS0 (Stainless)

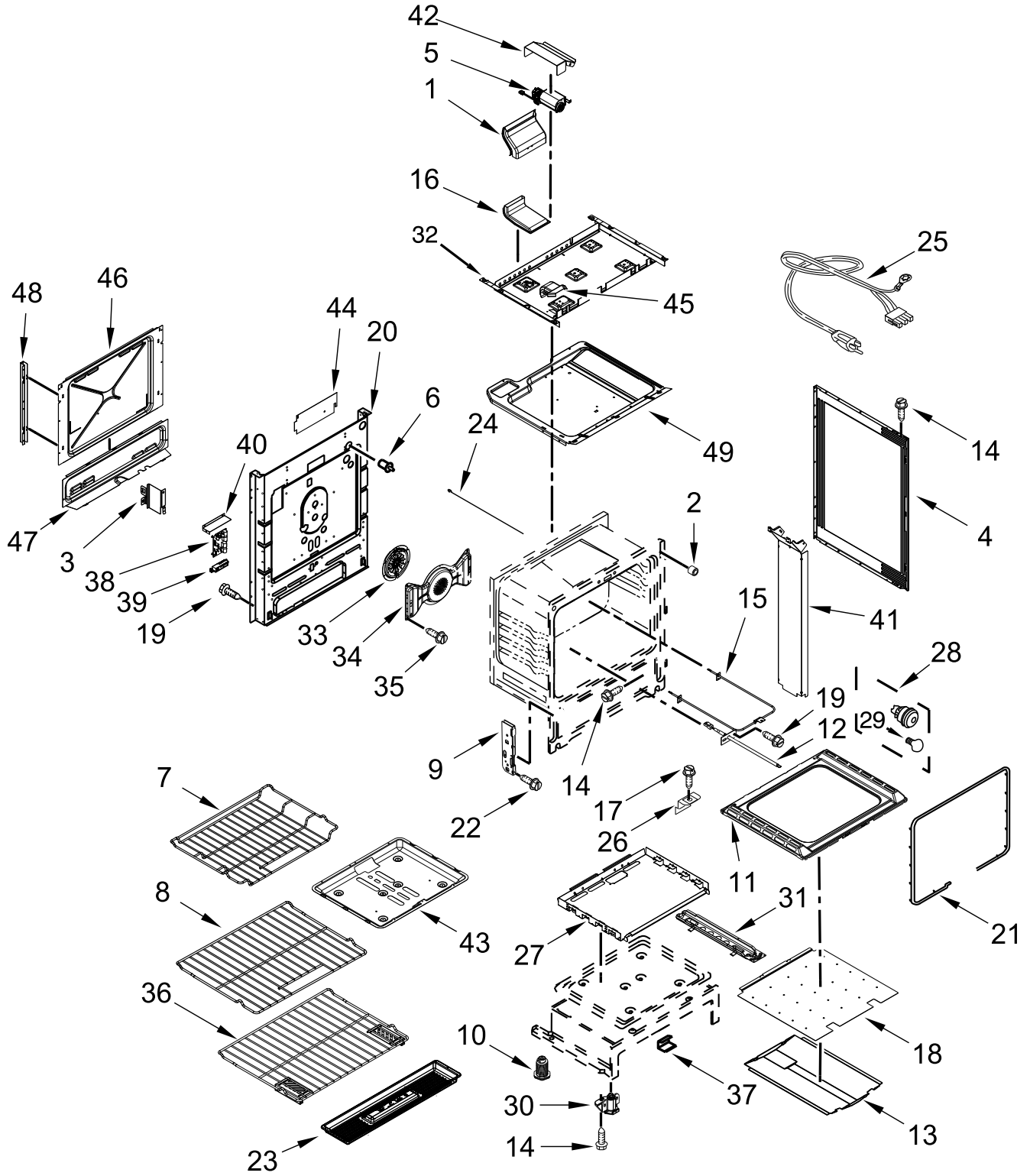
COOKTOP PARTS



COOKTOP PARTS

| <u>Illus. No.</u> | <u>Part No.</u> | <u>Description</u> | <u>Illus. No.</u> | <u>Part No.</u> | <u>Description</u> | <u>Illus. No.</u> | <u>Part No.</u> | <u>Description</u> |
|-------------------|-----------------|--|-------------------|-----------------|--------------------------------------|-------------------|-----------------|------------------------------------|
| 1 | | Literature Parts | 6 | 7101P485-60 | Screw, Anti-Tip Kit | 18 | W10645947 | Grommet |
| | W10665256 | Instructions, Installation | 7 | | Knob | 19 | W10664705 | Bumper |
| | W10722060 | Guide, Use & Care | | W10579760 | Stainless (All except Left Front) | 20 | | Console, Lower Panel |
| | W10665227 | Sheet, Tech | | W10579761 | Stainless (Left Front) | | W10555932 | Black |
| | W10703182 | Wire Diagram | | | | | W10555933 | White |
| | 9762761 | Tips, Safe Cooking (English) | 8 | | Kit, Grate | | W10555934 | Stainless |
| | W10065852 | Tips, Safe Cooking (French) | | W10432520 | Black | 21 | W10606241 | Bracket, Anti-Tip |
| | W10400066 | Guide, Quick Start (English) | 9 | 3196169 | Screw | 22 | W10162253 | Brace, Corner (Left) |
| | W10400067 | Guide, Quick Start (French) | 10 | W10289170 | Support, Cooktop (Left) | | W10162252 | Brace, Corner (Right) |
| 2 | | Kit, Burner Cap | | W10289169 | Support, Cooktop (Right) | 23 | W10555923 | Bracket, User Interface |
| | W10479989 | Black | 11 | 8016P022-60 | Glide, Main Top | 24 | W10598048 | Bracket, Console (Center) |
| 3 | | Console | 12 | | Endcap | 25 | W10757531 | Keypad, Shield |
| | W10547095 | Black | | W10555936 | Black (Left) | | | FOLLOWING PARTS NOT ILLUSTRATED |
| | W10547094 | White | | W10555939 | Black (Right) | | W10580231 | Harness, Main |
| | W10547096 | Stainless | | W10555935 | White (Left) | | W10754419 | Harness, Bake/Broil |
| 4 | W10495853 | Spreader, Flame (Left Front) | | W10555938 | White (Right) | | W10598169 | Harness, Display |
| | W10464795 | Spreader, Flame (Left Rear) | | W10555937 | Stainless (Left) | | W10575120 | Harness, Keypad |
| | W10256028 | Spreader, Flame (Right Front) | | W10555940 | Stainless (Right) | | 313438 | Clip, Harness |
| | W10256025 | Spreader, Flame (Right Rear & Center) | 13 | | Trim, Vent | | 3196520 | Clip, Wire |
| | | | | W10577781 | Black | | W10580229 | Wire, Ground |
| | | | | W10577780 | White | | W10681410 | Kit, LP Conversion |
| | | | 14 | W10453983 | Control, MRC2 | | W10566534 | Kit, Bake & Broil |
| 5 | | Cooktop | 15 | W10603096 | Assembly, Display | | | |
| | W10536181 | Black | 16 | W10558372 | Bracket, Control | | | |
| | W10536182 | White | 17 | | Bezel | | | |
| | | | | W10785119 | Stainless | | | |

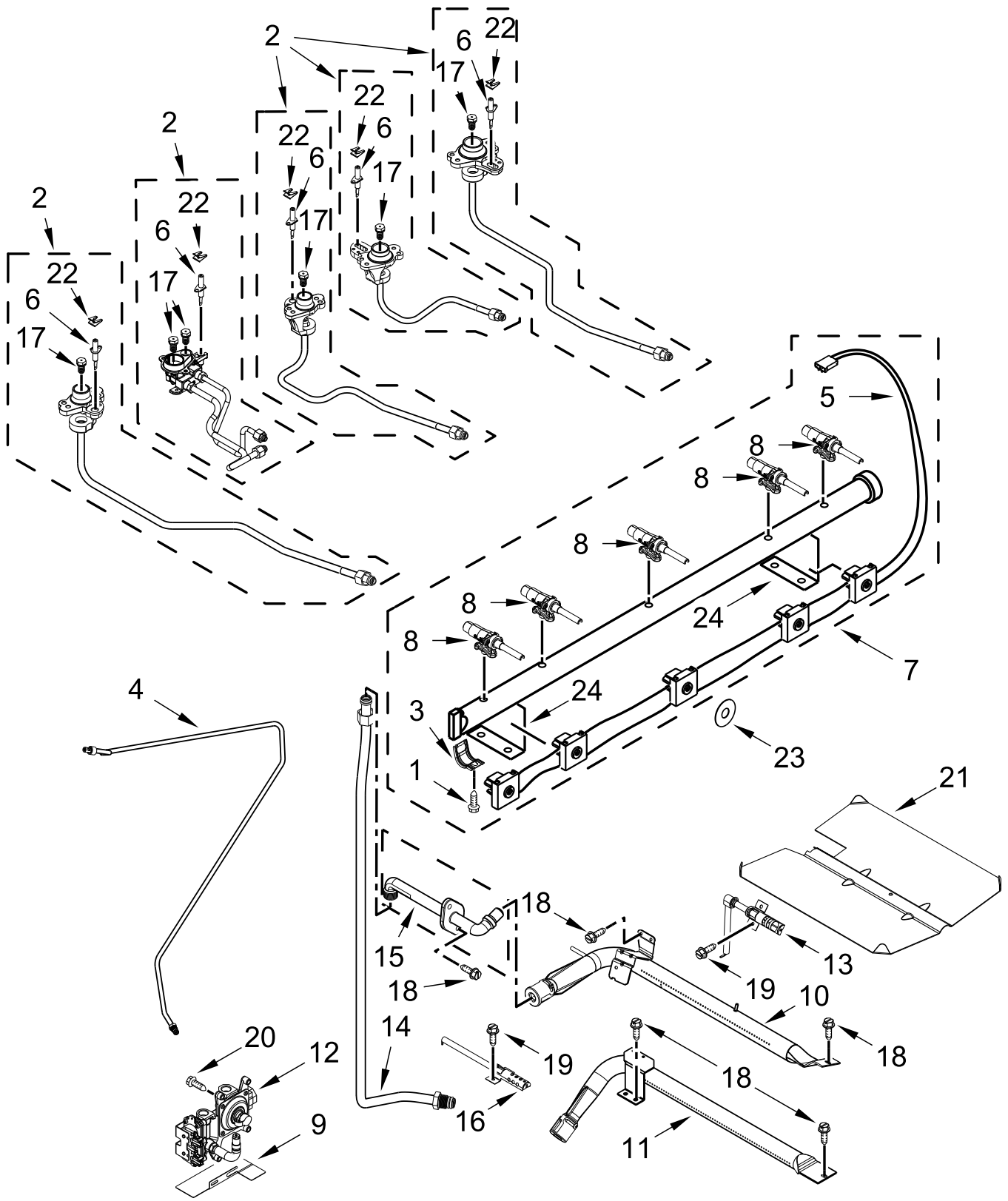
CHASSIS PARTS



CHASSIS PARTS

| <u>Illus.</u> <u>No.</u> | <u>Part No.</u> | <u>Description</u> | <u>Illus.</u> <u>No.</u> | <u>Part No.</u> | <u>Description</u> | <u>Illus.</u> <u>No.</u> | <u>Part No.</u> | <u>Description</u> |
|-----------------------------|-----------------|------------------------|-----------------------------|-----------------|-----------------------------|-----------------------------|-----------------|---------------------------|
| 1 | W10614920 | Assembly, Flue | 21 | W10162385 | Gasket, Door | 41 | W10162254 | Duct, Cooling |
| 2 | 9758701 | Spacer, Door | 22 | W10031780 | Screw | 42 | W10162255 | Duct, Cover |
| 3 | W10273002 | Bracket, Oven Support | 23 | W10686408 | Kit, Reservoir (Steam Rack) | 43 | W10273204 | Pan, Bake |
| 4 | | Panel, Side | 24 | W10273192 | Rod, Door Switch | 44 | W10813366 | Shield, Wire |
| | W10162245 | Black | 25 | W10624590 | Cord, Power | 45 | W10162257 | Duct, Cooktop |
| | W10575396 | White | 26 | W10035900 | Support, Oven Bottom | 46 | W10289172 | Cover, Back |
| 5 | W10780482 | Assembly, Cooling Fan | 27 | W10541959 | Shield, Bake | 47 | W10162249 | Cover, Wire |
| 6 | W10627802 | Switch, Door | 28 | W10454648 | Assembly, Light | 48 | W10162241 | Channel, Rear |
| 7 | W10554006 | Rack, Maximum Capacity | 29 | 311255 | Bulb, Oven Light | 49 | W10289168 | Box, Burner SI INSULATION |
| 8 | W10554005 | Rack, Heavy Duty | 30 | W10341186 | Assembly, Front Foot | | W10289173 | Insulation, Wrap |
| 9 | W10289077 | Receiver, Hinge | 31 | W10390008 | Assembly, Base Rail (Left) | | W10162240 | Insulation, Back |
| 10 | W10058460 | Foot, Leveling | | W10390007 | Assembly, Base Rail (Right) | | 4820F015-59 | Insulation, Strap |
| 11 | W10211368 | Bottom, Oven | 32 | W10558276 | Box, Burner Gas | | 7111P017-60 | Clamp, Wire |
| 12 | W10586204 | Sensor | 33 | W10617484 | Assembly, Convection | | W10716764 | Insulation, Burner Box |
| 13 | 3601P356-45 | Baffle, Bake Burner | 34 | W10346153 | Baffle, Full Convection | | | |
| 14 | 3196178 | Screw | 35 | W10362924 | Screw | | | |
| 15 | W10552502 | Element, Broil Assist | 36 | W10554007 | Rack, Steam | | | |
| 16 | W10311326 | Assembly, Flue (Upper) | 37 | W10137382 | Clip, Panel | | | |
| 17 | W10362924 | Screw | 38 | W10457998 | Module, Spark (0+2) | | | |
| 18 | W10323077 | Diffuser, Flame | 39 | W10475149 | Module, Spark (5+0) | | | |
| 19 | 3196178 | Screw | 40 | W10655451 | Guard, Splash | | | |
| 20 | W10289166 | Back, Main | | | | | | |

MANIFOLD PARTS



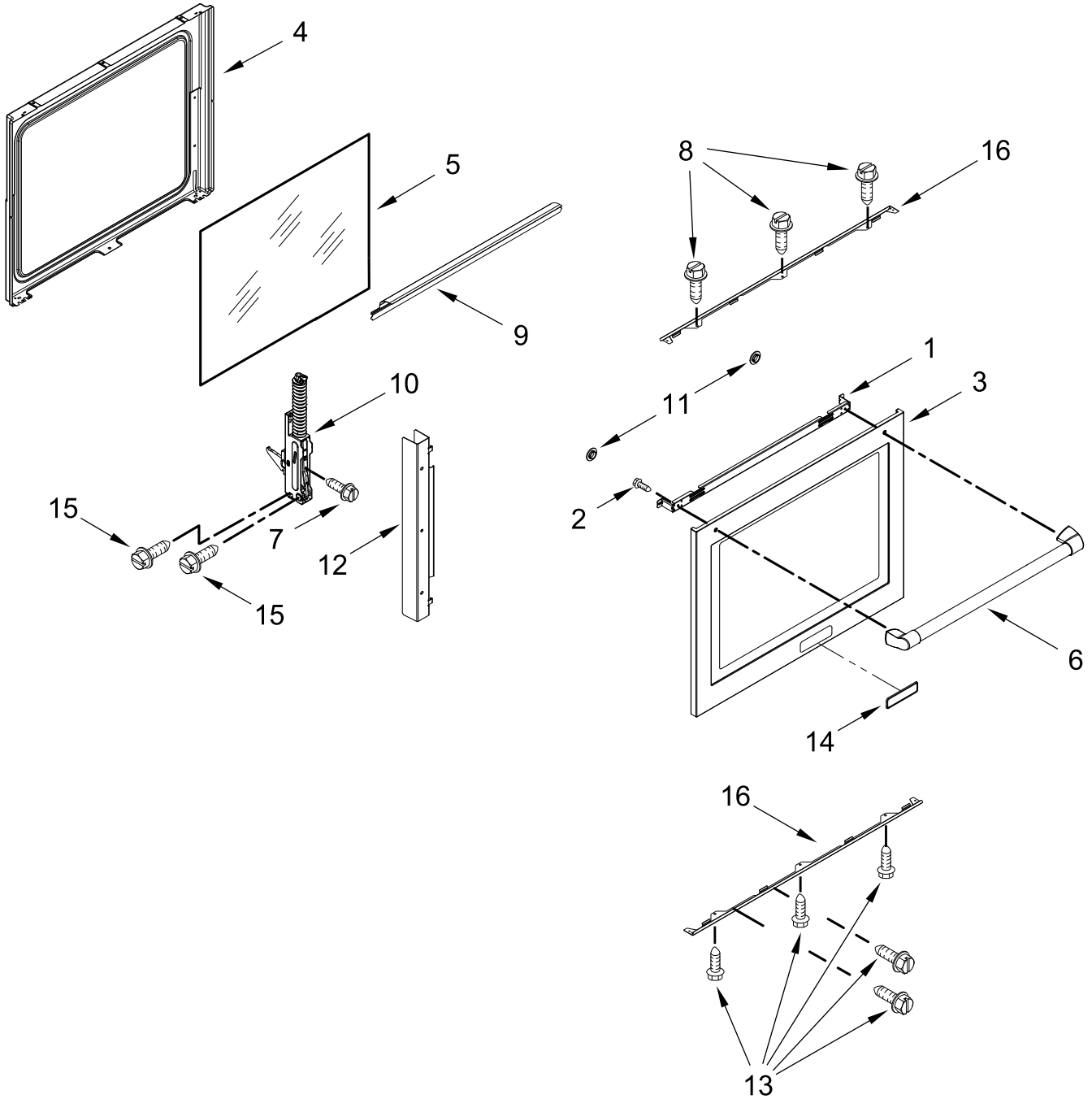
MANIFOLD PARTS

| <u>Illus. No.</u> | <u>Part No.</u> | <u>Description</u> |
|-------------------|-----------------|------------------------------------|
| 1 | W10673618 | Screw |
| 2 | W10552123 | Orifice, Assembly (Left Front) |
| | W10552121 | Assembly, Orifice (Left Rear) |
| | W10552120 | Assembly, Orifice (Right Front) |
| | W10552119 | Assembly, Orifice (Right Rear) |
| | W10552124 | Assembly, Orifice (Center) |
| 3 | W10295996 | Bracket, Saddle Valve |
| 4 | W10432252 | Tube, Gas Supply |
| 5 | W10432517 | Harness, Switch Spark |

| <u>Illus. No.</u> | <u>Part No.</u> | <u>Description</u> |
|-------------------|-----------------|--------------------------------------|
| 6 | W10496874 | Electrode (Left Front) |
| | W10464799 | Electrode (Left Rear) |
| | W10496870 | Electrode (Right Front & Center) |
| | W10496872 | Electrode (Right Rear) |
| 7 | W10475026 | Assembly, Manifold |
| 8 | W10432224 | Valve, Gas Duel (Left Front) |
| | W10566055 | Valve, Gas (Left Rear) |
| | W10566062 | Valve, Gas (Right Front) |
| | W10566057 | Valve, Gas (Right Rear & Center) |
| 9 | W10224921 | Bracket, Aegis |
| 10 | W10439242 | Burner, Broiler |
| 11 | W10680035 | Burner, Bake |
| 12 | W10554066 | Valve, Regulator |
| 13 | W10324262 | Igniter, Bake |
| 14 | W10306050 | Tubing (Broiler Fitting To Valve) |

| <u>Illus. No.</u> | <u>Part No.</u> | <u>Description</u> |
|-------------------|-----------------|--------------------------------|
| 15 | W10583216 | Fitting, Broil Burner |
| 16 | W10333842 | Electrode, Broil |
| 17 | W10506739 | Orifice (17K) (Left Front) |
| | W10256132 | Orifice (1.2K) (Left Front) |
| | W10515054 | Orifice (Left Rear) |
| | W10434277 | Orifice (Right Front) |
| | W10657949 | Orifice (Right Rear) |
| | W10657947 | Orifice (8K) (Center) |
| 18 | 3196178 | Screw |
| 19 | 3196385 | Screw |
| 20 | 3400016 | Screw |
| 21 | 3601P336-45 | Baffle, Broil Burner |
| 22 | W10575401 | Clip, Spring Electrode |
| 23 | W10140571 | Seal, Switch Shaft |
| 24 | W10762686 | Bracket, Manifold Support |

DOOR PARTS



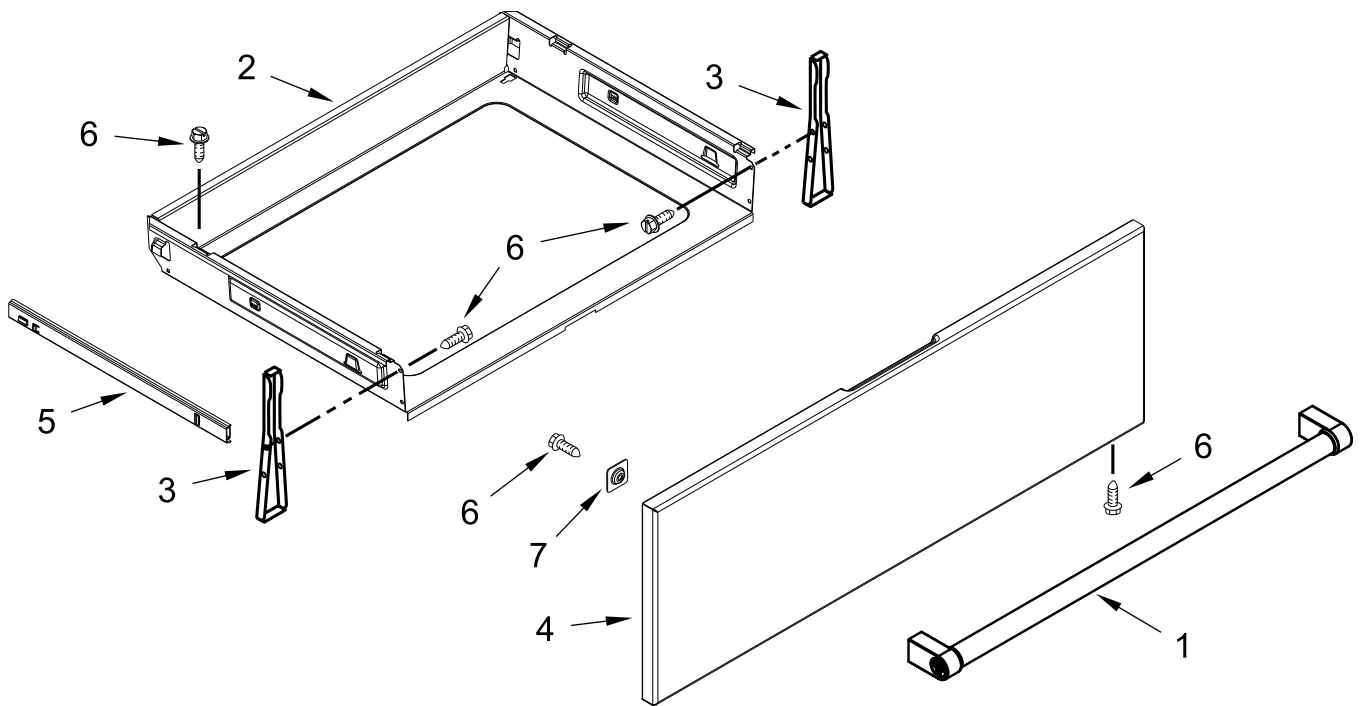
DOOR PARTS

| <u>Illus.</u> <u>No.</u> | <u>Part No.</u> | <u>Description</u> |
|-----------------------------|-----------------|-----------------------------|
| 1 | W10541911 | Bracket, Glass Upper Handle |
| 2 | 8533988 | Screw |
| 3 | | Assembly, Outer Door |
| | W10634272 | Black |
| | W10634273 | White |
| | W10634271 | Stainless |
| 4 | W10541882 | Liner, Door |
| 5 | W10541888 | Glass, Inner |
| 6 | | Assembly, Door Handle |
| | W10551000 | Stainless |

| <u>Illus.</u> <u>No.</u> | <u>Part No.</u> | <u>Description</u> |
|-----------------------------|-----------------|----------------------|
| 7 | W10031780 | Screw |
| 8 | 9780274 | Screw |
| 9 | | Scoop, Door |
| | W10613791 | Black |
| | W10613790 | White |
| | W10551024 | Stainless |
| 10 | W10388635 | Hinge, Door (Active) |
| 11 | W10319024 | Washer, Door |
| 12 | W10541883 | Hinge, Support Rail |
| 13 | W10031790 | Screw |

| <u>Illus.</u> <u>No.</u> | <u>Part No.</u> | <u>Description</u> |
|-----------------------------|-----------------|--------------------|
| 14 | | Badge |
| | W10518672 | Grey |
| 15 | W10327235 | Screw |
| 16 | W10541885 | Support, Glass |

DRAWER PARTS



DRAWER PARTS

| <u>Illus.</u> <u>No.</u> | <u>Part No.</u> | <u>Description</u> |
|-----------------------------|-----------------|--------------------|
| 1 | | Handle, Drawer |
| | W10551000 | Stainless |
| 2 | W10688022 | Drawer, Storage |
| 3 | W10318026 | Bracket, Mounting |

| <u>Illus.</u> <u>No.</u> | <u>Part No.</u> | <u>Description</u> |
|-----------------------------|-----------------|---------------------|
| 4 | | Panel, Drawer Front |
| | W10541953 | Black |
| | W10541952 | White |
| | W10541954 | Stainless |

| <u>Illus.</u> <u>No.</u> | <u>Part No.</u> | <u>Description</u> |
|-----------------------------|-----------------|-----------------------|
| 5 | W10441804 | Slide, Drawer (Left) |
| | W10441805 | Slide, Drawer (Right) |
| 6 | 8533988 | Screw |
| 7 | 3823F017-45 | Spacer, Handle |

OPTIONAL PARTS (NOT INCLUDED)

REFINISHING MATERIAL

| <u>Illus. No.</u> | <u>Part No.</u> | <u>Description</u> |
|-------------------|-----------------|---------------------------|
| | 242756 | Oven Liner Touch Up Paint |

INSULATION

| <u>Illus. No.</u> | <u>Part No.</u> | <u>Description</u> |
|-------------------|-----------------|----------------------------------|
| | 261514 | Insulation (1-1/2" x 24" x 120") |
| | 240132 | Insulation (2-1/2" x 22" x 120") |

PAINT, TOUCH-UP (1/2OZ.)

| <u>Illus. No.</u> | <u>Part No.</u> | <u>Description</u> |
|-------------------|-----------------|-------------------------|
| | 72017 | White |
| | 72032 | Black |
| | 511873 | White Porcelain (2 oz.) |

PAINT, PRESSURIZED SPRAY (12 OZ.)

| <u>Illus. No.</u> | <u>Part No.</u> | <u>Description</u> |
|-------------------|-----------------|--------------------|
| | 350930 | White |
| | 350939 | Enamel, Black |
| | 285006 | Black |
| | 350942 | White Primer |

PAINT, BULK (1 QT.)

| <u>Illus. No.</u> | <u>Part No.</u> | <u>Description</u> |
|-------------------|-----------------|--------------------|
| | 799344 | White (Uncut) |

ACCESSORY PARTS

| <u>Illus. No.</u> | <u>Part No.</u> | <u>Description</u> |
|-------------------|-----------------|--|
| | 31463A | Protectant, Cooktop |
| | 31605 | Kit, Cooktop Care |
| | W10355016 | Cleaner, Stainless Steel |
| | W10355051 | Cleaner, Cooktop |
| | W10391473 | Pad, Cooktop Cleaning |
| | W10355049 | Wipes, Stainless Steel Cleaning |
| | W10355010 | Cleaner, Kitchen & Appliance |
| | W10275756 | Cleaner, Granite |
| | 31617A | Cleaner, Grate & Drip Pan |
| | WA906B | Scraper, Cooktop |
| | 242905 | Kit, Canning Unit |
| | 4396923 | Broiler Pan and Grid |
| | W10123240 | Rack, Broiler Pan & Roasting |
| | W10432545 | Kit, Grill |
| | W10432544 | Griddle |
| | W10432019 | Alt Cleaning Kit Assembly, Trim (5/8") |
| | W10675026 | Black |
| | W10675027 | White |
| | W10675028 | Stainless (1 1/8") |
| | W10731886 | Black |
| | W10731885 | White |
| | W10731887 | Stainless Assembly, Backsplash |
| | W10655449 | Black |
| | W10655448 | White |
| | W10655450 | Stainless |