



Stainless Steel  
KODE300ESS

### Capacity

Oven	10.0 cu. ft.
------	--------------

### General Features & Properties

FIT System Guarantee

EasyConvect™ Conversion System

5.0 Cu. Ft. Capacity (each oven)

Even-Heat™ Preheat

SatinGlide™ Roll-Out Extension Rack (upper oven)

Glass-Touch Display with Control Lock Function

Self-Cleaning Cycle

### Electrical Details

Amps	40
------	----

Volts	240
-------	-----

### Certifications

Star-K Certified/Kosher	Yes
-------------------------	-----

### Technical Details

Fuel Type	Electric
-----------	----------

Oven Type	Double
-----------	--------

Oven Cooking System	Convection Upper Oven/ Thermal Lower Oven
---------------------	--

Number of Oven Racks	3 Upper Oven 2 Lower Oven
----------------------	------------------------------

Cleaning Type	Adjustable Self-Cleaning
---------------	-----------------------------

### Dimensions

Product Dimensions (H x W x D)	51-1/4" x 30" x 26-7/8"
--------------------------------	-------------------------------

Depth with Door Open 90°	46-3/4"
--------------------------	---------

Cutout Dimensions (H x W x D)	50-1/4" x 28-1/2" x 24"
-------------------------------	-------------------------------

### Reference Material

[Dimension Guide](#)

[Install Guide](#)

[Warranty](#)

### Key Features & Benefits

#### Even-Heat™ True Convection Oven (upper oven)

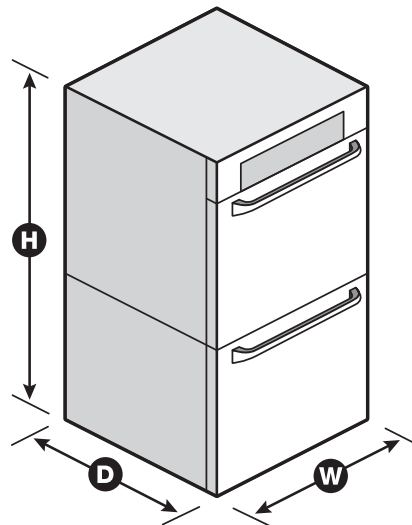
Provides consistent heating and even cooking on all racks with a unique bow-tie shaped design and convection fan that helps ensure no burnt edges or undercooked centers.

#### Temperature Probe (upper oven)

Allows accurate measurement of internal temperature of meats, poultry, and casseroles without having to open the oven door.

#### Professionally-Inspired Design

Combines a bold blend of professionally-inspired styling with sleek touches for the home. This beautiful built-in wall oven features Satin Textured Handles, Precision Touch Controls, a stunning Chrome Inlaid Frame, the KitchenAid® Badge and Brand Medallion.



NOTE: Dimensions are for planning purposes only. For complete details, see Installation Instructions packed with product. Specifications subject to change without notice.