

## PTT3 WET END PARTS

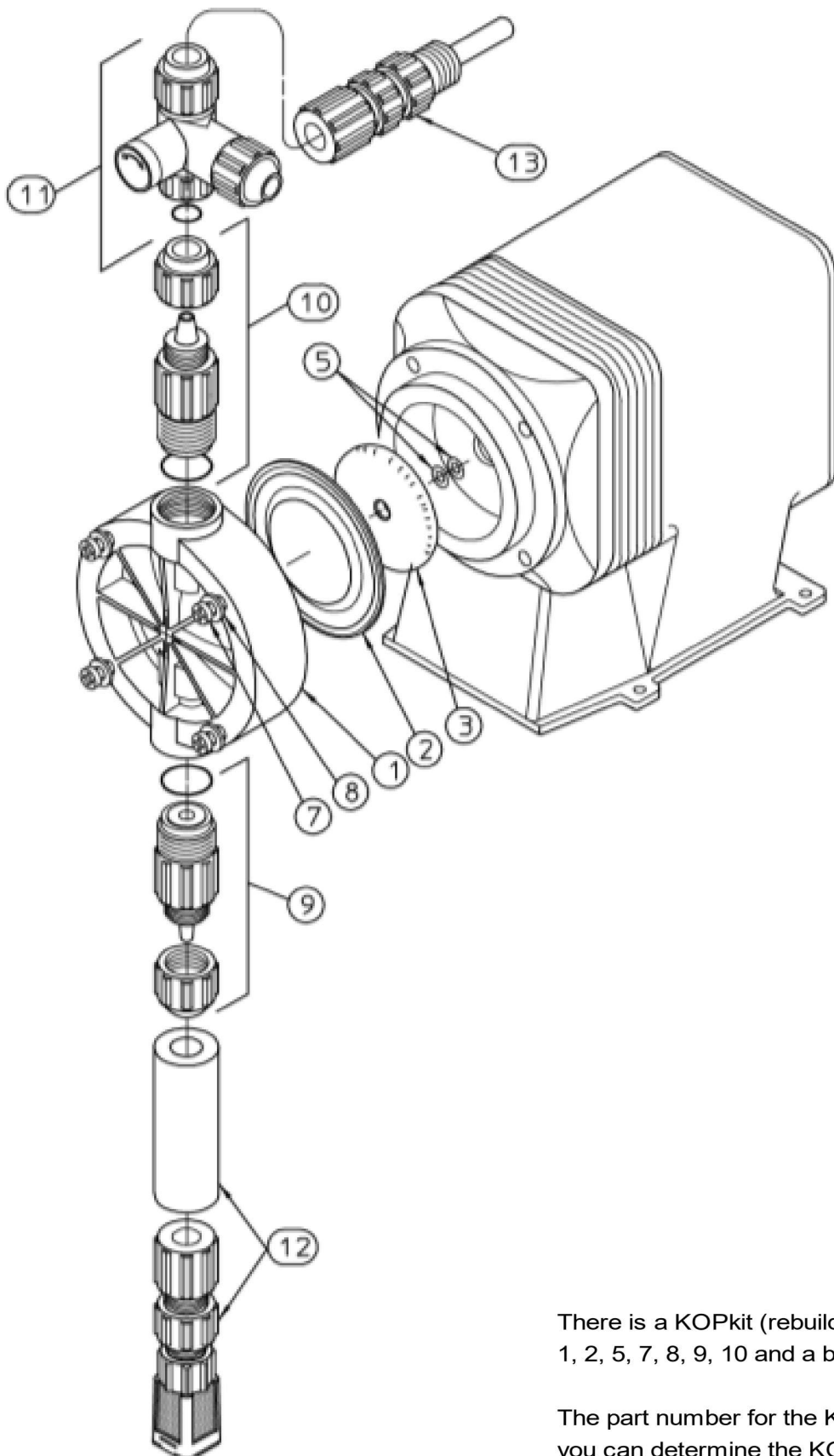
The following part numbers are the pump models with liquid end code PTT3 in the model  
**EXAMPLE: LPH7SA-PTT3-XXX**

Use the fourth digit in the model number from your pump to identify the part numbers below

**EXAMPLE MODEL:**

Position	1	2	3	4	5	6	-	7	8	9	10	-	11	12	13
Model:	L	P	H	7	S	A	-	P	T	T	3	-	X	X	X

For example the pump head (ITEM #1) for this pump would be:  
**Part Number: L0200700-FPP**



PART NUMBER	QTY	DIGIT IN POSITION NUMBER FOUR OF THE MODEL NUMBER
<b>ITEM NO. 1: PUMP HEAD (FPP)</b>		
L0200400-FPP	1	4
L0200500-FPP	1	5
L0200600-FPP	1	6
L0200700-FPP	1	7
<b>ITEM NO. 2: DIAPHRAGM</b>		
L0301100-THY	1	4
L0301200-THY	1	5
L0301300-THY	1	6
L0301400-THY	1	7
<b>ITEM NO. 3: DEFLECTION PLATE</b>		
L2100400-FPP	1	4
L2100500-FPP	1	5
L2100600-FPP	1	6
L2100700-FPP	1	7
<b>ITEM NO. 5: SHIM (0-2 REQUIRED)</b>		
L9901200-BRS	0-2	ANY DIGIT
<b>ITEM NO. 7 &amp; 8: PUMP HEAD SCREWS AND WASHERS KIT (CONTAINS BOLTS AND WASHERS)</b>		
L3900200-000	1	4
L3900300-000	1	5, 6 OR 7
<b>ITEM NO. 9: SUCTION VALVE</b>		
L3101TT3-FPP	1	ANY DIGIT
<b>ITEM NO. 10: DISCHARGE VALVE</b>		
L3201TT3-FPP	1	ANY DIGIT
<b>ITEM NO. 11: BLEED VALVE</b>		
L3300T03-FPP	1	ANY DIGIT
<b>ITEM NO. 12: FOOT VALVE/STRAINER</b>		
J40171	1	ANY DIGIT
<b>ITEM NO. 13: INJECTION VALVE</b>		
J41875	1	ANY DIGIT
<b>REPLACEMENT FUSES</b>		
L9707300-000	1	E+ SERIES AND E SERIES PUMPS WITH FUSE HOLDER
L9711200-000	1	A+, C, C+ AND E SERIES PUMPS WITH PC BOARD MOUNTED FUSE
L9704700-000	1	SERIES E-DC PUMPS
L9700700-250	1	SERIES MP PUMP-CIRCUIT

There is a KOPkit (rebuild kit) available for your pump that includes items 1, 2, 5, 7, 8, 9, 10 and a bleed valve o-ring

The part number for the KOPkit can be found on your pump data label or you can determine the KOPkit part number from your pump model number by using the fourth, seventh, eighth, ninth and tenth positions for the model string

**EXAMPLE:**

Model	L	P	H	7	M	A	-	P	T	T	3	-	X	X	X
KOPkit Number				7				P	T	T	3				

= K7PTT3