

MAKE THE MOST OF YOUR



Sink shown without faucet. The Model LFK is available separately from Lynx Grills.

LSK18/LSK24/LSK30 Outdoor Built-In Sink
CARE & USE/INSTALLATION

Sink shown without faucet. The Model LFK is available separately from Lynx Grills.

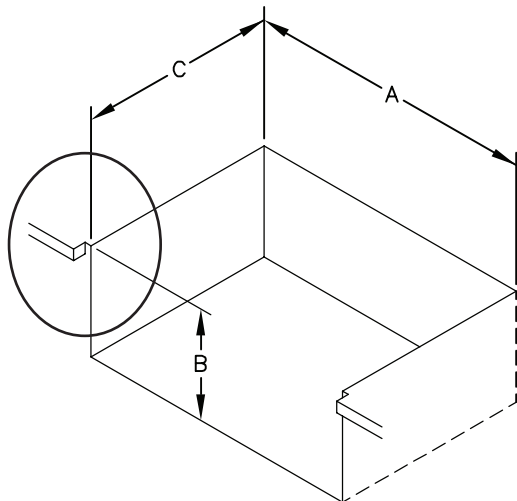
INSTALLER: Read these instructions carefully before starting installation. Please leave these instructions with the homeowner.

HOMEOWNER: Please retain these instructions for future use

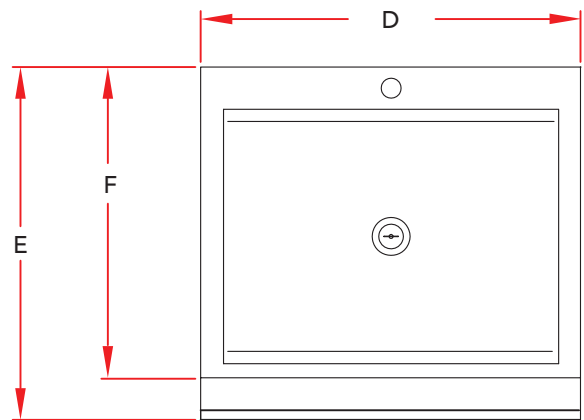
EXTERIOR DIMENSIONS

Cut-out Dimension Specifications	Cutout Dimensions			Exterior Dimensions		
	Width A	Height B	Depth C	Width D	Depth E	Depth F
LSK18	17	10½	22	18	25⅛	22⅛
LSK24	23	10½	22	24	25⅛	22⅛
LSK30	29	10½	22	31	25⅛	22⅛

Countertop notch detail: a 1/2" width is required with a depth equal to the countertop overhang.



Cutout Dimensions



Exterior Dimensions

INSTALLATION PREPARATION

The Lynx sinks are designed for outdoor use. It is recommended that the sink be installed by a qualified technician in accordance with all local plumbing and building codes.

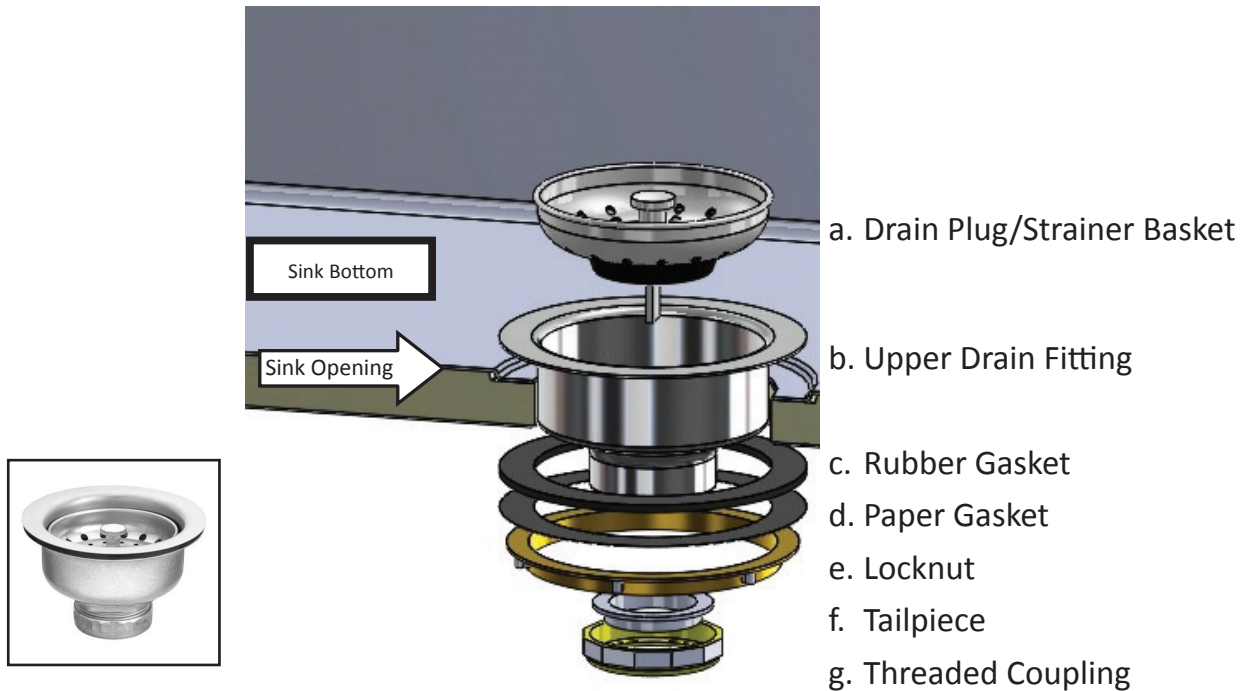
Prepare the countertop by cutting the appropriate cutout dimensions from the table above. There must be a minimum of a 1/2" overlap on the sides and rear of the sink on the countertop to support the sink. Adequate clearances below the sink must be maintained for maintenance, water, and drain lines.

INSTALLING THE DRAIN ASSEMBLY

INSTALLING THE DRAIN ASSEMBLY

For ease of installation we recommend that the drain assembly be installed before installing the sink into the countertop.

1. Remove the drain assembly from the box and identify the following parts:



2. Remove the drain plug strainer basket (a) and separate the upper drain fitting (b) from the remainder of the drain assembly.
3. Place a bead of Plumbers Putty* around the underside of the upper drain fitting. Drop the upper drain fitting (b) into the sink bottom opening and press it firmly into place. From the bottom of the sink position the rubber gasket (c) and then the paper gasket (d) on the upper drain fitting (b). The paper gasket (d) is used to prevent kinking of the rubber gasket (c) while tightening the locknut (e).
4. Align the drain assembly so that it sits centered in the sink drain cut-out. Screw the locknut (e) on to the upper drain fitting (b) threaded connection until it is **hand tight**. Now use a tool to tighten the locknut (e) another quarter turn.
5. Remove any excess Plumber Putty with a damp cloth.

* Plumbers Putty is available at most home improvement centers. Plumbers putty is an easy-to-mold setting compound for use with stainless steel sealing applications. **Do Not Omit This Step.**

INSTALLING THE SINK

1. Install the faucet (not supplied) or the stainless steel plug (included) into the top faucet opening.
2. Carefully lower the sink into the cut out on the countertop. Push the sink back until there are no gaps in the back and the bullnose contacts the front face of the cabinet. The sink will be supported by its weight on the side and back.
3. If desired a small bead of silicone sealant could be put around the edges of the sink to prevent water seepage into the spaces below the sink.



Sink shown with faucet Model LFK available separately from Lynx Grills.

INSTALLING THE DRAIN PIPING (NOT SUPPLIED)

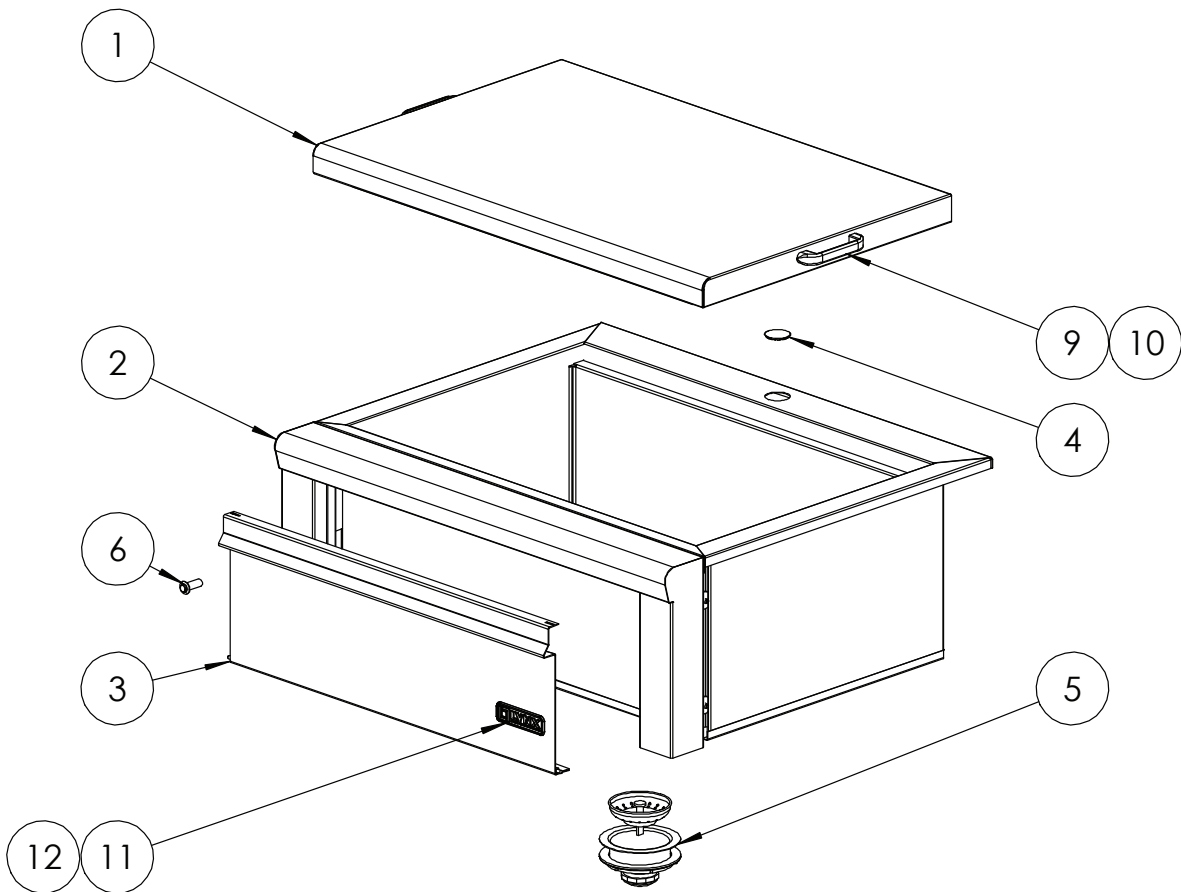
Assemble all drain pipe connections to the tailpiece and on through a pipe trap and proper drainage. The drain must be installed in accordance with all local codes. In the absence of local codes, the requirements of the Uniform Plumbing Code should be followed.

INSTALLING THE TRANSFORMER

The power supply transformer should be installed below the sink within the cabinet enclosure. Select a location where the transformer is protected against water, heat and physical damage. It is recommended that fasteners are used in at least two of the four mounting holes for secure attachment.

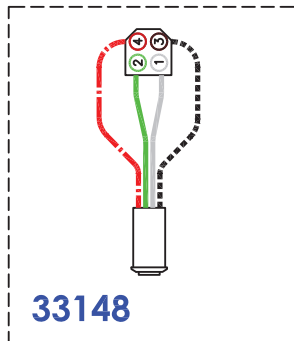
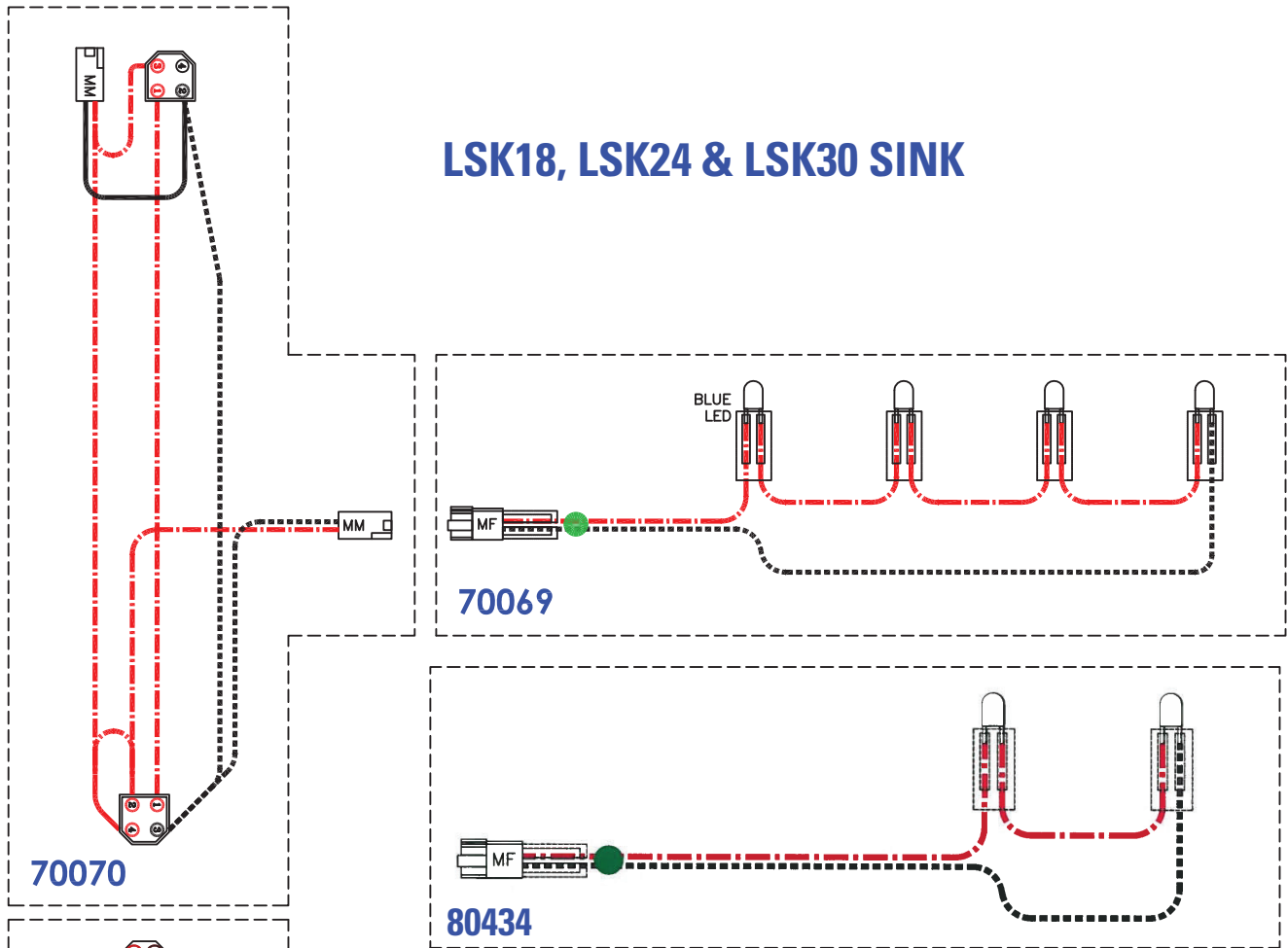
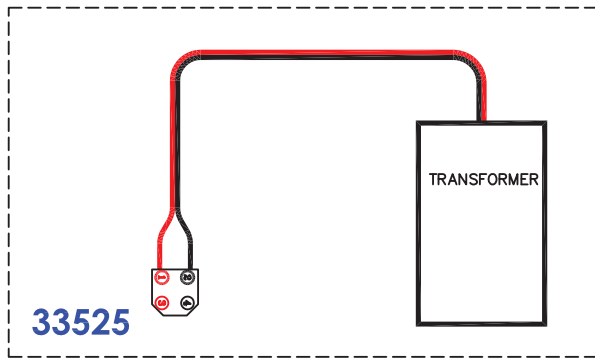
The power supply transformer must be plugged into a properly grounded GFI equipped outlet, installed by a qualified technician. The outlet of the transformer is plugged into the white Molex connector at the rear of the sink. Please see the electrical diagram provided in this manual.

EXPLODED VIEW/PARTS



ITEM	DESCRIPTION	LSK 18" SINK P/N	LSK 24" SINK P/N	LSK 30" SINK P/N	QTY
1	LID ASSEMBLY	70292	70191	70190	1
2	BULLNOSE ASSY	80906	70185	80516	1
3	LIGHT PANEL ASSY	80907	80860	80861	1
4	HOLE PLUG, 1 3/8"	34674	34674	34674	1
5	BASKET STRAINER, 3 1/2"	34762	34762	34762	1
6	LIGHT SWITCH ASSY	33148	33148	33148	1
7	POWER WIRE HARNESS	70070	70070	70070	1
8	LED WIRE HARNESS	80434	70069	70069	1
9	HANDLE, 4" STAINLESS	31379	31379	31379	2
10	SCREW, #10-24 X 3/8 PHP, SS	14050	14050	14050	4
11	LYNX LOGO	11074	11074	11074	1
12	NUT, 1/8" SPEED, SELF THREADING	31062	31062	31062	2
13	TRANSFORMER (NOT SHOWN)	33525	33525	33525	1

SCHEMATICS



Power Switch

LYNX LIMITED WARRANTY

I. Limited Lifetime Warranty

The stainless steel housing is warranted to be free from defects in material and workmanship when subjected to normal domestic use and service for the lifetime of the original purchaser. This warranty excludes surface corrosion, scratches, and discoloration which may occur during regular use. This warranty is limited to the replacement of the defective parts, with the owner paying all other cost including labor.

II. Limited ONE-Year Warranty

All other components are warranted to be free from defects in material and workmanship for a period of one year from the original date of purchase. Lynx will replace or repair parts found to be defective at no cost to the original purchaser.

III. Limitations & Exclusions

1. This Warranty shall apply to products purchased and located in the United States and Canada. Products must be purchased in the country where service is requested.
2. Warranty applies only to the original purchaser and may not be transferred.
3. Warranty is in lieu of all other warranties expressed or implied and all other obligations or liabilities related to the sale or use of its products.
4. Warranty shall not apply and Lynx is not responsible for damage resulting from misuse, abuse, alteration of or tampering with the appliance, accident, hostile environment, improper installation, or installation not in accordance with the instructions contained in this manual, or the local codes.
5. Lynx shall not be liable for incidental, consequential, special or contingent damages resulting from its breach of this written warranty or any implied warranty.
6. Some states do not allow limitations on how long an implied warranty lasts, or the exclusions of or limitations on consequential damages. This warranty gives you specific legal rights and you may have other rights which vary from state to state.
7. No one has the authority to add to or vary Lynx's warranty, or to create for Lynx any other obligation or liability in connection with the sale or use of its products.
8. Limited to the replacement of defective parts with the owner paying all other costs including labor.

IV. What is not covered: Lynx shall not be responsible for and shall not pay for the following

1. Damages or problems caused by improper installation or use;
2. Service by an unauthorized service provider;
3. Damage or repair due to service by an unauthorized service provider or use of unauthorized parts;
4. Warranty does not apply to products installed in any commercial or non-residential application. Examples of excluded applications include, but are not limited to day care centers, schools, bed and breakfast centers, churches, private clubs, fire stations, club houses, common areas in multi-family dwellings, restaurants, hotels, nursing homes, food service locations and institutional food service locations.
5. To correct normal adjustments or settings, due to improper installation, commissioning or local supply properties;
6. Shipping and handling costs, export duties, installation, removal, or re-installation cost.
7. Display models are generally sold "as is." If you have purchased a display model, please be advised that it is sold "as is" and that it is subject to the following warranty exclusions: any exterior or cosmetic damage is nonwarrantable; any missing components will be re-placed at consumers expense; major handling damage will be serviced at consumer's expense; all other warranty's (standard warranty) will remain in effect.
8. The cost of a service call to diagnose trouble.

Rev. March 2014

Lynx Professional Grills
7300 Flores Street
Downey, CA 90242
Service: (888) Buy-Lynx (888-289-5969)
Fax: (562) 299-6978
www.lynxgrills.com

