

### Features

- High-arch swing spout with 360-degree rotation offers superior clearance for filling pots and cleaning.
- Ceramic disc valves exceed industry longevity standards, ensuring durable performance for life.
- Single lever handle is simple to use and makes adjusting water temperature easy.
- Temperature memory allows faucet to be turned on and off at the temperature set during prior usage.
- Flexible connections for easy installation.
- 1.8 gallons (6.8 L) per minute maximum flow rate at 60 psi (4.1 bar).
- Meets CalGreen requirements for kitchen faucets.

### Adapters, Rough-in and Extension Kits

1012715 Range: 3-1/4" (83 mm) - 5-3/8" (137 mm)

### Recommended Accessories

1054432 1.5 GPM (5.7 l/min) Aerator Kit



ADA CSA B651

### Codes/Standards

ASME A112.18.1/CSA B125.1  
NSF 61  
NSF 372  
DOE - Energy Policy Act 1992  
ADA  
ICC/ANSI A117.1  
CSA B651  
All applicable US Federal and State material regulations





### KOHLER® Faucet Lifetime Limited Warranty

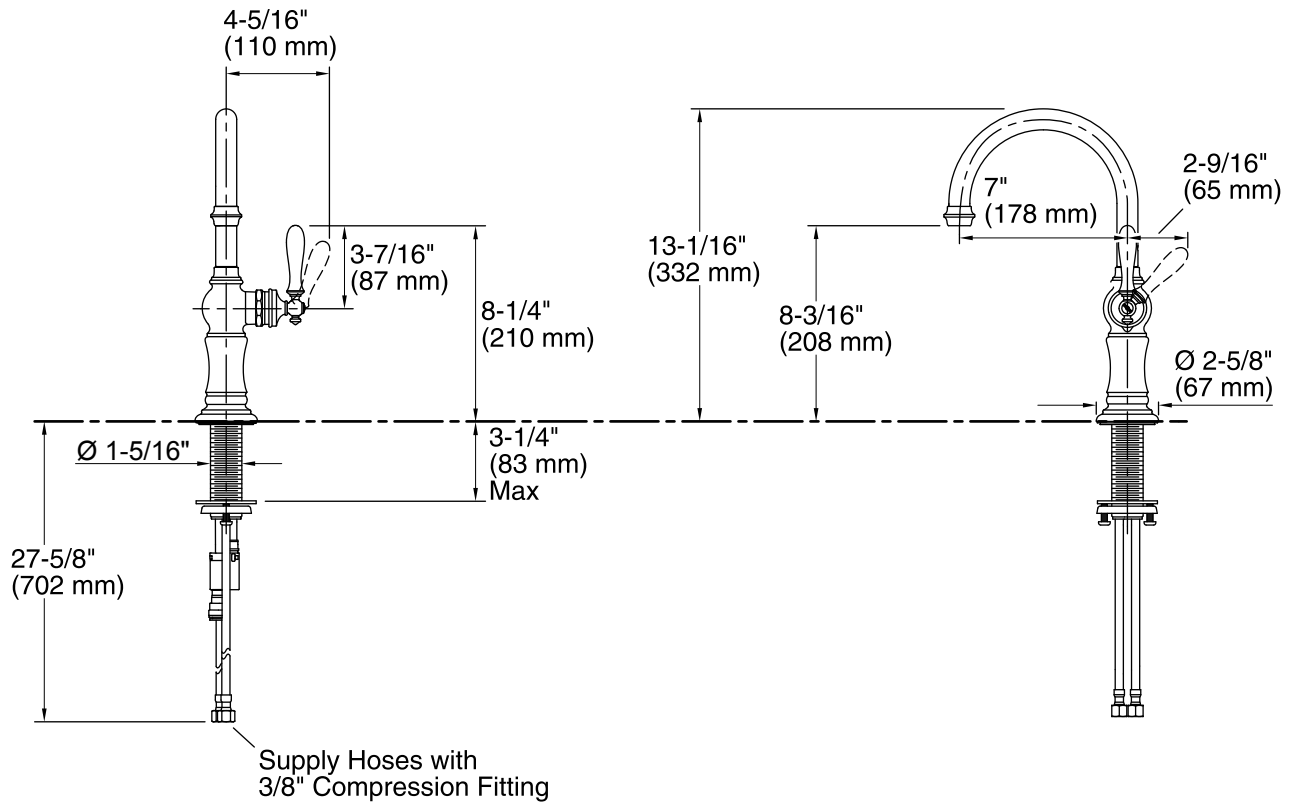
See website for detailed warranty information.

### Available Color/Finishes

*Color tiles intended for reference only.*

#### Color Code Description

	CP	Polished Chrome
	SN	Vibrant® Polished Nickel
	VS	Vibrant® Stainless
	2BZ	Oil-Rubbed Bronze



### Technical Information

All product dimensions are nominal.

Spout reach: 7" (178 mm)

### Faucet:

Flow rate: 1.8 gal/min (6.8 l/min)

Pressure: 60 psi (4.1 bar)

### Notes

Install this product according to the installation guide.

ADA, CSA B651 compliant when installed to the specific requirements of these regulations.