

## Light Duty Commercial Ultra Low NOx High Input Gas Water Heater



Photo is of  
ULG275H763N

### The Ultra Low NOx High Input Models Feature:

- **Bradford White ICON System**<sup>®</sup>—ntelligent gas control with proven millivolt powered technology and built-in piezo igniter. A standard, off the shelf thermopile converts heat energy from the pilot flame into electrical energy to operate the gas valve and microprocessor. No need for external electricity.
  - **Enhanced Performance**—Proprietary algorithms provide enhanced First Hour Rating and tighter temperature differential.
  - **Advanced Temperature Control System**—Microprocessor constantly monitors and controls burner operation to maintain consistent and accurate water temperature levels.
  - **Intelligent Diagnostics**—Exclusive multicolor LED light indicates operation status/service required.
- **Ultra Low NOx Burner with Primary and Secondary Air Distribution Devices**—Ensures proper air to gas ratio for reduction of NOx generated by the combustion process.
- **Maintenance-Free**—No regular cleaning of air inlet openings or flame arrestor is required under normal conditions (ULG250H553N only).
- **Sight Window**—Offers a view into the combustion chamber to observe the operation of the pilot and burner.
- **Factory-Installed Hydrojet**<sup>®</sup> **Total Performance System**—Sediment reducing device that also increases first hour rating of hot water while minimizing temperature build-up in tank.
- **Vitraglas**<sup>®</sup> **Lining**—An exclusively engineered enamel formula that provides superior tank protection from the highly corrosive effects of hot water. This formula (Vitraglas<sup>®</sup>) is fused to the steel surface by firing at a temperature of over 1600°F (871°C).
- **More Precise Temperature Control**—With an adjustable temperature up to 180°F (82°C).
- **Side Connections**—3/4" (19mm) NPT tappings allow an easy connection for space heating applications (potable water only).
- **Insulation System**—Non-CFC foam covers the sides and top of the tank, reducing heat loss. This results in less energy consumption, improved efficiencies, and jacket rigidity.
- **Pedestal Base**—Rugged and durable base allows easy transport and positioning, while providing corrosion-resistant contact with floor.
- **Water Connections**—3/4" (19mm) NPT factory-installed true dielectric fittings extend water heater life and simplify water line connections.
- **Protective Magnesium Anode Rod**—Provides added protection against corrosion for long-term, trouble-free service.
- **Hand Hole Cleanout**—Allows inspection of tank interior and facilitates the removal of sediment deposits (ULG2100H803N models only).
- **4" (107 mm) "Snap Lock" Draft Diverter**
- **T&P Relief Valve**—Installed.
- **Low Restrictive Brass Drain Valve**—Durable tamper proof design.
- **Design Certified by CSA International (formerly AGA/CGA).**
- **ULG250H553N Complies with the latest Ultra Low NOx requirement (10 ng/J NOx limit), ULG275H763N / ULG2100H803N (14 ng/J NOx limit).**

### FEATURING:



### 3 or 5 Year Limited Tank Warranties / 1-Year Limited Warranty on Component Parts.

For more information on warranty, please visit [www.bradfordwhite.com](http://www.bradfordwhite.com)  
For products installed in USA, Canada, and Puerto Rico. Some states do not allow limitations on warranties. See complete copy of the warranty included with the heater.

# Light Duty Commercial Ultra Low NOx High Input Gas Water Heater

## Ultra Low NOx Models

NATURAL GAS

Meet or exceed ASHRAE 90.1b (current standard) C.E.C. Listed  
Recovery efficiency ranging up to 79%

| Model Number | Nominal Gal. Capacity |           | DOE Rated Storage Volume (Gal.) | Input BTU/Hr. | First Hour Rating (Gal.) | Uniform Energy Factor | Recovery at 100°F Rise* |          | Model Number | Nominal Liter Capacity | DOE Rated Storage Volume (Liters) | Input kW | First Hour Rating (Liters) | Uniform Energy Factor | Recovery at 56°C Rise* |
|--------------|-----------------------|-----------|---------------------------------|---------------|--------------------------|-----------------------|-------------------------|----------|--------------|------------------------|-----------------------------------|----------|----------------------------|-----------------------|------------------------|
|              | U.S. Gal.             | Imp. Gal. |                                 |               |                          |                       | U.S. GPH                | Imp. GPH |              |                        |                                   |          |                            |                       |                        |
| ULG250H553N  | 48                    | 40        | 46                              | 55,000        | 110                      | 0.64                  | 53                      | 44       | ULG250H553N  | 182                    | 174                               | 16.1     | 417                        | 0.64                  | 223                    |
| ULG275H763N  | 75                    | 63        | 72                              | 76,000        | 135                      | 0.59                  | 74                      | 62       | ULG275H763N  | 284                    | 273                               | 22.3     | 512                        | 0.59                  | 280                    |
| ULG2100H803N | 100                   | 83        | 95                              | 80,000        | 157                      | 0.57                  | 78                      | 65       | ULG2100H803N | 379                    | 360                               | 23.4     | 595                        | 0.57                  | 295                    |

| Model Number | A Floor to Flue Conn. in. | B Jacket Dia. in. | C Vent Size in. | D Floor to T&P Conn. in. | E Floor to Gas Conn. in. | F Floor to Top of Heater in. | G Floor to Water Conn. in. | H Depth in. | J C/L of Water Conn. in. | K Floor to Space Heating Inlet in. | L Floor to Space Heating Outlet in. | M Water Conn. NPT in. | R Space Heating Conn. Size in. | S Gas Conn. Size in. | Approx. Shipping Weight lbs. |
|--------------|---------------------------|-------------------|-----------------|--------------------------|--------------------------|------------------------------|----------------------------|-------------|--------------------------|------------------------------------|-------------------------------------|-----------------------|--------------------------------|----------------------|------------------------------|
|              |                           |                   |                 |                          |                          |                              |                            |             |                          |                                    |                                     |                       |                                |                      |                              |
| ULG275H763N  | 64 3/4                    | 26                | 4               | 53 9/16                  | 15 1/16                  | 60 3/8                       | 61 15/16                   | 29 9/16     | 11                       | 16 5/8                             | 53 9/16                             | 1                     | 1                              | 1/2                  | 263                          |
| ULG2100H803N | 72 9/16                   | 28 1/4            | 4               | 60 3/8                   | 16 1/2                   | 66 3/8                       | 69 3/8                     | 31 13/16    | 16                       | 18 3/4                             | 51 11/16                            | 1 1/4                 | 1 1/4                          | 1/2                  | 424                          |

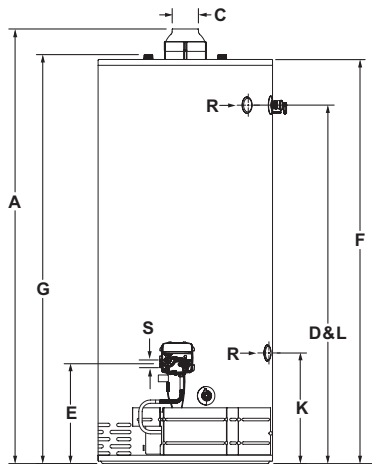
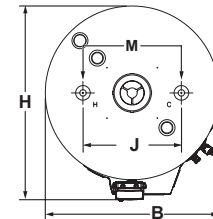
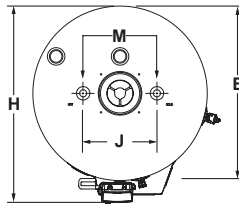
| Model Number | A Floor to Flue Conn. mm. | B Jacket Dia. mm. | C Vent Size mm. | D Floor to T&P Conn. mm. | E Floor to Gas Conn. mm. | F Floor to Top of Heater mm. | G Floor to Water Conn. mm. | H Depth mm. | J C/L of Water Conn. mm. | K Floor to Space Heating Inlet mm. | L Floor to Space Heating Outlet mm. | M Water Conn. NPT mm. | R Space Heating Conn. Size mm. | S Gas Conn. Size mm. | Approx. Shipping Weight kg. |
|--------------|---------------------------|-------------------|-----------------|--------------------------|--------------------------|------------------------------|----------------------------|-------------|--------------------------|------------------------------------|-------------------------------------|-----------------------|--------------------------------|----------------------|-----------------------------|
|              |                           |                   |                 |                          |                          |                              |                            |             |                          |                                    |                                     |                       |                                |                      |                             |
| ULG275H763N  | 1645                      | 660               | 102             | 1354                     | 383                      | 1534                         | 1573                       | 751         | 279                      | 422                                | 1354                                | 25                    | 25                             | 13                   | 119                         |
| ULG2100H803N | 1837                      | 718               | 102             | 1534                     | 419                      | 1686                         | 1768                       | 808         | 406                      | 476                                | 1313                                | 32                    | 32                             | 13                   | 192                         |

Available in Natural Gas only.

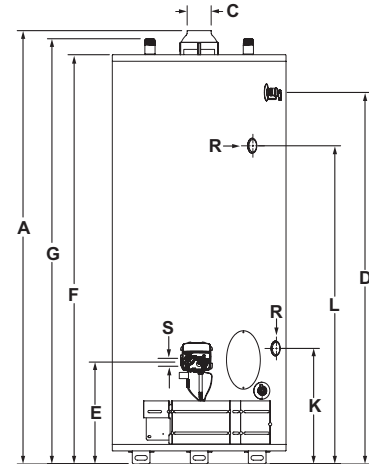
For 5 year models, change suffix from "3" to "5".

\* Based on manufacturer's rated thermal efficiency.

Uniform Energy Factor and First Hour Rating is based on the latest AHRI directory listings.



Models ULG250H3N & ULG275H763N



Model ULG2100H803N

### General:

Meets NAECA or EPCACT Requirements, as applicable.

All gas water heaters are certified at 300 PSI test pressure (2068 kPa) and 150 PSI working pressure (1034 kPa). All gas connections are 1/2" (13mm). All models design-certified by CSA International (formerly AGA/CGA), ANSI standard Z21.10.3 (Z21.10.1 for 48 gallon) and peak performance rated.

**Dimensions and specifications subject to change without notice in accordance with our policy of continuous product improvement.**

**Suitable for Water (Potable) Heating and Space Heating.**

Toxic chemicals, such as those used for boiler treatment, shall NEVER be introduced into this system. This unit may NEVER be connected to any existing heating system or component(s) previously used with a non-potable water heating appliance.

— BRADFORD WHITE IS —



For field service, contact your professional installer or local Bradford White sales representative.

Sales 800-523-2931 ■ Fax 215-641-1612

Technical Support 800-334-3393 ■ Email [techserv@bradfordwhite.com](mailto:techserv@bradfordwhite.com)

Warranty 800-531-2111 ■ Email [warranty@bradfordwhite.com](mailto:warranty@bradfordwhite.com)

International: Telephone 1-215-641-9400 ■ Email [international@bradfordwhite.com](mailto:international@bradfordwhite.com) / [www.bradfordwhite.com](http://www.bradfordwhite.com)

**Built to be the Best™**