



BRADFORD WHITE[®]
W A T E R H E A T E R S

REPLACEMENT PARTS LIST
Residential Gas Manufactured Home
Atmospheric Vent Models



“RG2MH” Models

DEFENDER
SAFETY SYSTEM[®]

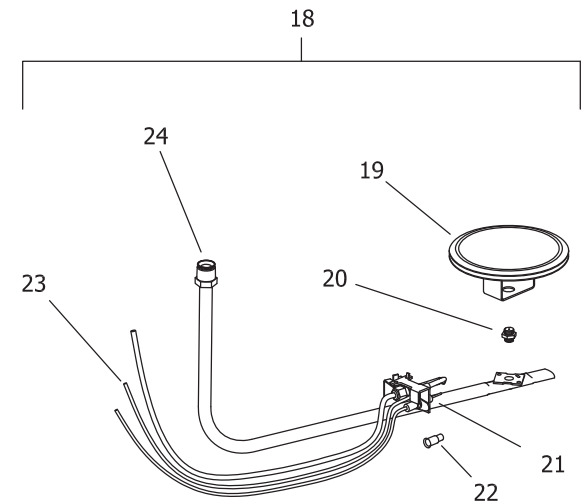
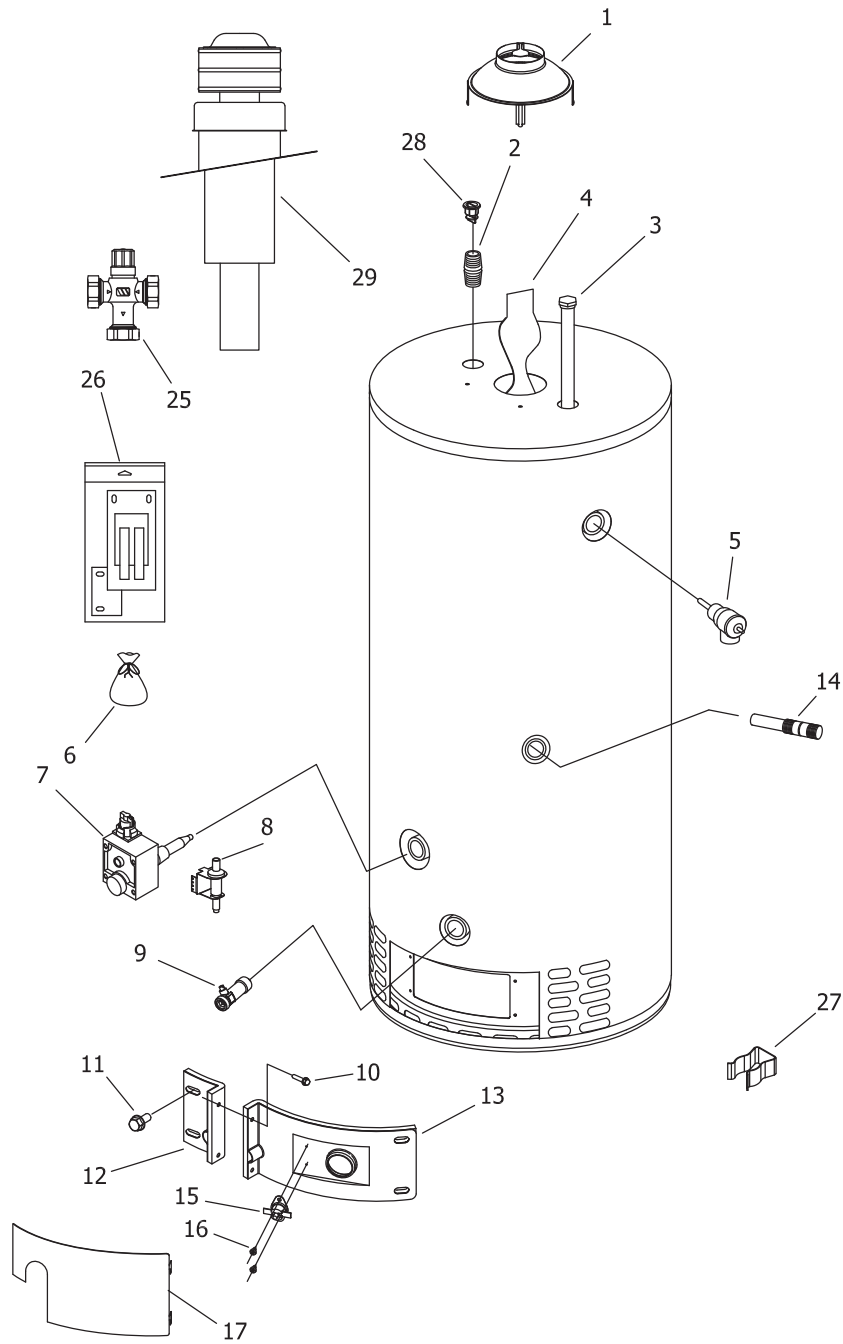
Effective: June, 2018
ECO 8195

**NOTE: BOTH MODEL AND SERIAL
NUMBERS ARE REQUIRED FOR
ORDERING REPLACEMENT PARTS**

Dimensions and specifications
subject to change without notice.

WARNING
CANCER AND REPRODUCTIVE HARM
WWW.P65WARNINGS.CA.GOV

As required by the state of California Proposition 65.



Item	Description	Model	Model
		RG2MH30T	RG2MH40T
1	Draft Diverter	243-45787-00	243-45787-00
2	Nipple 3/4 NPT x 3 ▲	229-50053-03	229-50053-03
3	Hex Anode 3/4 NPT (Magnesium) #	224-47782-08	224-47782-08
	Hex Anode 3/4 NPT (Aluminum) #	224-38508-07	224-38508-07
	Hex Anode 3/4 NPT (A420 Aluminum) #	224-49559-04	224-49559-04
4	Flue Baffle	243-46764-00	243-52582-00
5	T & P Valve	230-40594-02	230-40594-02
6	LP. Gas Conversion Kit 0 Ft. to 2,000 Ft.	243-46928-01	243-46928-08
	LP. Gas Conversion Kit 0 Ft. to 7000 Ft. (-475 model suffixes)	243-46928-10	243-46928-12
	Nat. Gas Conversion Kit	243-46928-03	243-46928-09
	Nat Gas Conversion Kit 0 Ft. to 7000 Ft. (-475 model suffixes) **	243-46928-11	243-46928-13
7	Thermostat Convertible	265-46689-04	265-46689-04
8	Piezo Igniter w/ Brackets	243-43450-00	243-43450-00
9	Brass Drain Valve	265-42351-02	265-42351-02
10	Screw-#8-15 x 3/4 HWH	239-44195-00	239-44195-00
11	Screw-#10-12 x 3/4 HWH SERR	239-44113-00	239-44113-00
12	Left Side Inner Door Complete	239-43968-14	239-43968-16
13	Right Side Inner Door Complete	239-43963-14	239-43963-03
14	Inlet Diptube 3/4 NPT X 3 X 7 1/4 (closed end)	229-38647-14	229-38647-14
15	Resettable Thermal Switch	239-43676-01	239-43676-01
16	Screw-#6-20 x 3/8 PHCR	239-43967-00	239-43967-00
17	Outer Door	243-43962-00	243-43962-00
18	Nat. Gas Burner Assembly Complete***	265-46800-02-38	243-46800-03-36
	LP Gas Burner Assembly Complete***	265-46802-02-63	243-46802-03-52
19	Gas LN Burner**	228-41174-00	228-41174-00
20	Nat. Gas Main Burner Orifice 0 Ft. to 2,000 Ft.**	234-37171-38	234-37171-36
	Nat. Gas High Altitude Orifice 0 Ft. to 7000 Ft. (-475 model suffixes) **	234-37171-42	234-37171-41
	Nat. Gas High Altitude Orifice Kit 7,001 Ft. to 10,000 Ft.	265-51394-03	265-51394-01
	LP Gas Main Burner Orifice 0 Ft. to 2,000 Ft.**	234-37171-1/16	234-37171-52
	LP Gas High Altitude 0 Ft. to 7000 Ft. (-475 model suffixes) **	234-37171-54	234-37171-53
	LP Gas High Altitude Orifice Kit7,001 Ft. to 10,000 Ft.	265-51394-03	265-51394-01
21	Nat. Gas Pilot Assembly**	233-46277-02	233-46277-05
	LP Gas Pilot Assembly**	233-46278-01	233-46278-02
22	Nat. Gas Pilot Orifice**	234-46502-05	234-46502-05
	LP Gas Pilot Orifice**	234-46502-02	234-46502-02
23	Thermocouple**	233-46501-15	233-46501-15
24	Gas Feedline**	233-46801-02	233-46801-03
25	ASSE Approved Mixing Valve (Optional)	239-51778-00	239-51778-00
26	Inner Door Gasket Kit	239-44078-00	239-44078-00
27	Feedline clip	239-47475-00	239-47475-00
28	Heat Trap Insert (Outlet)	239-45167-00	239-45167-00
29	Roof Jack 12" (Fixed)	239-37030-01	239-37030-01
	Roof Jack 18-32" (Adjustable)	239-37030-02	239-37030-02
	Roof Jack 32-60" (Adjustable)	239-37030-03	239-37030-03
	Roof Jack 48-95" (Adjustable)	239-37030-04	239-37030-04
	Earthquake strap	243-51620-00	243-51620-00

*Applies to all warranties.

**Inner door gasket kit recommended.

Anode may need to be cut to length.

***Ordering a complete burner assembly may increase delivery time. Please order the specific component required for the quickest delivery.

▲ Order with item 28.





BRADFORD WHITE®

W A T E R H E A T E R S

Ambler, PA

For U.S. and Canada field service,
contact your professional installer or
local Bradford White sales representative.

Sales/800-523-2931

Technical Support/800-334-3393
Email/techserv@bradfordwhite.com

Warranty/800-531-2111
Email/warranty@bradfordwhite.com

Service Parts/800-538-2020
Email/Parts@bradfordwhite.com

International:
international@bradfordwhite.com



BRADFORD WHITE™ **CANADA**

Halton Hills, Ontario, Canada

Sales & Technical Support/866-690-0961
905-203-0600

Fax/905-636-0666

Email

Warranty/bwccwarranty@bradfordwhite.com
Technical Support/BWCCTech@bradfordwhite.com
Parts/orders@bradfordwhitecanada.com
Orders/ca.orders@bradfordwhite.com

www.bradfordwhite.com