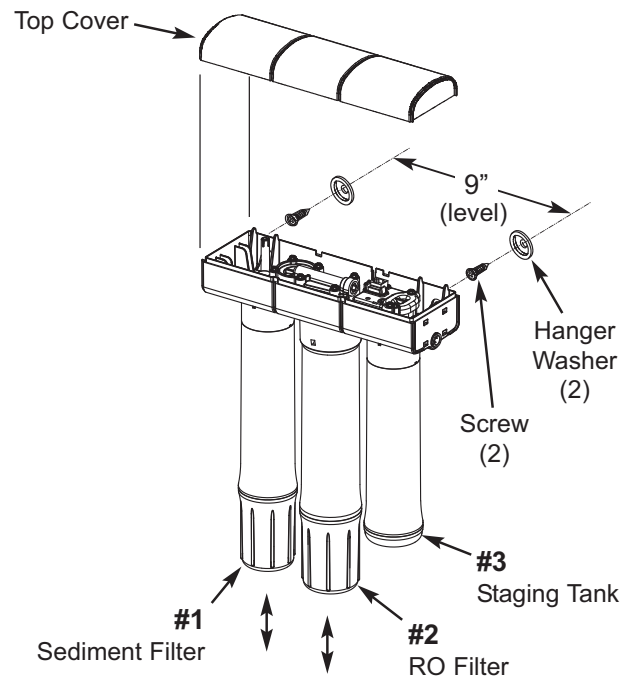


RO SYSTEM ASSEMBLY INSTALLATION

1. Choose a location for the RO system assembly capable of holding up to 7 lbs.
2. Mark screw/washer location 9 inches apart.
3. Fasten screws and hanger washers.
 - Sheet metal install – use sheet metal screws (not provided).
 - Wood stud install – use provided wood screws and hanger washers.
4. Hang the RO system assembly on the hanger washers.
5. Connect Filter Assembly top cover.
6. Connect three filter cartridges in the order below by turning cartridge to the right, ensuring thread is properly engaged and seal is tight.
 - Align #3 staging tank with RO system assembly connection #3.
 - Align #2 RO filter with RO system assembly connection #2.
 - Align #1 sediment filter with RO system assembly connection #1.



NOTE: Be sure to allow a minimum space of 1-1/2" under the system for removing and replacing the filters.

M35398

FIG. 2

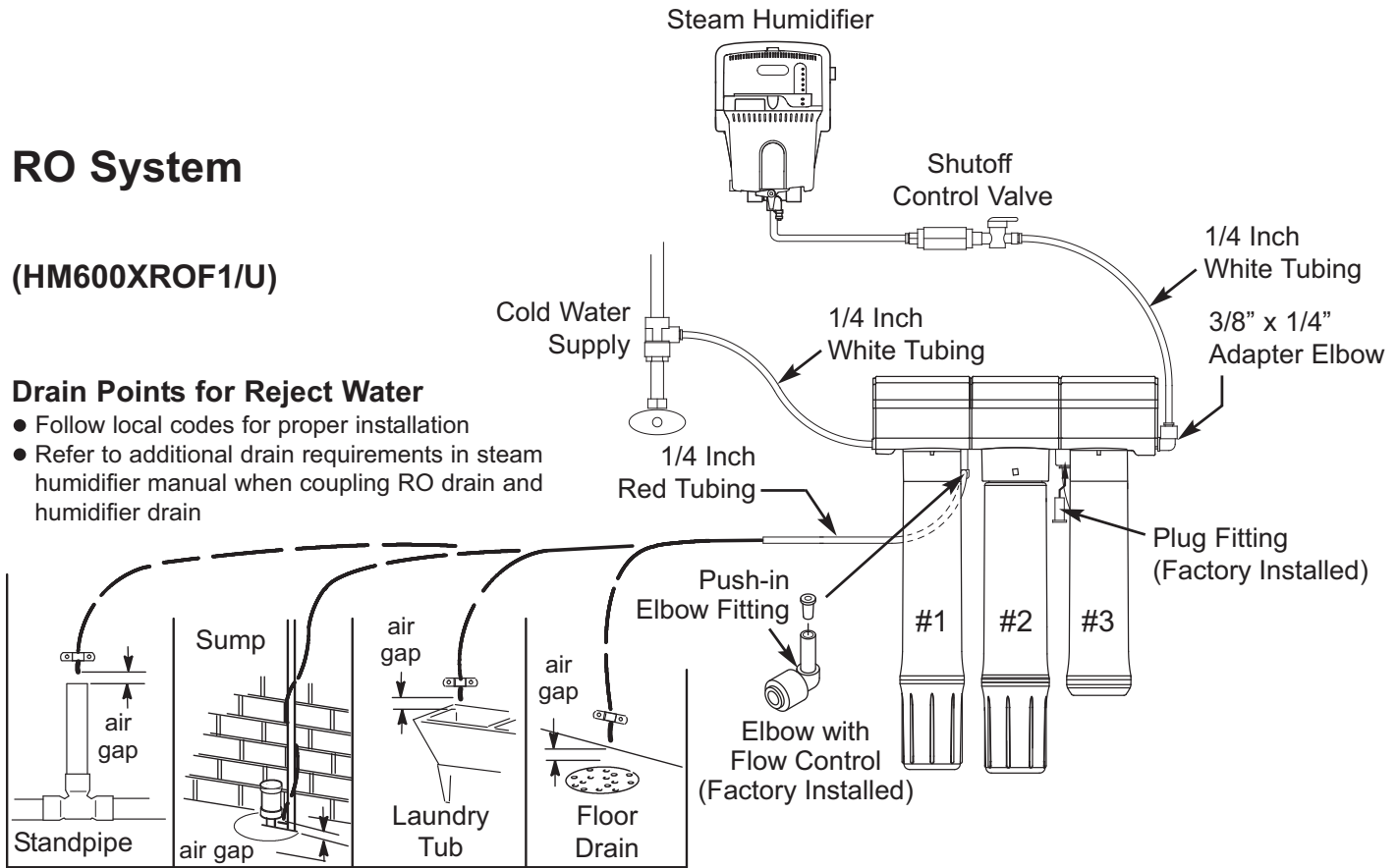
PLUMBING

RO System

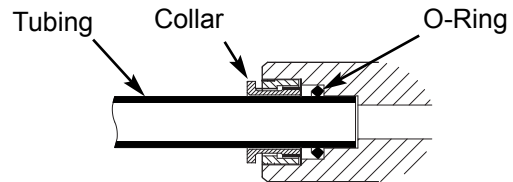
(HM600XROF1/U)

Drain Points for Reject Water

- Follow local codes for proper installation
- Refer to additional drain requirements in steam humidifier manual when coupling RO drain and humidifier drain



- Cut 1/4" dia. tubing lines to fit your installation. Ensure all cuts are evenly made with no nicks, scratches or rough spots on the tube end.
- Longer tubing lengths – nylon or copper – may also be used (not provided). Ends of tubing must be round and free of burrs and scratches to seal properly.
- Install 3/8" x 1/4" adapter elbow into blue outlet port.
- Verify that the plug is in place in the yellow port on the base of the RO System.
- Locate the drain line (1/4" dia. red tube). Install one end of the line into the elbow that is pre-installed in the red port on the RO system. Connect the other end of the line to a drain.
- Push tubing completely into applicable fitting by pushing past initial resistance and then applying light pulling force to ensure a tight fit.



Tube Fully Engaged with Fitting

FIG. 4

- To remove tube from connection, depress collar and pull tubing.

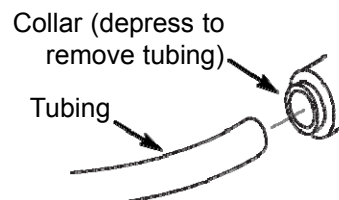


FIG. 5

- Water tube connections to the water supply, filter and steam humidifier must be checked for leaks after installation and a short period of operation.

OPERATION

RO System Assembly

The RO System Assembly directs the flow of water into the filters in numeric order, and out to the steam humidifier. A built-in backflow prevention valve prevents the backward flow of water from the storage tank. The shutoff/check valve provided with the steam humidifier must still be installed between the RO system and the steam humidifier.

#1 Sediment Filter

Cold water enters the sediment filter, reducing chlorine, sand, silt, dirt and other sediment. This filters the feed water before entering the RO filter.

#2 Reverse Osmosis (RO) Cartridge

Filtered water enters the RO filter where dissolved minerals are removed, effectively 'softening' the hardness of the water. This reduces the amount of solid mineral (scale/sediment) fallout inside the steam humidifier's tank. Reducing the amount of scale and sediment increases the time between manual cleanings of the steam humidifier.

#3 Staging Tank Canister

After leaving the storage tank, but before going to the steam humidifier, water enters the #3 staging tank canister. This canister holds the initial water that enters steam humidifier when the solenoid fill valve opens.

NOTE: It is normal to hear the RO System operating the first few days after the initial installation. This will dissipate as air is purged from the system.