



# The Green Solution



## Inline 2" Floor Drain Trap Sealer Model SS2009V



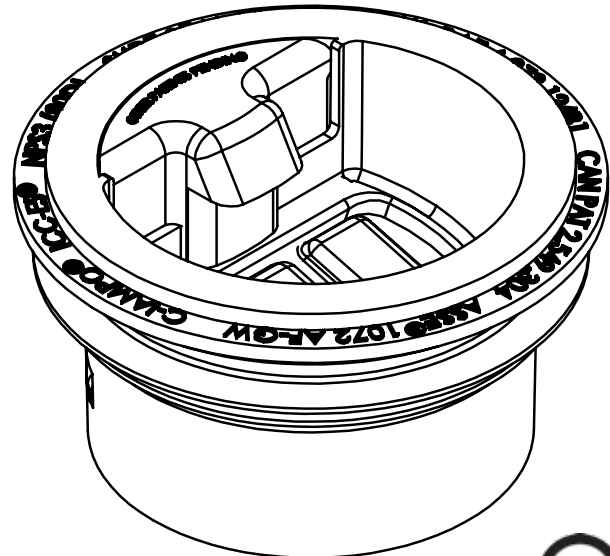
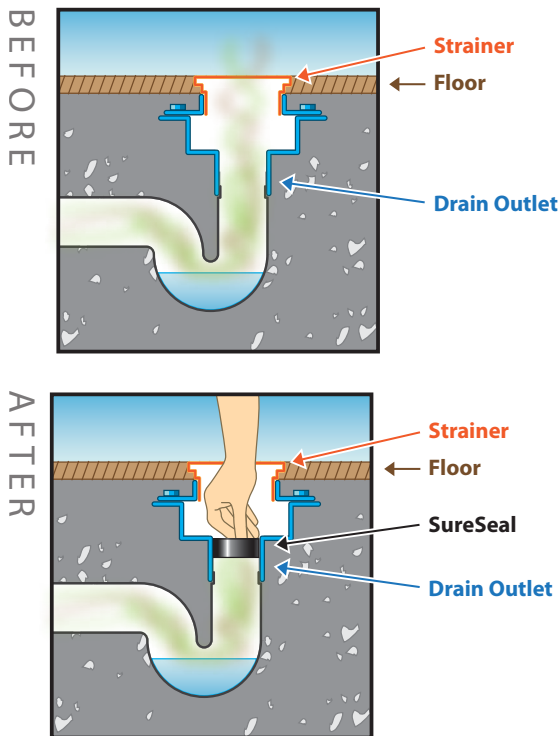
**Specification:** SureSeal Model SS2009V 2" Inline Floor Drain Trap Seal. Commercial grade UV and Ozone resistant ABS plastic housing with proprietary EPDM rubber diaphragm and soft rubber sealing gasket. Floor rating ASSE – 1072 AF-GW.

**Function:** Installed into the outlet of drain bodies, drain strainers, or drain hubs to protect the trap seal from evaporation. Creates a physical barrier that blocks sewer gases and their odors from escaping. Provides waterless trap seal protection equivalent to water based trap primers.

· **New Construction:** Used as a trap primer replacement or in conjunction with a trap primer to provide protection against escaping sewer gases. Eliminates the need to repair/replace trap primers when they fail.

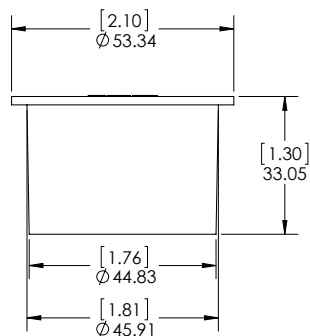
· **Retrofit:** Used in situations where trap primers have failed or where trap primers were never installed.

**Benefits:** Simple to install, eliminates the need for complex, time consuming, and expensive repairs. ECO friendly providing 100% water savings efficiency over traditional methods.

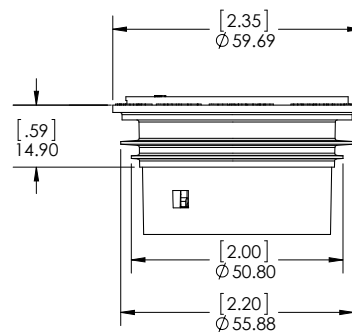


ICC-ES Listed: PMG-1070 IAPMO Listed: C-4165

Patents Pending



HOUSING (NO GASKET)



HOUSING & GASKET