



**BRADFORD WHITE**<sup>®</sup>  
WATER HEATERS

**REPLACEMENT PARTS LIST**

**Residential & Light Duty Commercial Gas  
Power Direct Vent (PDV) Models**



**DEFENDER**  
SAFETY SYSTEM<sup>®</sup>

Includes Hydrojet<sup>®</sup>  
Total Performance System

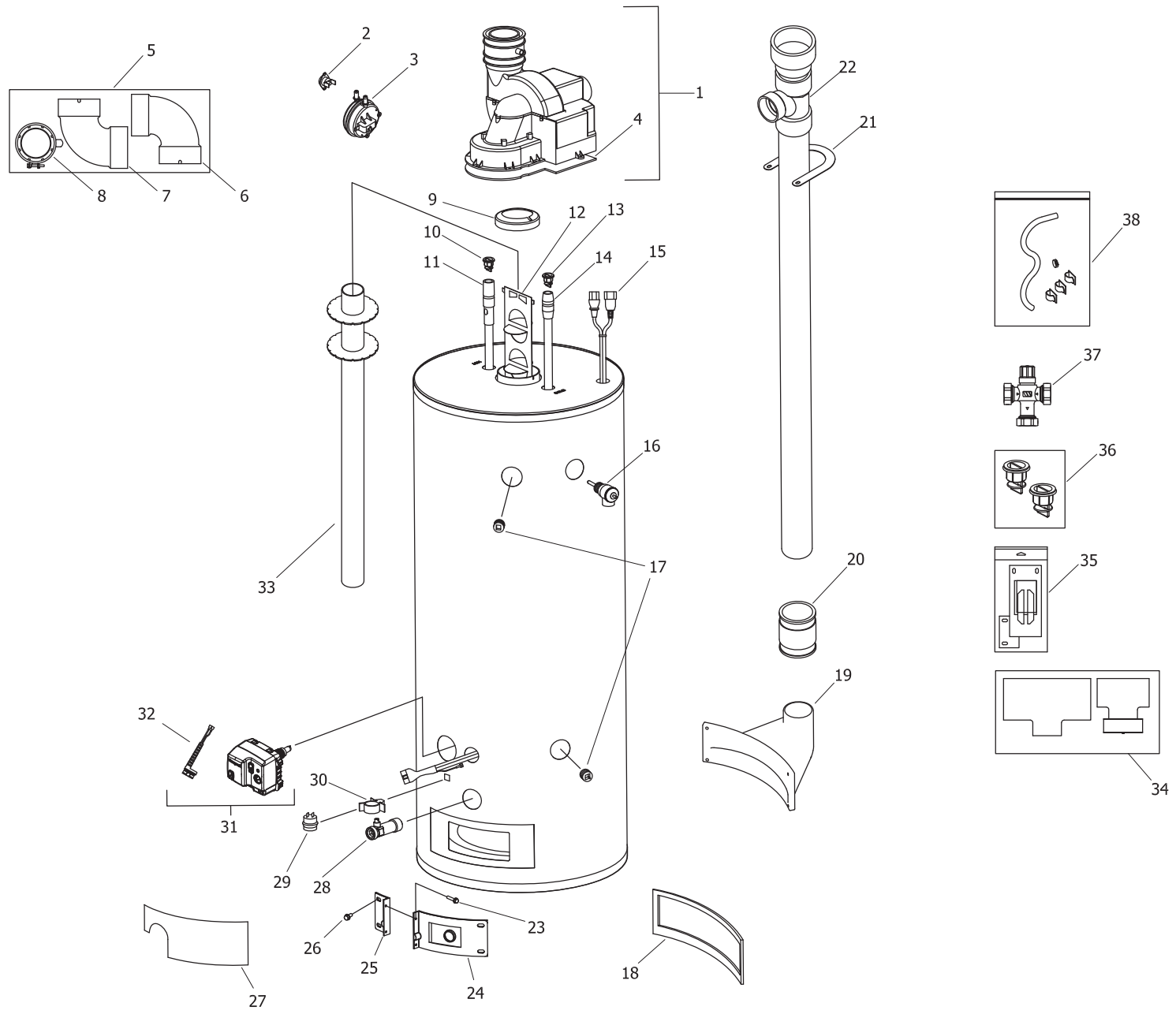
**Effective: June, 2018**  
**ECO 8195**

**NOTE: BOTH MODEL AND SERIAL  
NUMBERS ARE REQUIRED FOR  
ORDERING REPLACEMENT PARTS**

Dimensions and specifications  
subject to change without notice.

**WARNING**  
CANCER AND REPRODUCTIVE HARM  
[WWW.P65WARNINGS.CA.GOV](http://WWW.P65WARNINGS.CA.GOV)

As required by the state of California Proposition 65.



| Item | Description  | Model<br>RG2PDV40S* | Model<br>RG2PDV50S* | Model<br>RG2PDV50H* | Model<br>LG2PDV50H* | Model<br>RG2PDV75H* | Model<br>LG2PDV75H* |
|------|--|---------------------|---------------------|---------------------|---------------------|---------------------|---------------------|
| 1    | Blower Assembly (Normal Alt.) 0 Ft. to 2,000 Ft.                 | 265-47386-00        | 265-47386-00        | 265-47387-00        | 265-47387-00        | 265-47387-00        | 265-47387-00        |
|      | Blower Assembly (-475 model suffixes) 0 ft. to 7,000 Ft.         | 239-48527-00        | 239-48527-00        | 239-48528-00        | 239-48528-00        | 239-48528-00        | 239-48528-00        |
| 2    | Blower Temperature Switch  | 239-48752-00        | 239-48752-00        | 239-48752-00        | 239-48752-00        | 239-48752-00        | 239-48752-00        |
| 3    | Pressure Switch Exhaust (Normal Alt.) 0 Ft. to 2,000 Ft.         | 239-48058-01        | 239-48058-01        | 239-48058-01        | 239-48058-01        | 239-48058-01        | 239-48058-01        |
|      | Pressure Switch Exhaust (-475 model suffixes) 0 Ft. to 7,000 Ft. | 239-48058-02        | 239-48058-02        | 239-48058-02        | 239-48058-02        | 239-48058-02        | 239-48058-02        |
| 4    | Blower Gasket  | 239-45866-00        | 239-45866-00        | 239-45866-00        | 239-45866-00        | 239-45866-00        | 239-45866-00        |
| 5    | Vent Adapter with Vent Terminal                                  | 239-47992-00        | 239-47992-00        | 239-48781-00        | 239-48781-00        | 239-48781-00        | 239-48781-00        |
| 6    | Intake Vent Terminal Elbow                                       | 239-39831-00        | 239-39831-00        | 239-40579-00        | 239-40579-00        | 239-40579-00        | 239-40579-00        |
| 7    | Exhaust Vent Terminal Elbow                                      | 239-39831-00        | 239-39831-00        | 239-40579-00        | 239-40579-00        | 239-40579-00        | 239-40579-00        |
| 8    | Exhaust Adapter  | 239-45709-00        | 239-45709-00        | 239-45639-00        | 239-45639-00        | 239-45639-00        | 239-45639-00        |
| 9    | Flue Reducer   | ---                 | ---                 | 243-42572-00        | 243-42572-00        | ---                 | ---                 |
| 10   | Heat Trap Insert (Outlet)  | 239-45167-00        | 239-45167-00        | 239-45167-00        | 239-45167-00        | 239-45167-00        | 239-45167-00        |
| 11   | Hot Water Outlet Anode (Magnesium) ▲#                            | 224-47776-19        | 224-47776-19        | 224-47776-19        | 224-47776-19        | 224-47776-19        | 224-47776-19        |
|      | Hot Water Outlet Anode (Aluminum) ▲#                             | 224-32999-42        | 224-32999-42        | 224-32999-42        | 224-32999-42        | 224-32999-42        | 224-32999-42        |
|      | Hot Water Outlet Anode (A420 Aluminum) ▲#                        | 224-49560-08        | 224-49560-08        | 224-49560-08        | 224-49560-08        | 224-49560-10        | 224-49560-10        |
| 12   | Flue Baffle  | 239-45372-00        | 239-45372-00        | 239-45373-00        | 239-45373-00        | ---                 | ---                 |
| 13   | Heat Trap Insert (Inlet)   | 239-51556-00        | 239-51556-00        | 239-51556-00        | 239-51556-00        | 239-45167-00        | 239-45167-00        |
| 14   | Cold Water Inlet Diptube (Polysulfone) ▲▲                        | ---                 | ---                 | ---                 | ---                 | 229-45092-09        | 229-45092-09        |
|      | Cold Water Inlet Diptube (PEX) ▲▲                                | 229-51230-20        | 229-51230-20        | 229-51230-26        | 229-51230-29        | ---                 | ---                 |
| 15   | Blower Harness   | 239-45617-03        | 239-45617-03        | 239-45617-02        | 239-45617-02        | 239-45617-02        | 239-45617-02        |
| 16   | T&P Relief Valve   | 230-40594-02        | 230-40594-02        | 230-40594-02        | 230-40594-02        | 230-40594-02        | 230-40594-02        |
| 17   | 3/4 NPT Plug   | ---                 | ---                 | 239-11638-00        | 239-11638-00        | 239-11638-00        | 239-11638-00        |
| 18   | Air Intake Boot Gasket   | 239-47832-00        | 239-47832-00        | 239-47832-00        | 239-47832-00        | 239-47832-00        | 239-47832-00        |
| 19   | Air Intake Boot  | 239-47514-18        | 239-47514-20        | 239-47514-18        | 239-47514-18        | 239-47514-22        | 239-47514-22        |
| 20   | Coupling-2 X 2   | 239-47850-00        | 239-47850-00        | 239-47850-00        | 239-47850-00        | 239-47850-00        | 239-47850-00        |
| 21   | Bracket-Vertical intake  | 239-47671-02        | 239-47671-02        | 239-47671-01        | 239-47671-01        | 239-47671-01        | 239-47671-01        |
| 22   | Tee and vent pipe Assembly                                       | 239-51391-02        | 239-51391-02        | 239-47622-01        | 239-47622-01        | 239-51391-03        | 239-51391-03        |
| 23   | Screw #8-18 x 3/4 HWH  | 239-44195-00        | 239-44195-00        | 239-44195-00        | 239-44195-00        | 239-44195-00        | 239-44195-00        |
| 24   | Right Side Inner Door  | 239-45642-18        | 239-45642-20        | 239-45642-18        | 239-45642-18        | 239-47504-22        | 239-47504-22        |
| 25   | Left Side Inner Door   | 239-43968-18        | 239-43968-20        | 239-43968-18        | 239-43968-18        | 239-43968-20        | 239-43968-20        |
| 26   | Screw #10-12 x 3/4 HWH   | 239-44113-00        | 239-44113-00        | 239-44113-00        | 239-44113-00        | 239-44113-00        | 239-44113-00        |
| 27   | Outer Door   | 243-43962-00        | 243-43962-00        | 243-43962-00        | 243-43962-00        | 243-43962-00        | 243-43962-00        |
| 28   | Brass Drain Valve  | 265-42351-02        | 265-42351-02        | 265-42351-02        | 265-42351-02        | 265-42351-02        | 265-42351-02        |
| 29   | Flammable Vapor Sensor   | 239-45560-00        | 239-45560-00        | 239-45560-00        | 239-45560-00        | 239-45560-00        | 239-45560-00        |
| 30   | Flammable Vapor Sensor Clip                                      | 239-45648-00        | 239-45648-00        | 239-45648-00        | 239-45648-00        | 239-45648-00        | 239-45648-00        |
| 31   | Gas Valve (Natural Gas)  | 239-48795-02        | 239-48795-02        | 265-48795-02        | 265-48795-04        | 265-48795-02        | 239-48795-04        |
|      | Gas Valve (LP Gas)   | 239-48796-02        | 239-48796-02        | 239-48796-02        | 239-48796-04        | 239-48796-02        | 239-48795-04        |
| 32   | Flammable Vapor Sensor Harness                                   | 239-49791-00        | 239-49791-00        | 239-49791-00        | 239-49791-00        | 239-49791-00        | 239-49791-00        |
| 33   | Flue Core  | ---                 | ---                 | ---                 | ---                 | 239-47658-00        | 239-47658-00        |
| 34   | Air Inlet Relief Device  | 239-48391-00        | 239-48391-00        | 239-48392-00        | 239-48392-00        | 239-48392-00        | 239-48392-00        |
| 35   | Inner Door Gasket Kit  | 239-44078-00        | 239-44078-00        | 239-44078-00        | 239-44078-00        | 239-47792-00        | 239-47792-00        |
| 36   | Heat Trap Insert Kit (Inlet & Outlet)                            | 265-51572-00        | 265-51572-00        | 265-51572-00        | 265-51572-00        | 265-45420-00        | 265-45420-00        |
| 37   | ASSE Approved Mixing Valve (Optional)                            | 239-51778-00        | 239-51778-00        | 239-51778-00        | 239-51778-00        | 239-51778-00        | 239-51778-00        |
| 38   | Condensate Hose Kit (Optional)                                   | 239-45875-00        | 239-45875-00        | 239-45875-00        | 239-45875-00        | 239-45875-00        | 239-45875-00        |

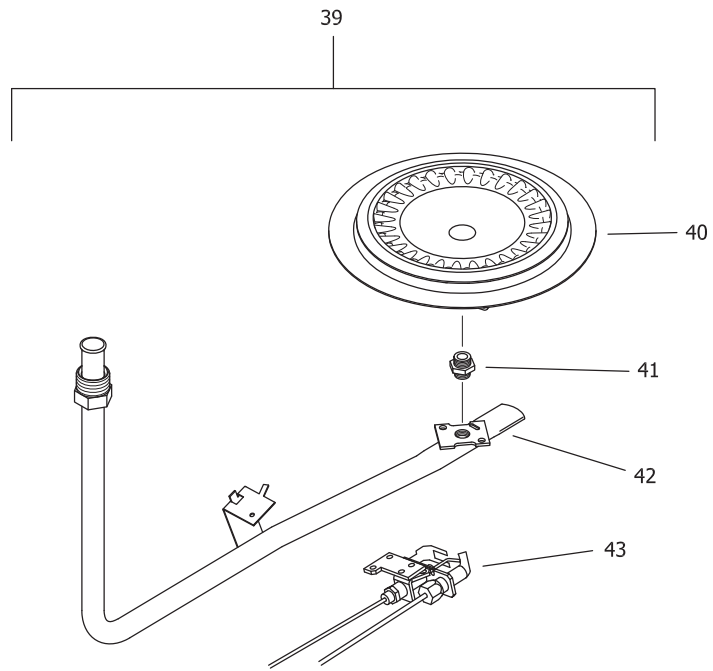
\*Applies to all warranties

Please order the specific component required for the quickest delivery.

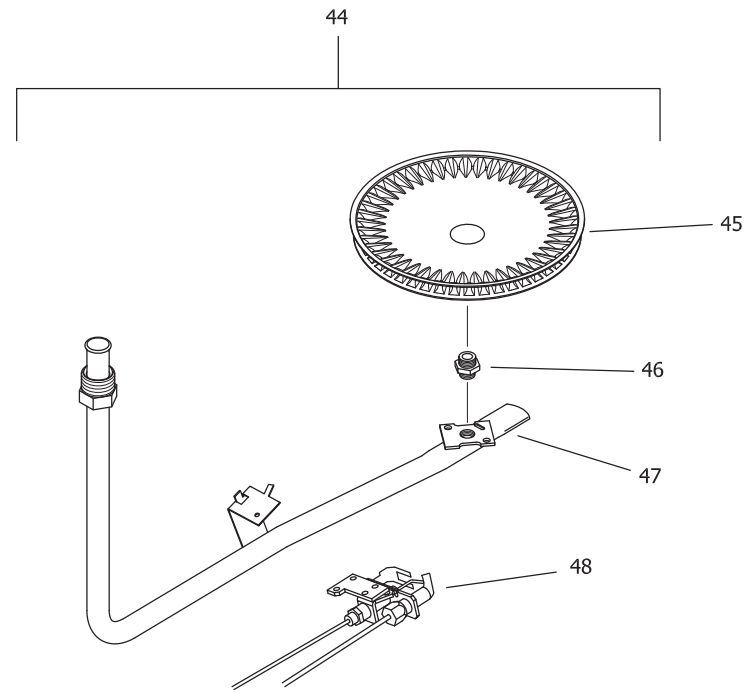
▲ Order with item 10

# Anode may need to be cut to length

▲▲ Order with item 13



NATURAL GAS BURNER ASSEMBLY



LP GAS BURNER ASSEMBLY

| Item Description  | Model<br>RG2PDV40S* | Model<br>RG2PDV50S* | Model<br>RG2PDV50H* | Model<br>LG2PDV50H* | Model<br>RG2PDV75H* | Model<br>LG2PDV75H* |
|---|---------------------|---------------------|---------------------|---------------------|---------------------|---------------------|
| <b><u>NAT Gas Burner Assembly</u></b>                                     |                     |                     |                     |                     |                     |                     |
| 39 Nat. Gas Burner Assembly Complete***                                   | 265-47785-02-32     | 265-47785-03-32     | 265-47784-02-28     | 265-47784-02-28     | 265-51383-01-20     | 265-51383-01-20     |
| 40 Nat. Gas Burner**  | 228-47000-00        | 228-47000-00        | 228-42506-00        | 228-42506-00        | 228-42506-00        | 228-42506-00        |
| 41 Nat. Gas Main Burner Orifice 0 Ft. to 2,000 Ft.**                      | 234-41034-32        | 234-41034-32        | 234-41034-28        | 234-41034-28        | 234-41034-20        | 234-41034-20        |
| Nat. Gas High Altitude Orifice 0 Ft. to 7000 Ft. (-475 model suffixes) ** | 234-41034-36        | 234-41034-36        | 234-41034-30        | 234-41034-30        | 234-41034-26        | 234-41034-26        |
| Nat. Gas High Altitude Orifice Kit 0 Ft. to 10,000 Ft.                    | 265-51380-06-40     | 265-51380-06-40     | 265 51380 06 31     | 265 51380 06 31     | 265 51380 02 29     | 265 51380 02 29     |
| 42 Nat. Gas Feedline  | 233-47374-02        | 233-47374-03        | 243-47784-02        | 233-47374-02        | 233-47374-04        | 233-47374-04        |
| 43 Nat. Gas Pilot Assembly**  | 233-45653-05        | 233-45653-05        | 233-45653-05        | 233-45653-05        | 233-45653-05        | 233-45653-05        |
| <b><u>LP Gas Burner Assembly</u></b>                                      |                     |                     |                     |                     |                     |                     |
| 44 LP Gas Burner Assembly Complete***                                     | 265-47917-02-49     | 265-47917-03-49     | 265-47376-01-44     | 265-47376-01-44     | 265-47376-03-39     | 265-47376-03-39     |
| 45 LP Gas Burner**  | 228-46964-00        | 228-46964-00        | 228-47000-00        | 228-47000-00        | 228-47000-00        | 228-42506-00        |
| 46 LP Gas Main Burner Orifice 0 Ft. to 2,000 Ft.**                        | 234-47064-49        | 234-47064-49        | 234-47064-44        | 234-47064-44        | 234-47064-39        | 234-47064-39        |
| LP Gas High Altitude Orifice 0 Ft. to 7,000 Ft. (-475 model suffixes) **  | 234-47064-51        | 234-47064-51        | 234-47065-47        | 234-47064-47        | 234-47064-43        | 234-47064-43        |
| LP Gas High Altitude Orifice Kit Over 7,001 Ft. to 10,000 Ft.             | 265-51433-05-52     | 265-51433-05-52     | 265 51433 05 49     | 265 51433 05 49     | 265 51433 01 44     | 265 51433 01 44     |
| 47 LP Gas Feedline  | 233-47672-02        | 233-47672-03        | 233-47672-02        | 233-47672-02        | 233-47672-04        | 233-47672-04        |
| 48 LP Gas Pilot Assembly**  | 233-45653-04        | 233-45653-04        | 233-45653-04        | 233-45653-04        | 233-45653-04        | 233-45653-04        |
| LP to Natural Gas Conversion Kit Norm Alt. 0 Ft. to 2,000 Ft.             | 265-46493-94        | 265-46493-95        | 265-46493-49        | 265-46493-112       | 265-46493-113       | 265-46493-115       |
| LP to Natural Gas Conversion Kit (High Alt.) 0 Ft. to 7,000 Ft.           | 265-46493-110       | 265-46493-111       | 265-46493-57        | 265-46493-60        | 265-46493-114       | 265-46493-116       |

\*Applies to all warranties

\*\*Inner door gasket kit (item# 35) recommended

\*\*\*Ordering a complete burner assembly may increase delivery time.  
Please order the specific component required for the quickest delivery.





# **BRADFORD WHITE®**

W A T E R H E A T E R S

Ambler, PA

For U.S. and Canada field service,  
contact your professional installer or  
local Bradford White sales representative.

**Sales/800-523-2931**

**Technical Support/800-334-3393**  
**Email/techserv@bradfordwhite.com**

**Warranty/800-531-2111**  
**Email/warranty@bradfordwhite.com**

**Service Parts/800-538-2020**  
**Email/Parts@bradfordwhite.com**

**International:**  
**international@bradfordwhite.com**



# **BRADFORD WHITE™**

## **CANADA**

Halton Hills, Ontario, Canada

**Sales & Technical Support/866-690-0961**  
**905-203-0600**

**Fax/905-636-0666**

### **Email**

**Warranty/bwccwarranty@bradfordwhite.com**  
**Technical Support/BWCCTech@bradfordwhite.com**  
**Parts/orders@bradfordwhitecanada.com**  
**Orders/ca.orders@bradfordwhite.com**

**www.bradfordwhite.com**