

Design Guide with
**Installation
Instructions**

Wine Chiller, Wine Reserve
and Beverage Center

Safety Information

BEFORE YOU BEGIN

Read these instructions completely and carefully.

- **IMPORTANT** – Save these instructions for local inspector's use. Observe all governing codes and ordinances.
- **Note to Installer** – Be sure to leave these instructions with the Consumer.
- **Note to Consumer** – Keep these instructions with your Owner's Manual for future reference.

If you received a damaged refrigerator, you should immediately contact your dealer or builder.

Skill Level – Installation of this refrigerator requires basic mechanical, carpentry and plumbing skills. Proper installation is the responsibility of the installer. Product failure due to improper installation is not covered under the GE Appliance Warranty. See the Owner's Manual for warranty information.

! This is the safety alert symbol. This symbol alerts you to potential hazards that can kill or hurt you and others. All safety messages will follow the safety alert symbol and the word "DANGER", "WARNING", or "CAUTION". These words are defined as:

! **DANGER** Indicates a hazardous situation which, if not avoided, **will** result in death or serious injury.

! **WARNING** Indicates a hazardous situation which, if not avoided, **could** result in death or serious injury.

! **CAUTION** Indicates a hazardous situation which, if not avoided, **could** result in minor or moderate injury.

! **WARNING**  **Explosion Hazard.**

Keep flammable materials and vapors, such as gasoline, away from refrigerator. Failure to do so can result in fire, explosion, or death.

! **WARNING** To reduce the risk associated with choking, do not allow children under 3 years of age to have access to small parts during the installation of this product.

For Monogram local service in your area, call 1.800.444.1845.
For Monogram service in Canada, call 1.800.561.3344

For Monogram Parts and Accessories, call 1.800.626.2002.
www.monogram.com

CONNECTING ELECTRICITY

! **WARNING**  **Electrical Shock Hazard.**

Plug into a grounded 3-prong outlet
Do not remove the ground prong
Do not use an adapter

Failure to follow these instructions can result in death, fire, or electrical shock.

Do not, under any circumstances, cut or remove the third (ground) prong from the power cord.
For personal safety, this appliance must be properly grounded.

The power cord of this appliance is equipped with a 3-prong (grounding) plug which mates with a standard 3-prong (grounding) wall outlet to minimize the possibility of electric shock hazard from this appliance.

Have the wall outlet and circuit checked by a qualified electrician to make sure the outlet is properly grounded.

Where a standard 2-prong wall outlet is encountered, it is your personal responsibility and obligation to have it replaced with a properly grounded 3-prong wall outlet. Do not use an adapter.

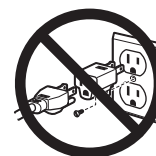
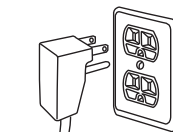
The refrigerator should always be plugged into its own individual electrical outlet which has a voltage rating that matches the rating plate.

A 115 Volt AC, 60 Hz, 15- or 20-amp fused, grounded electrical supply is required. This provides the best performance and also prevents overloading house wiring circuits which could cause a fire hazard from overheated wires.


Never unplug your refrigerator by pulling on the power cord. Always grip plug firmly and pull straight out from the outlet.


Repair or replace immediately all power cords that have become frayed or otherwise damaged. Do not use a cord that shows cracks or abrasion damage along its length or at either end.


When moving the refrigerator away from the wall, be careful not to roll over or damage the power cord.






Consignes de Sécurité


 Ce symbole représente une alerte de sécurité. Ce symbole vous avise de dangers possibles pouvant causer la mort, des blessures ou autres. Tous les messages de sécurité seront précédés du symbole d'alerte de sécurité ainsi que des mots « DANGER », « AVERTISSEMENT » ou « MISE EN GARDE ». Ces messages sont les suivants :

 **DANGER** Signale une situation qui présente un danger imminent et qui, si elle n'est pas évitée, entraînera des blessures graves, voire la mort.


 **AVERTISSEMENT** Signale une situation qui présente un danger imminent et qui, si elle n'est pas évitée, peut entraîner des blessures graves, voire la mort.

 **ATTENTION** Signale une situation qui présente un danger imminent et qui, si elle n'est pas évitée, peut entraîner des blessures mineures ou graves.

 **AVERTISSEMENT**  **Risque d'explosion.**
Conservez les matériaux et vapeurs inflammables tels que l'essence à l'écart de votre réfrigérateur. Le non-respect de cette instruction peut entraîner un risque d'incendie, d'explosion ou de décès.

 **AVERTISSEMENT** Pour réduire le risque d'étouffement pendant l'installation de ce produit, ne pas laisser les petites pièces à la portée des enfants âgés de moins de 3 ans.

BRANCHEMENTS ÉLECTRIQUES

 **AVERTISSEMENT**  **Risque de choc électrique.**

Branchez l'appareil dans une prise triple avec terre.

Ne retirez pas la broche de terre.

N'utilisez pas d'adaptateur.

Le non-respect de ces instructions peut entraîner des risques d'incendies, des chocs électriques ou la mort.

Ne coupez pas ou n'enlevez pas, sous aucun prétexte, la troisième broche de mise à la terre du cordon d'alimentation. Pour des raisons de sécurité, cet appareil doit être correctement mis à la terre.

Le cordon d'alimentation de cet appareil est équipé d'une fiche à trois broches (pour une mise à la terre) qui s'adapte à la prise de courant standard à 3 broches (pour une mise à la terre) pour minimiser les risques de chocs électriques par cet appareil.

Faites vérifier la prise murale et le circuit électrique par un électricien qualifié pour s'assurer que le système est correctement mis à la terre.

Dans le cas d'une prise biphasée, l'installateur a la responsabilité et l'obligation de la remplacer par une prise triphasée correctement mise à la terre. N'utilisez pas d'adaptateur.

Le réfrigérateur doit toujours être branché à sa propre prise électrique d'une tension nominale correspondant à celle indiquée sur sa plaque signalétique.

Une alimentation électrique à 115 volts CA, 60 Hz, avec un fusible de 15 ou 20 ampères et une mise à la terre est nécessaire. Ceci permet d'obtenir un meilleur rendement et évite de surcharger les circuits électriques du domicile qui risque d'occasionner un incendie en surchauffant.

Ne débranchez jamais le réfrigérateur en tirant sur le cordon d'alimentation. Prenez toujours fermement la fiche en main et tirez pour la sortir de la prise.

Réparez ou remplacez immédiatement tout cordon électrique usé ou endommagé. N'utilisez pas un cordon fissuré ou présentant des dommages dus aux frottements soit sur sa longueur ou aux extrémités.

Lorsque vous éloignez votre réfrigérateur du mur, faites attention à ne pas le faire rouler sur le cordon d'alimentation afin de ne pas l'endommager.



Design Guide

CONTENTS

Important Information	2, 3
Design Guide	
Tools Required	4
Parts Supplied	4
Staining Wood Drawer Fronts	4
Installing Custom Frame Panel	4
The Installation Space	4, 5
Product Clearances	5
Side-by-Side Installation	5
Installation Instructions	
Step 1, Remove Packaging.....	6
Step 2, Reverse Door Swing.....	6
Step 3, Leveling.....	7
Step 4, Connect Power.....	7
Step 5, Slide Product into Cutout.....	7
Step 6, Set Temperature Controls.....	7
Custom Frame Panel Models.....	7

TOOLS REQUIRED

- #2 Phillips screwdriver
- Adjustable wrench

PARTS SUPPLIED

- Hardware for changing door swing
- Optional stainless steel toe-kick with screws and spacers
- Left and right side hinge covers
- Top screw hole cover

STAINING WOOD DRAWER FRONTS

The drawer fronts are unfinished cherry wood. During use, oil from hands may accumulate and stain the wood.

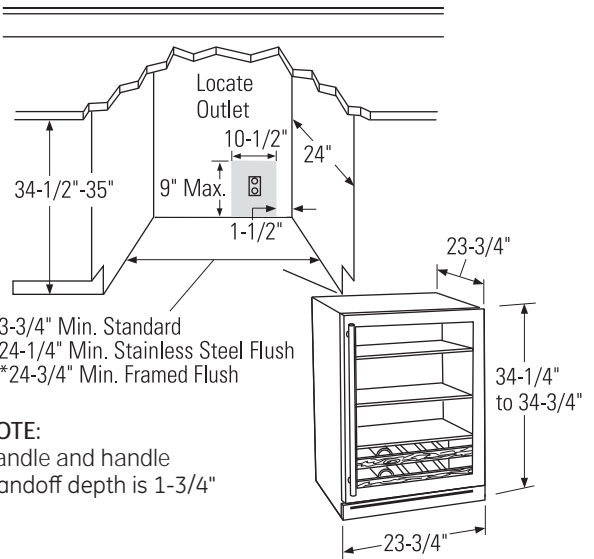
- The drawer fronts may be stained and sealed to match adjacent cabinetry. The tinted glass will make the stained wood appear darker. A true color match can be seen only when the door is opened.
- Apply the stain and sealer according to the manufacturer's instructions. To avoid unpleasant odor, keep the door open to ventilate and allow the stain/sealer to dry completely before using the product.

INSTALLING THE CUSTOM FRAME PANEL

Go to page 6 for custom frame panel size, depending on your cabinet size and style.

- Install a custom handle of your choice onto the custom panel before the panel is secured to the door.
- The custom panel should be installed before sliding the product into the installation location.

THE INSTALLATION SPACE



- *23-3/4" Min. Standard
- **24-1/4" Min. Stainless Steel Flush
- ***24-3/4" Min. Framed Flush

NOTE:
Handle and handle
standoff depth is 1-3/4"

*For a standard installation of Custom-Framed unit: The product must be installed so that the front face will project 2" forward of adjacent cabinets. This position will allow a full door swing and prevent interference with adjacent cabinetry. The opening between cabinets must be 23-3/4" minimum.

**For a standard installation of Stainless Steel unit: The product must be installed so that the front face will project 1-3/4" forward of adjacent cabinets. This position will allow a full door swing and prevent interference with adjacent cabinetry. The opening between cabinets must be 23-3/4" minimum.

***For a flush installation of Stainless Steel unit: Install a 1/2"-wide filler strip on the hinge side. The filler strip will act as a spacer between the door case and adjacent cabinets and will prevent interference with the cabinet door swing. Recess the filler strip 2" back from the front face of the unit, or even with the front edge of the product case (behind the gasket). The width of the opening must be 24-1/4" (including the 1/2" filler strip).

***For a flush installation of Custom-Framed unit: Install a 1"-wide filler strip on the hinge side. The filler strip will act as a spacer between the door case and adjacent cabinets and will prevent interference with the cabinet door swing. Recess the filler strip 2" back from the front face of the unit, or even with the front edge of the product case (behind the gasket). The width of the opening must be 24-3/4" (including the 1" filler strip).

- The wine chiller, wine reserve and beverage center can be installed freestanding.

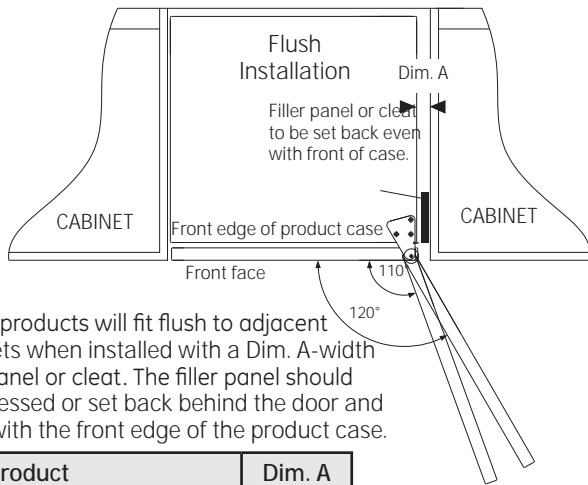
Additional Specifications

- A 120 volt 60Hz., 15 or 20 amp power supply is required. An individual properly grounded branch circuit or circuit breaker is recommended. Install a properly grounded 3-prong electrical receptacle recessed into the back wall as shown. Electrical must be located on rear wall as shown.

NOTE: GFI (ground fault interrupter) is not recommended.

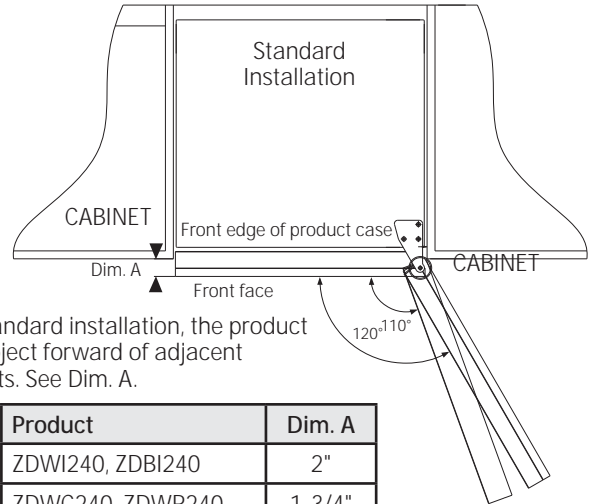
Design Guide

THE INSTALLATION SPACE (cont.)



These products will fit flush to adjacent cabinets when installed with a Dim. A-width filler panel or cleat. The filler panel should be recessed or set back behind the door and even with the front edge of the product case.

Product	Dim. A
ZDWI240, ZDBI240	1"
ZDWC240, ZDWR240	1/2"
ZDBC240, ZDBR240	1/2"



In a standard installation, the product will project forward of adjacent cabinets. See Dim. A.

Product	Dim. A
ZDWI240, ZDBI240	2"
ZDWC240, ZDWR240	1-3/4"
ZDBC240, ZDBR240	1-3/4"

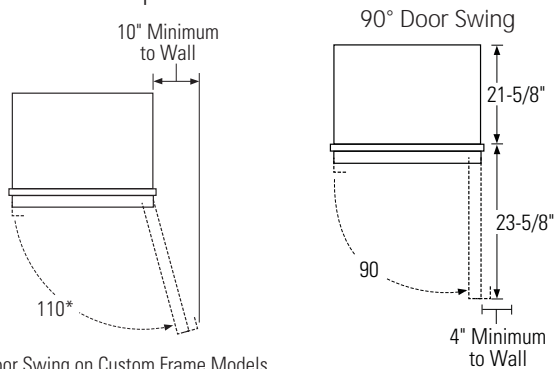
PRODUCT CLEARANCES

The stainless steel wine chiller, wine reserve and beverage center is factory set for a 110° door swing. Models that accept custom panels have a 95° door swing.

When installed in a corner:

- Allow 4" min. clearance on the hinge side for the 90° door swing and to allow racks to slide out.
- Allow 10" minimum clearance on the hinge side for a full 110° door swing. (Models ZDWI240WII and ZDBI240WII have a 95° door swing.)

NOTE: Custom handle clearances may vary, depending on custom handle depth.



*95 Door Swing on Custom Frame Models

- The door swing is reversible on all models. If desired, change the door swing before installation or before installing the custom frame panel.

Choose the location:

- These products may be closed in on the top and three sides as long as the front is unobstructed for air circulation and proper access to the door.
- Do not install these products where the temperature will go below 55°F (13°C) or above 90°F (32°C).
- Do not install where it will be subject to direct sunlight, heat or moisture.

PRODUCT CLEARANCES (Cont.)

- These products are not designed to be stacked one over the other.

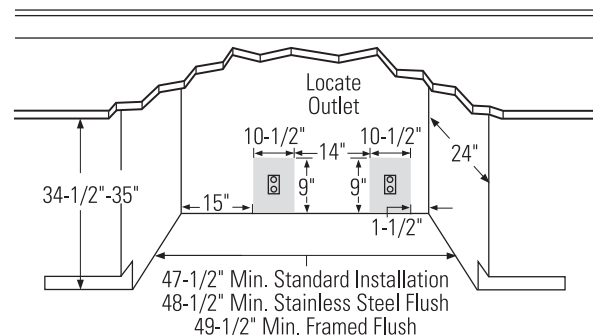
Black or Stainless Steel Toekick Options

- These products are shipped with a black toekick installed. An optional stainless steel toekick is also supplied with each product. For shipping purposes, the stainless steel toekick is secured to the back of the unit.

SIDE-BY-SIDE INSTALLATIONS

Increase storage capacity by installing two Monogram beverage centers, wine chillers or wine reserves together. Or, for a complete refreshment center, install any two of these units together.

- A side-by-side installation requires at least a 47-1/2"-wide minimum opening for standard installation and a 48-1/2"-wide minimum opening for flush installation of stainless steel models. A 49-1/2"-wide minimum opening is required for side-by-side flush installation of custom framed models.
- Products must operate from separate, properly grounded receptacles.



Installation Instructions

STEP 1 REMOVE PACKAGING

- Remove corner blocks and foam drawer stops.
- Remove all packing material, tape and protective plastic coverings.
- Remove stainless steel toekick taped to the back of the unit.

⚠ WARNING Small objects are a choke hazard for children. Remove and discard any parts not used.

⚠ AVERTISSEMENT Les petits objets peuvent étrangler les enfants. Il faut jeter toutes les pièces qui ne sont pas utilisées.

STEP 2 REVERSE DOOR SWING

SKIP THIS STEP IF DOOR SWING SUITS THE INSTALLATION

Parts Included:

- Top left case hinge
- Bottom left case hinge
- Left and right side decorative hinge cover
- Decorative hinge screw hole cover
- Torx® driver bit

Tools Required:

- Phillips screwdriver
- Electric drill

Remove the door:

- Flatten the shipping carton to use as a pad.
- Remove the 2 screws and the toekick. Set aside the screws and toekick for final installation.
- Use the supplied Torx® bit and electric drill to remove the 3 screws holding the top case hinge. Lift off the hinge. (Screws will be used to install the new hinge.)
- Lift the door off the bottom case hinge.
- Remove the bottom case hinge pin and bracket.

Rotate the door:

The handle will be on the right side of the door; hinges will be installed on the left side of the case.

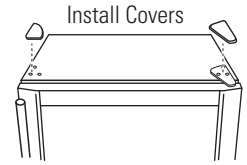
- Remove the door stop and cam riser on the original bottom right side of the door.
- Remove the fill plug on the top right side of the door.
- Turn the door over and reinstall the fill plug on the new left side.

Reinstall the door:

- Install the original door stop and cam riser onto the bottom left side of the door.
- Install the new supplied bottom case hinge pin and bracket onto bottom left side.
- Place the door onto the bottom case hinge.
- Install the supplied left-hand top case hinge with the 3 original screws.
- Select the hinge cover marked with an "L".

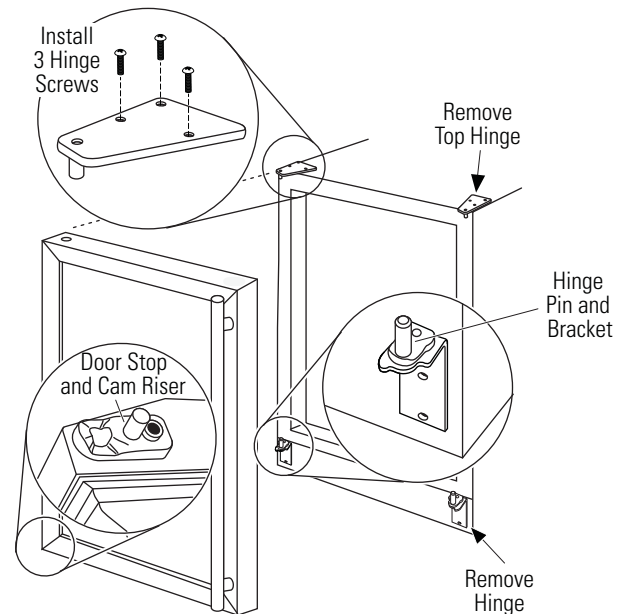
STEP 2 REVERSE DOOR SWING (Cont.)

- Peel backing off the tape inside the decorative hinge cover.
- Press and snap the hinge cover into place.
- Snap the screw hole cover into place on the opposite side.



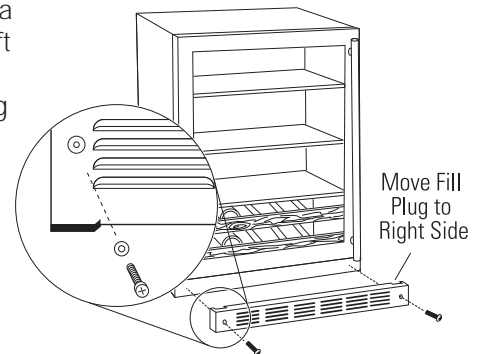
IMPORTANT:

Check to be sure screws are tight and that the door is straight and does not sag. The door should swing freely.



Install Toekick

The toekick has a cutout on the left and right sides. Remove the plug on the left side and reinstall on the right side. If you choose to install the stainless steel toekick, reinstall the plug on the right side of that toekick.

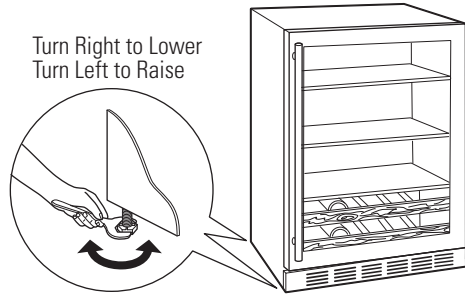


- Install original screws and spacers or screws and spacers supplied with the stainless steel toekick. Install screws through the spacer standoff, toekick and into the base as shown.

Installation Instructions

STEP 3 LEVEL

- Use an adjustable wrench to turn the leveling legs and raise or lower the product.
- Adjust carefully; the product should be level and plumb with cabinetry, and should align with adjacent toekick height.



If you skipped Step 2:

- Select the hinge cover marked "R" or "L", depending on door swing.
- Peel backing off the tape inside the decorative hinge cover. Press and snap into position.
- Snap the screw hole cover into place on the opposite side.

STEP 4 CONNECT POWER

- Connect power cord plug to a properly grounded receptacle.
- Check to make sure power is on by opening the door to see if interior light turns on.

STEP 5 SLIDE PRODUCT INTO THE CUTOUT

- Carefully, slide the unit into the opening. Be careful not to entangle the power cord.
- Make certain that the door protrudes 1" beyond the surrounding cabinets (1-7/8" for custom frame models).
- Check again to be sure the unit is level.

STEP 6 SET TEMPERATURE CONTROLS

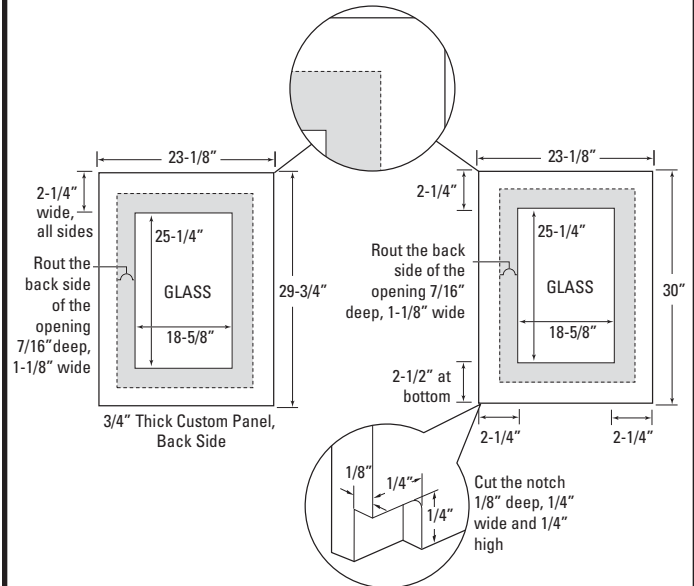
- The temperature controls are preset. Refer to the Owner's Manual for more information. Allow 24 hours for temperature to stabilize.

CUSTOM FRAME PANEL MODELS

Model ZDWI240WII and ZDBI240WII

These models require a custom panel frame surrounding the glass. There are two options: the panel may be 29-3/4" or 30" high. A 30" panel requires a notch cut into the bottom of the panel to avoid interference with the hinges.

- Rout the back side of the panel to the dimensions shown.
- A custom handle of your choice or ZTBSS1 Tubular Handle must be installed before the panel is mounted onto the door.

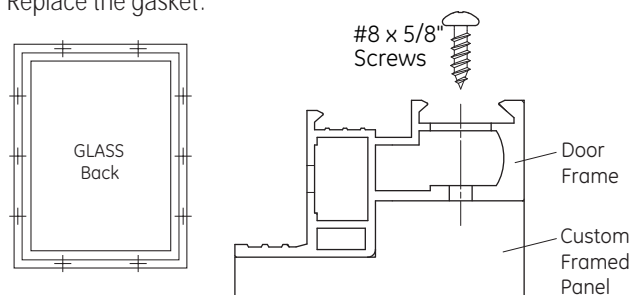


Choose Option 1 or Option 2 panel size depending on cabinetry size or style.

NOTE: A solid panel that covers the door glass CANNOT be installed on these models.

Install the custom panel:

- Open the door fully.
- Remove the gasket surrounding the inside of the door to expose the existing screw holes for the custom panel.
- Hold the custom frame panel against the door and align carefully, top to bottom and side to side. Mark screw hole locations on the back side of the panel.
- Drill pilot holes in the back side of the custom panel. In hardwood, drill 3/32" pilot holes. In softwood, drill 5/64" holes.
- Secure the prepared panel to the door using ten (10) #8 x 5/8" screws. Drive the screws through the door frame and into the wood.
- Replace the gasket.



Note: While performing installations described in this book, safety glasses or goggles should be worn.

For Monogram® local service in your area, call 1.800.444.1845.

Note: Product improvement is a continuing endeavor at General Electric. Therefore, materials, appearance and specifications are subject to change without notice.

Pub. No. 31-46122-4

Part No. 197D7840P001

01-15 GE

Printed in Slovenia



GE
Appliances

Appliance Park
Louisville, KY 40225
GEAppliances.com