

# JP5036DJ

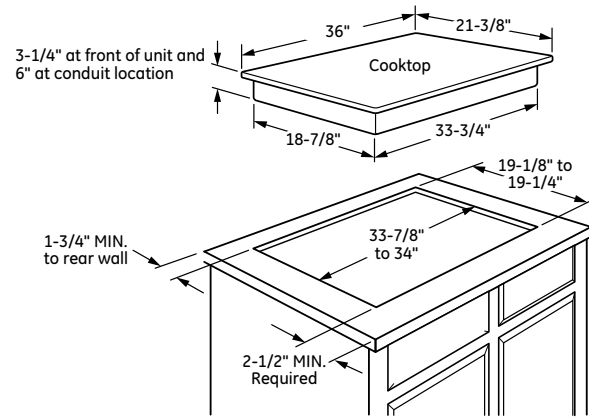
## GE® 36" Built-In Touch Control Electric Cooktop

### DIMENSIONS AND INSTALLATION INFORMATION (IN INCHES)

**IMPORTANT:** Requires a 5" free area between the bottom of the cooktop to any combustible material, i.e., shelving. Free area not required when installing wall oven underneath cooktop. Refer to installation instructions. Requires a 15" minimum from cooktop to adjacent overhead cabinets. Units are furnished with a 48" flexible armored cable.

**NOTE:** 36" Ribbon cooktops are approved for use over select GE 30" Single Wall Ovens and Warming Drawers. Refer to cooktop and wall oven/warming drawer installation instructions packed with product for current dimensional data. If installed with a GE Telescopic Downdraft System, consult both the cooktop and downdraft installation instructions packed with product before installing. Cooktop gas/electric supply may need to be re-routed to install downdraft. The countertop cutout requires 23-1/2" minimum flat countertop surface and 25" minimum total countertop depth. In addition, other clearances to front edge of the countertop must be considered. **Before installing, consult installation instructions packed with product for current dimensional data.**

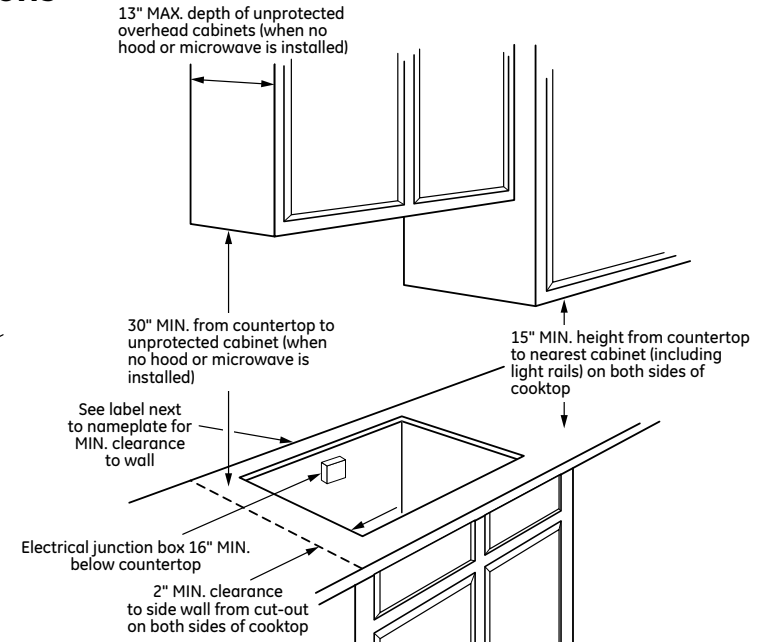
### APPROXIMATE COOKING DIMENSIONS



To insure accuracy, it is best to make a template when cutting the opening in the counter

KW Rating	
240V	9.6
208V	8.3
Amperage	
240V	40 Amps†
208V	40 Amps†

†**NOTE:** Check local codes for required breaker size



For answers to your Monogram,® GE Profile™ or GE® appliance questions, visit our website at [geappliances.com](http://geappliances.com) or call GE Answer Center® service, 800.626.2000.



# JP5036DJ

## GE® 36" Built-In Touch Control Electric Cooktop

### FEATURES AND BENEFITS

Five radiant cooking elements - Cook foods quickly and evenly on this sleek, glass surface

Digital touch controls - Accurately control your heating and enjoy an easy to clean surface

6"/9"/12" tri-ring element - Use different pan sizes on this single, 3,000-watt flexible element

5"/8" Power Boil element - Use different pan sizes on this single, 2,400-watt flexible element that produces rapid powerful heat

Kitchen timer - Helps coordinate meal preparation and cooking

Keep Warm setting - Keep food warm with GE's lowest heat setting or boil water in minutes with this fully functional 6" element

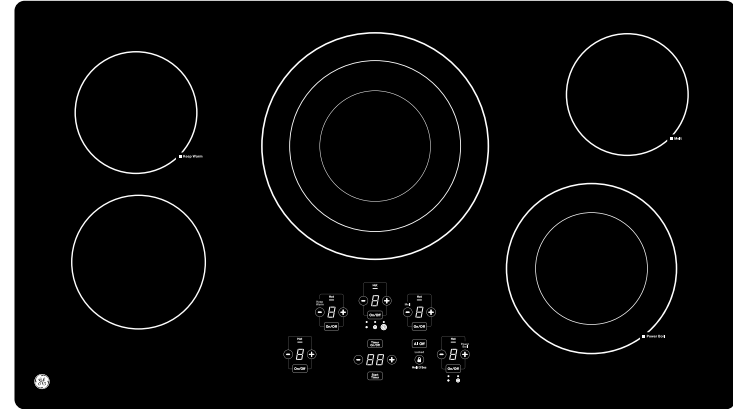
Melt setting - Gently melt delicate foods without burning or scorching

Control lock capability - Protects against unintended activation

Red LED display with black glass surface - Achieve a modern look that complements the entire kitchen

Hot surface indicator lights - Know when elements are too hot to touch with a quick glance

Model JP5036DJBB - Black on black



GE APPLIANCES