

PHP9036DJ

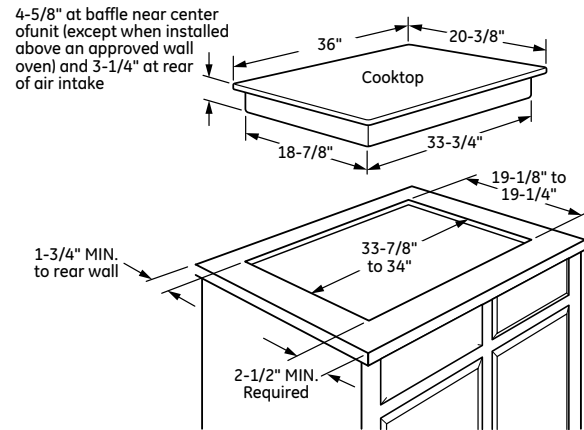
GE Profile™ Series 36" Built-In Touch Control Induction Cooktop

DIMENSIONS AND INSTALLATION INFORMATION (IN INCHES)

IMPORTANT: Requires a 5" free area between the bottom of the cooktop to any combustible material, i.e., shelving. Free area not required when installing wall oven underneath cooktop. Refer to installation instructions. Requires a 15" minimum from cooktop to adjacent overhead cabinets. Units are furnished with a 48" flexible armored cable.

NOTE: 36" induction cooktops are approved for use over select GE 30" Single Wall Ovens and Warming Drawers. Refer to cooktop and wall oven/warming drawer installation instructions packed with product for current dimensional data. If installed with a GE Telescopic Downdraft System, consult both the cooktop and downdraft installation instructions packed with product before installing. Cooktop gas/electric supply may need to be re-routed to install downdraft. The countertop cutout requires 23-1/2" minimum flat countertop surface and 25" minimum total countertop depth. In addition, other clearances to front edge of the countertop must be considered. **Before installing, consult installation instructions packed with product for current dimensional data.**

APPROXIMATE COOKING DIMENSIONS

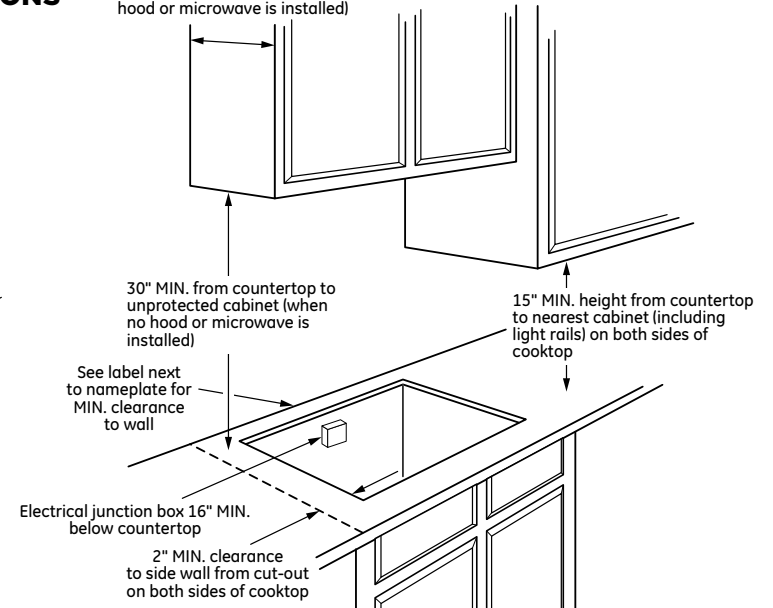


To insure accuracy, it is best to make a template when cutting the opening in the counter

KW Rating	
240V	11.1
208V	9.6
Amperage	
240V	46.3 Amps†
208V	46.3 Amps†

†NOTE: Check local codes for required breaker size

13" MAX. depth of unprotected overhead cabinets (when no hood or microwave is installed)



GE APPLIANCES

For answers to your Monogram,® GE Profile™ or GE® appliance questions, visit our website at geappliances.com or call GE Answer Center® service, 800.626.2000.



Listed by Underwriters Laboratories

PHP9036DJ

GE Profile™ Series 36" Built-In Touch Control Induction Cooktop

FEATURES AND BENEFITS

Five Induction elements - Enjoy a new level of rapid, precise heating with a cool-to-the-touch surface that's easy to clean

Digital touch controls - Accurately control your heating and enjoy an easy to clean surface

11" 3,700-watt induction element - Rapidly boil water with GE's most powerful induction element

SyncBurners - Control two 7" elements simultaneously to evenly heat large cookware or griddles*

Kitchen timer - Helps coordinate meal preparation and cooking

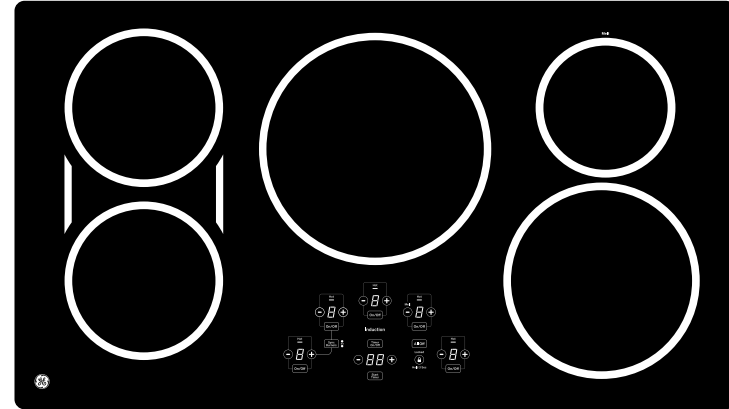
Control lock capability - Protects against unintended activation

Pan presence & size sensor - Cook efficiently with elements that heat to the size of your pan and shut off when no pan is present

Red LED display with black glass surface - Achieve a modern look that complements the entire kitchen

Hot surface indicator lights - Know when elements are too hot to touch with a quick glance

Model PHP9036DJBB - Black on black



*OPTIONAL STAINLESS STEEL CLAD ALUMINUM GRIDDLE

Achieve even results with this lightweight griddle, tailored to fit GE SyncBurners. Order part number JXGRIDL1 from your GE Dealer.



GE APPLIANCES