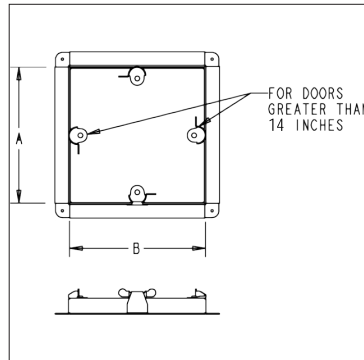


# Access Door with press on frame (Cam Lock Only)



## Product Data Sheet



### Description

Elgen's access door with cam lock only frame is used to access the inside of rectangular ductwork. Double paneled with front and back metal plates, and 1" insulation

### Standard Construction

#### Door Panel:

Consists of 24GA GA, manufactured from ASTM A-653 G60, panels mechanically locked together.

#### Insulation:

1" high-density fiberglass insulation UL Classifications; FHC25/50, ASTM C 1071; Type 1, ASTM G 21, Greenguard Indoor Air Quality Certified\*, Greenguard Children and Schools, NFPA 90A and 90B.

#### Gasket:

Closed-cell neoprene gasket is UL94HF1 listed with service temperature range of 20° F to 200° F The gasket is bonded to the inside of the frame.

#### Dovetail Frame:

Measuring 6" x 6" to 12" x 12" are manufactured from 24 gauge galvanized steel. Frames measuring 14" x 14" to 24" x 24" are manufactured from 22 gauge galvanized steel.

#### Cams & Strikes:

The cam is stamped using 16 Ga galvanized steel. The latch is stamped from 20 Ga galvanized steel. Each cam is secured to the door with a rivet. The latch is secured to the frame in two locations for added rigidity.

### Features

- Meets 2005 SMACNA Standards for pressure class & gauges(Refer to page 7-2, figure 7-2)
- Regular doors can be used up to 4"wg
- High Pressure doors can be used up to 10"wg
- Union Made

### Optional Construction

- Closed cell foam insulation(in place of fiberglass)
- Additional Cams
- Neoprene gasket bonded outside of the frame 1.5" thick and 2" thick
- Stainless Steel 304
- Stainless Steel 316
- Aluminum
- PCD
- Galvanneal (Paint Grip)

### Hi-Pressure (Up to 10" W.G. +/-):

- 20GA and Fully Welded
- 1/16" Diameter Galvanized Cable-wire
- Locking Haps for Padlocks

### Packaging

Size A x B	Flange Size	# of Cams	Box Qty	Weight (lbs)
6 x 6	1	2	48	1.5
8 x 8	1	2	20	2.2
10 x 10	1	2	20	3
12 x 12	1	2	16	3.9
14 x 14	1	2	5	6.5
16 x 16	1	4	5	8
16 x 12	1	4	5	6.5
18 x 18	1	4	4	9.6
18 x 12	1	4	4	7
20 x 20	1	4	4	11.5
24 x 24	1	4	4	15.1
24 x 12	1	4	4	9
24 x 18	1	4	4	12.3

### Guarantee

All Elgen products are guaranteed by Elgen Manufacturing against defective material.

### Elgen Manufacturing

10 Railroad Ave, Closter NJ 07624  
Tel: 800.503.9805 :: Fax: 201.964.9030  
info@elgenmfg.com :: www.elgenmfg.com