

Critical Communication and Easy Migration

Neptune® R900® System Endpoints



Neptune's R900® System endpoints greatly improve access to meter readings while delivering accurate, detailed, and timely consumption information to proactively identify and resolve high bill complaints, reduce delinquent payments, and eliminate write-offs to maximize revenue. The user-friendly, intuitive endpoint design simplifies the installation process and increases operational efficiency.

Neptune R900 wall and pit endpoints provide continuous transmission of meter data and the flexibility of mobile or fixed network reading methods. Migrate easily to AMI when you're ready without separate reading systems, site visits, or endpoint reconfiguration.

- Improve meter reading efficiency with robust walk-by, mobile, and fixed network connectivity
- Build on to existing technology investments with forward and backward compatible endpoints
- Improve quality of service and billing accuracy with detailed consumption data
- Fast installation and no programming required
- Works seamlessly with existing assets and future enhancements
- Pinpoint trouble areas quickly with flags that identify leaks, reverse flow, and tampering
- Peace of mind with access to 96 days of stored history

Technical Specifications

Electrical Specifications

- Endpoint power: Lithium battery with capacitor

Transmitter Specifications

- Two-way endpoint
- Transmit period (interleaved mobile and fixed network messages):
 - Standard mobile message every 14 seconds at 100 mW
 - Standard fixed network message every 7½ minutes at 1 Watt
- FCC verification: Part 15.247
 - Transmitter channels: 50; frequency-hopping, spread-spectrum
 - Frequency range: 910 to 920 MHz
- Encoder register reading interval:
 - Every 15 minutes
- Data logging interval:
 - 96 days of hourly data

Environmental Conditions

- Operating temperature:
 - 22°F to +149°F (-30°C to +65°C)
- Storage temperature:
 - 40°F to +158°F (-40°C to +70°C)
- Operating humidity:
 - 100% condensing

Antennas

- Wall endpoint: standard internal antenna
- Pit endpoint: standard through-the-lid antenna
 - 18" Coax
 - 6' Coax
 - 20' Coax

Encoded Register Compatibility

- Neptune ARB® V, ProRead™, ProCoder™, and E-CODER®
- Sensus ECR II, ICE, iPerl, Electronic Register and OMNI
- Hersey/Mueller Translator
- Badger ADE and HR E|LCD
- Elster/AMCO InVision (Sensus protocol version)

Options

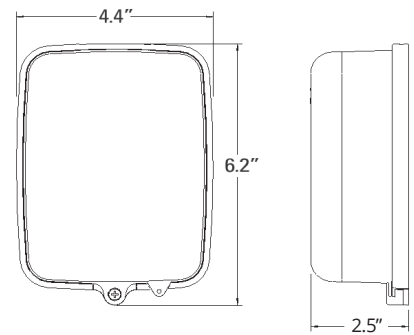
System Compatibility

- Handhelds with R900® belt clip transceiver - mobile RF
- R900 mobile data collector - mobile RF
- R900 gateways - fixed network RF

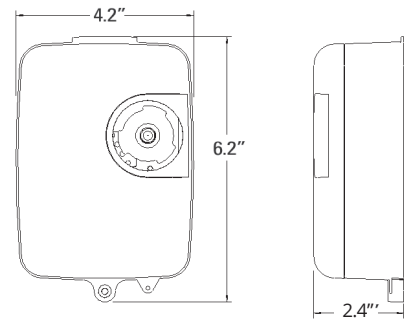
Warranty

- Neptune provides a limited warranty for performance, materials, and workmanship. See warranty statement for details.

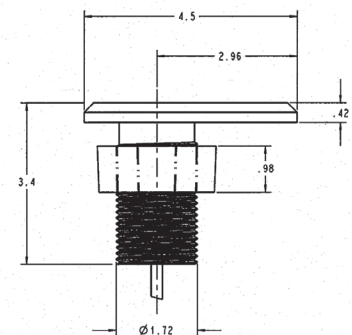
Dimensions



R900 Wall Endpoint



R900 Pit Endpoint



R900 Pit Antenna

