



PIPE & COUPLING

SUBMITTAL ♻ NO-HUB® CAST IRON SOIL PIPE & FITTINGS

Tyler Pipe/Soil Pipe Division • 11910 CR 492 • Tyler, TX 75706 • (800) 527-8478

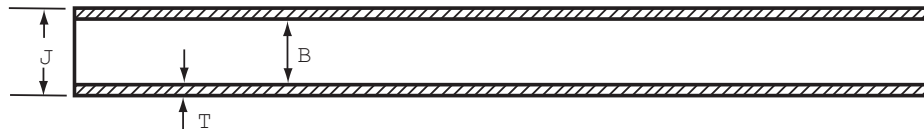
Specifications:

All 1½ inch diameter and larger cast iron soil pipe and fittings for above and below grade soil, waste, vent lines, rain water conductors and storm drainage lines shall bear the registered insignia ♻ or ♻ NO HUB® indicating that these items used in the sanitary system comply with the Cast Iron Soil Pipe Institute Standards 301 or ASTM A888.



Standards:

- CISPI 301: Hubless Cast Iron Soil Pipe & Fittings
- ASTM A 888: Hubless Cast Iron Soil Pipe & Fittings
- ASTM C 564: Rubber Gaskets for Cast Iron Soil Pipe & Fittings



NO-HUB PIPE, TEN-FOOT LAYING LENGTH

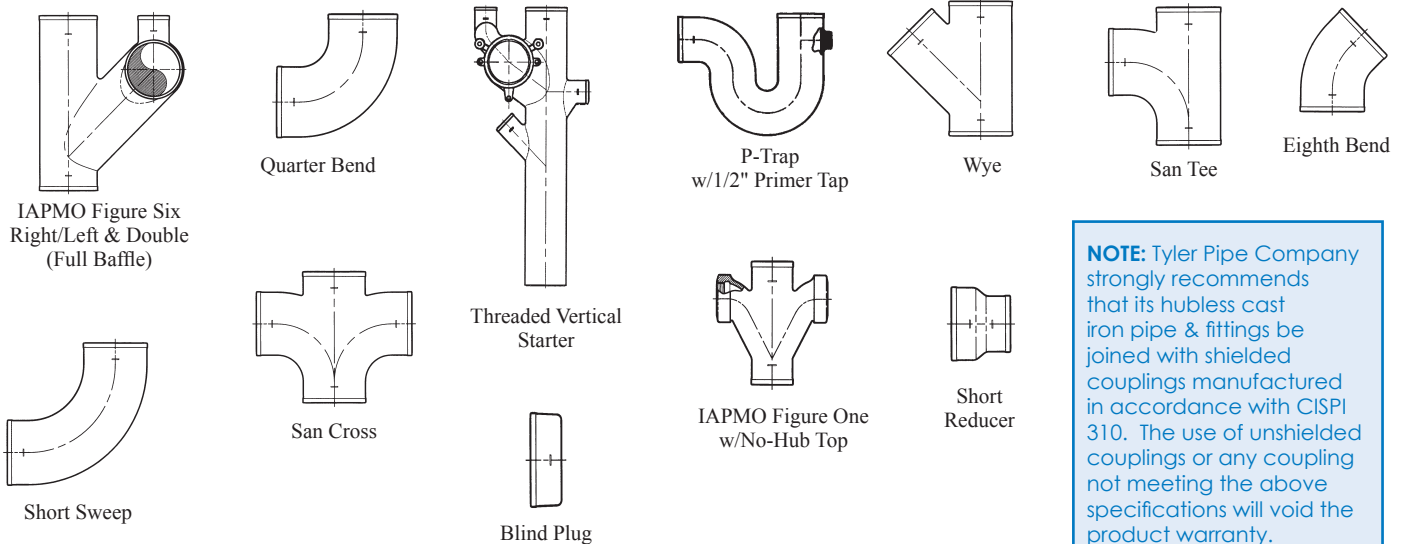
Size	Wt. per 10'*	Per Bundle	
		Pieces	Wt. lbs.
1½	30	54	1620
2	36	64	2304
3	52	48	2496
4	74	30	2220
5	94	24	2256
6	110	21	2310
8	180	15	2700
10	258	8	2064
12	325	6	1950
15	497	3	1416

*Note: Weights approximate, for shipping purposes only.

NO-HUB, TEN-FOOT LAYING LENGTH DIMENSIONS AND TOLERANCES

Size	Hubless Pipe Barrels		T Thickness	
	B Inside Diameter	J Outside Diameter	Nom.	Min.
1½	1.50±.09	1.90±.06	.16	.13
2	1.96±.06	2.35±.09	.16	.13
3	2.96±.06	3.35±.09	.16	.13
4	4.00±.06	4.38±.09-.05	.19	.15
5	4.94±.09	5.30±.09-.05	.19	.15
6	5.94±.09	6.30±.09-.05	.19	.15
8	7.94±.13	8.38±.13-.09	.23	.17
10*	10.00±.13	10.56±.09	.28	.22
12	11.94±.09	12.50±.09	.28	.22
15	15.11±.09	15.83±.09	.36	.30

* O.D. Barrel out of round tolerance of ±.04 is permitted.

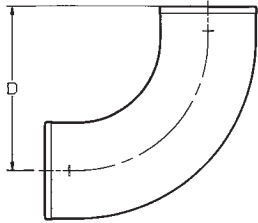


NOTE: Tyler Pipe Company strongly recommends that its hubless cast iron pipe & fittings be joined with shielded couplings manufactured in accordance with CISPI 310. The use of unshielded couplings or any coupling not meeting the above specifications will void the product warranty.



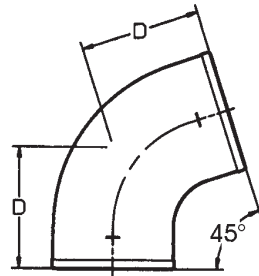
PIPE & COUPLING

**NO-HUB ASA GROUP 022
BENDS & TEES**



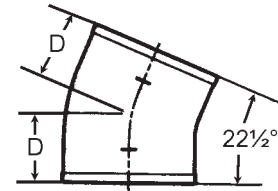
SHORT SWEEP

UPCode 670610	Size	D
007111	2	6½
007128	3	7
007135	4	7½
007142	5	8½
007159	6	9
007166	8	10½
007173	10	12
376651	12	13¼
376668	15	14¾



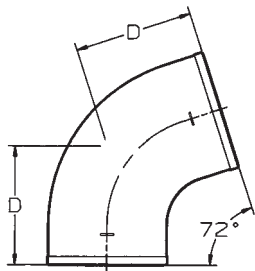
EIGHTH BEND

UPCode 670610	Size	D
007326	1½	2⅝
007333	2	2¾
007340	3	3
007357	4	3⅛
007364	5	3⅞
007371	6	4⅛
007388	8	5
007395	10	5 15/16
376491	12	6 9/16
376675	15	7 13/16



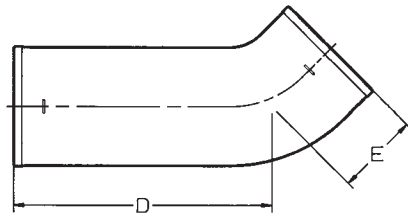
SIXTEENTH BEND

UPCode 670610	Size	D
007487	1½	2⅝
007494	2	2⅝
007500	3	2¼
007517	4	2⅝
007524	5	2⅞
007531	6	3
007548	8	3¾



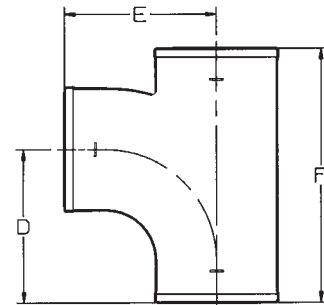
FIFTH BEND

UPCode 670610	Size	D
007265	2	3 11/16
007272	3	4 1/16
007289	4	4 7/16



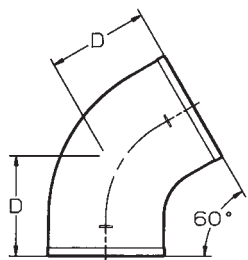
LONG EIGHTH BEND

UPCode 670610	Size - Length	D	E
382652	2-6	6	2¾
007401	2-12	12	2¾
007432	2-16	16	2¾
007456	2-18	18	2¾
007425	3-12	12	3
007449	4-12	12	3⅛



SAN TEE

UPCode 670610	Size	D	F	E
007555	1½	4¼	6½	4¼
007562	2x1½	4¼	6⅝	4½
007579	2	4½	6⅞	4½
007586	3x1½	4¼	6½	5
007593	3x2	4½	6⅞	5
007609	3	5	8	5
007616	4x2	4½	6⅞	5½
007623	4x3	5	8	5½
007630	4	5½	9⅞	5½
007647	5x2	5	8½	6
007654	5x3	5½	9⅝	6
007661	5x4	6	10 13/32	6
007678	5	6½	11 7/16	6½
007685	6x2	5	8⅜	6½
007715	6x3	5½	9⅜	6½
007692	6x4	6	10 1/16	6½
382669	6x5	6½	11½	7
007708	6	7	12½	7
007722	8x3	6	10⅞	7½
007739	8x4	6½	11½	7½
007746	8x5	7	12½	8
007753	8x6	7½	13½	8
007760	8	8½	15½	8½



SIXTH BEND

UPCode 670610	Size	D
007296	2	3¼
007302	3	3½
007319	4	3⅝