



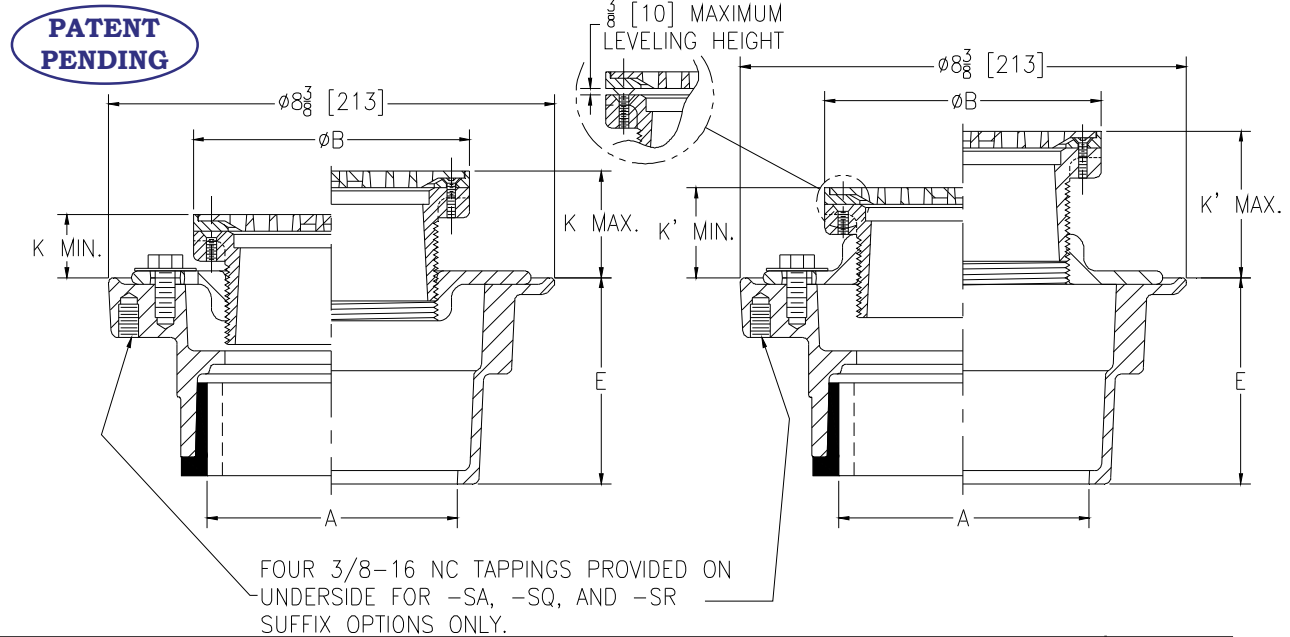
Z415BZ

BODY ASSEMBLY W/ "TYPE BZ" LEVELING STRAINER

SPECIFICATION SHEET

TAG _____

Dimensional Data (inches and [mm]) are Subject to Manufacturing Tolerances and Change Without Notice



| Dimensions In Inches | | | | | | Approx. Wt. Lbs. [kg] | Strainer Open Area Sq. In. [cm ²] |
|----------------------|--------------|-------------|-------------|-------------|--------------|-----------------------|---|
| A Pipe Size | B Dia. | K | | K' | | | |
| | | Min. | Max. | Min. | Max. | | |
| 2-3 [51-76] | 5-3/16 [132] | 1-1/16 [27] | 2-1/16 [52] | 1-9/16 [40] | 2-13/16 [71] | 11 [5] | 6-1/4 [40] |
| 2-3-4 [51-76-102] | 6-1/4 [159] | 1-3/8 [35] | 2-7/32 [56] | 1-3/4 [44] | 2-15/16 [75] | 13 [6] | 9 [58] |

ENGINEERING SPECIFICATION: ZURNZN415BZ

Floor and shower drain, Dura-Coated cast iron body with bottom outlet, combination invertible membrane clamp and adjustable collar with seepage slots and "TYPE BZ" polished nickel bronze, light-duty, leveling strainer.

OPTIONS (Check/specify appropriate options)

| PIPE SIZE | (Specify size/type) | OUTLET | 'E' BODY HT. DIM. |
|-------------------|---------------------|---------------|-------------------|
| 2-3-4 [51-76-102] | _____ IC | Inside Caulk | 3-7/8 [98] |
| 2-3-4 [51-76-102] | _____ IG | Inside Gasket | 3-7/8 [98] |
| 2 [51] | _____ IP | Threaded | 2-3/8 [60] |
| 3 [76] | _____ IP | Threaded | 2-5/8 [67] |
| 4 [102] | _____ IP | Threaded | 2-7/8 [73] |
| 2-3-4 [51-76-102] | _____ NH | No-Hub | 3-7/8 [98] |
| 2-3-4 [51-76-102] | _____ NL | Neo-Loc | 3-3/4 [95] |

PREFIXES

- ___ ZB D.C.C.I. Body Assembly w/ Polished Bronze Top
- ___ ZN D.C.C.I. Body Assembly w/ Polished Nickel Bronze Top*

SUFFIXES

- ___ -AA All Acid Resisting Epoxy
- ___ -AR Acid Resisting Epoxy Coated Cast Iron
- ___ -CP Chrome-Plated Bronze Top
- ___ -DP Decorative Polished Top
- ___ -G Galvanized Cast Iron
- ___ -OF Oval Funnel (Z329-7) (6 [152] Strainer Only)
- ___ -P Trap Primer Connection (Specify 1/2 [13] or 3/4 [19])
- ___ -PC Protective Cover
- ___ -SA Stabilizer Assembly (See Z1035)
- ___ -SQ Stabilizer Q-Deck (See Z1035-Q)
- ___ -SR Stabilizer Ring
- ___ -TC Neo-Loc Test Cap Gasket (2-4 [51-102] NL Outlet Only)
- ___ -U 1-3 [25-76] High Extension Adapter
- ___ -V Backwater Valve
- ___ -VP Vandal-Proof Secured Top
- ___ -Y Sediment Bucket
- ___ -4 4 [102] Diameter Funnel (Z328)
- ___ -90 90° Threaded Side Outlet Body Assembly (2 [51], 3 [76] Only)

** For Installation Instructions, See Form #FD86.

* Regularly furnished unless otherwise specified.