



Z1201 AND Z1202

EZCARRY™ INSTALLATION INSTRUCTIONS

For EZCarry™ Bank Assembly Installation Instructions refer to Zurn form #C46 which can be obtained through the Zurn website.

1. Lay carrier fitting on floor, waste line barrel down. See Fig. 1

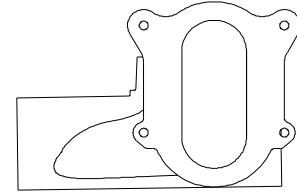


Fig. 1

2. Place faceplate gasket from trim kit on fitting. Align the gasket holes with the tapped holes in the fitting. See Fig. 2

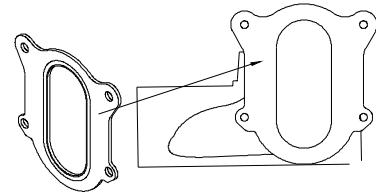


Fig. 2

3. Remove the faceplate/feet from trim kit box and align the faceplate slots with the gasket and fitting holes. Using four 1/2" bolts from the Fitting & Faceplate hardware bag, secure the bolts with a ratcheting wrench (25-35 lb-ft of torque). See Fig. 3

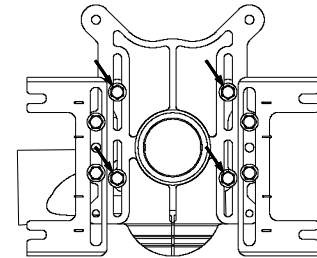
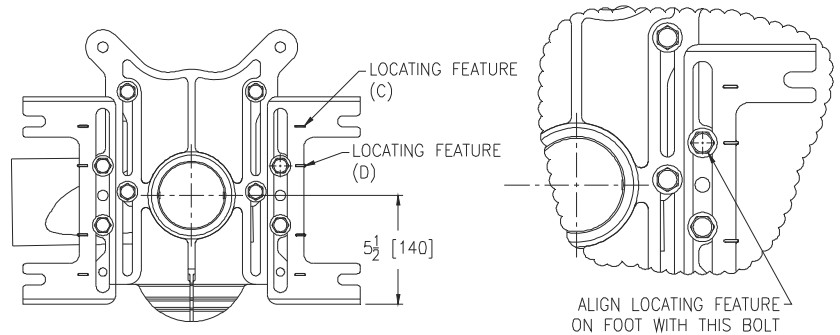


Fig. 3

4. Factory faceplate/feet assembly is set for a 5 1/2" rough-in height. Locating featuring C (See Fig. 4) on each foot identifies at 7 1/2" rough-in height, commonly used for ADA applications. To adjust the rough-in height, loosen the feet bolts and set the top two bolts to the desired height (adding additional height for tiling where required). For the highest position, swap bolts from A to B location. See Fig. 4a. Secure bolts using wrench (25-35 lb-ft of torque).



5 1/2" Rough-in Height Shown

Fig. 4

Note: For certain rough-in heights, the bottom of the faceplate may need to be removed along the defined cut lines. See Fig 4b

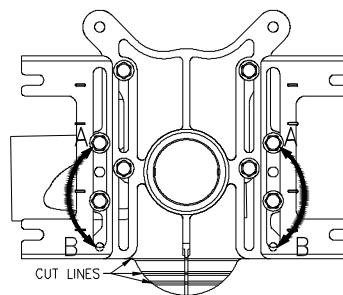


Fig. 4a

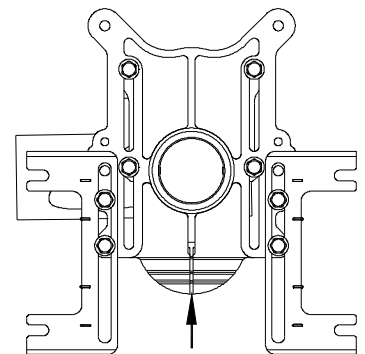


Fig. 4b

- Standing the assembly upright, loosen the faceplate bolts to adjust the waste line height and pitch as required. Re-secure bolts using ratcheting wrench (25-35 lb-ft of torque). See Fig. 5

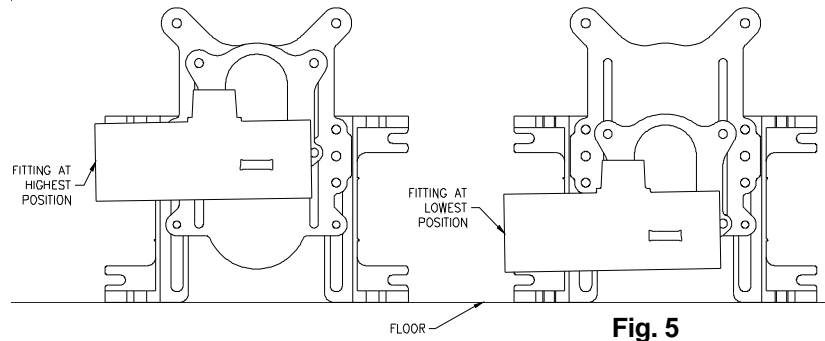


Fig. 5

- Secure the anchor stabilizer to the fitting using the anchor foot assembly instructions and hardware provided. Ensure the anchor foot sits level on the floor and nuts are tightened. See Fig. 6

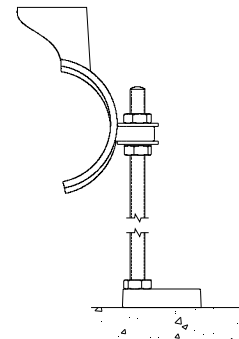


Fig. 6

- Align the carrier with the waste line. Mark locations on the floor for anchoring studs. See Fig. 7

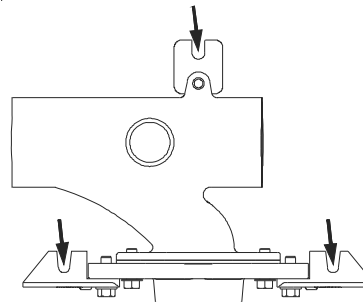


Fig. 7 TOP VIEW

- Prep the floor for concrete anchors and place the carrier back into position. Lag down the feet using 1/2" anchors (supplied by others). See Fig. 8

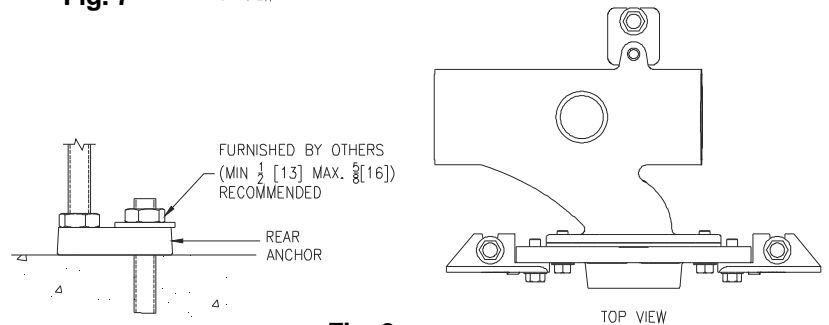


Fig. 8

- Using the o-ring seal and lubricant bag, ensure the o-ring and coupling are well lubricated. Insert the o-ring, ensuring it does not twist. See Fig. 9

NOTE: O-ring installation is critical. Improper installation will cause leakage behind the finished wall.

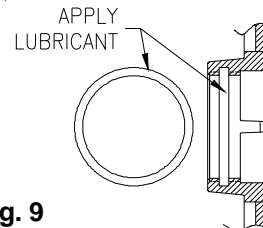


Fig. 9

10. Coupling Installation

- a. Standard, -CS, and -CC Couplings - Thread the coupling into the faceplate by hand until it engages the o-ring and begins to resist. Using a coupling wrench (Z1200-CPLG-WRNCH-3 purchased separately), continue to turn the coupling into the o-ring to create a water-tight seal. See Fig. 10

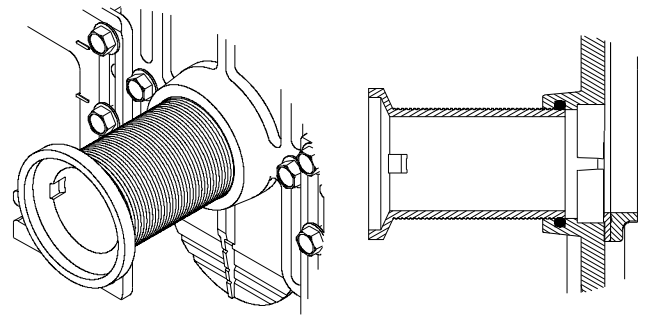


Fig. 10

Adjust the coupling to extend 5/16" from the finished wall. Ensure the coupling threads are protected from debris adhesion to allow adjustment after the wall is in place. If the coupling must be shortened, cut from the threaded end. Prevent damage to the o-ring by chamfering the cut end and thoroughly deburring. See Fig. 10a

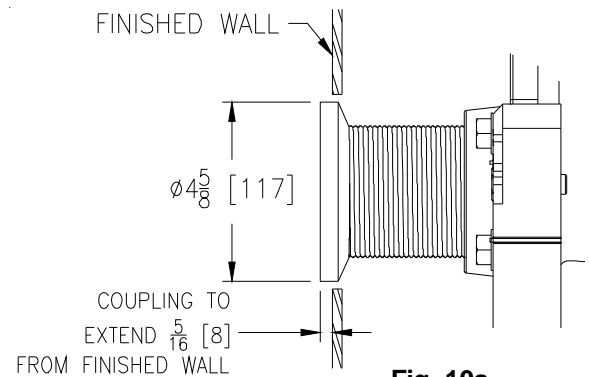


Fig. 10a

- b. EZ-Set™ Coupling - Thread the coupling into the faceplate by hand until it engages the o-ring and begins to resist. Using a strap or pipe wrench, continue to turn the coupling into the o-ring to create a water-tight seal. Ensure the protective sleeve is flush with the test cap. See Fig. 10 & 10b

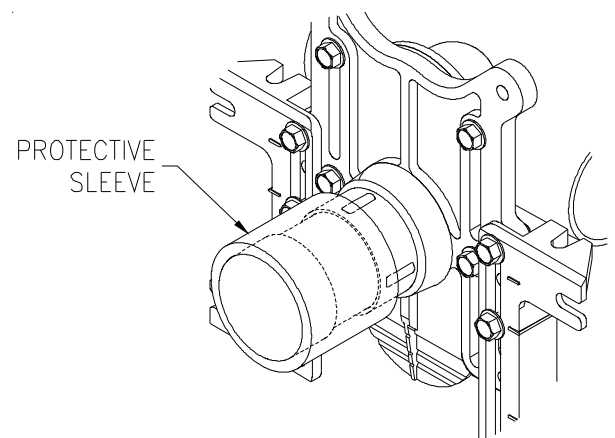


Fig. 10b

11. Prep for finished wall. Fasten the (4) threaded rods from the finish bag into the faceplate, through the foot slots until each rod extends 5/8" past the closet bowl flange. Add included 5/8" washer to each lower rod, and secure nut on each of the four rods. See Fig. 11

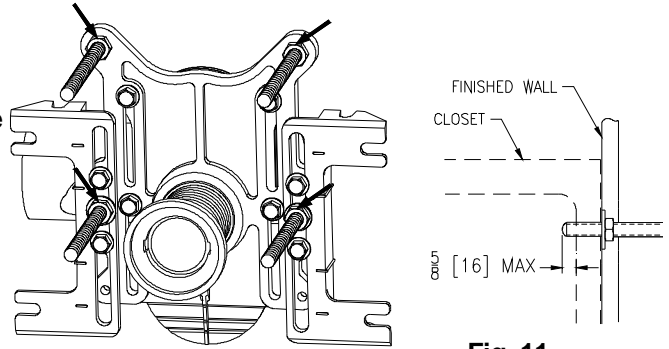


Fig. 11

NOTE: If the studs are too long they will bottom out in the finishing cap nut, preventing proper gasket compression which may result in leakage.

12. Slide plastic rod protectors onto rods. See Fig. 12

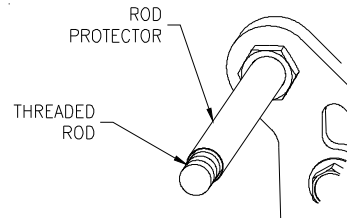


Fig. 12

13. Perform 10-ft head pressure test.

14. Finished wall should be installed. Ensure appropriate size opening is made for coupling. For EZ-Set™ Coupling hole sizing See Fig. 13

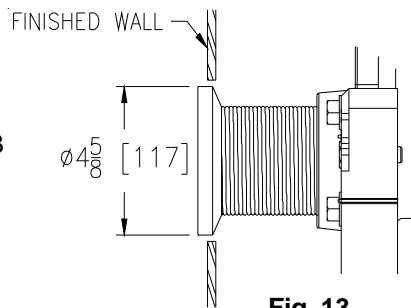


Fig. 13

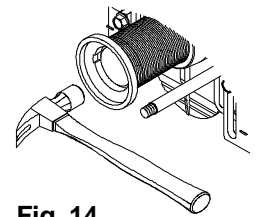


Fig. 14

15. Finish Coupling Preparation

- a. Standard, -CS, and -CC Couplings – Remove coupling protector. Ensure coupling extends 5/16" from finished wall. Knock out the test cap with a hammer and deburr sharp edges. See Fig. 14

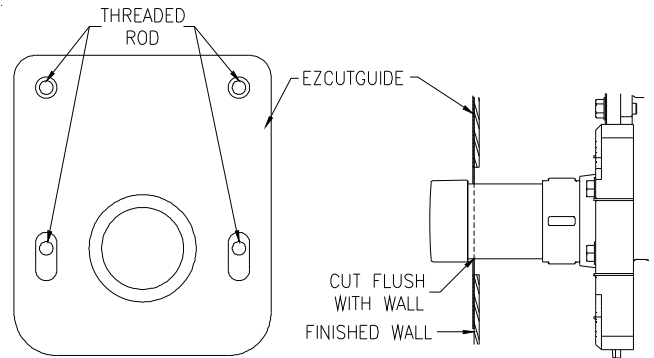
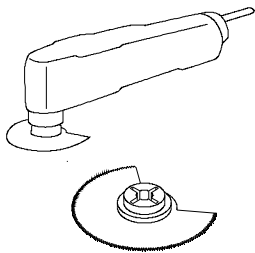


Fig. 15



Oscillating multi-tool
Fig. 16

- b. EZ-Set™ Coupling – Remove coupling protector. Hang the EZCUTGUIDE (purchased separately) See Fig. 15. Using an oscillating multi-tool with flush cut blade, remove the test cap and excess coupling length. Deburr sharp edges. See Fig. 16

Remove EZCUTGUIDE.

Prep the coupling end and flange, following PVC Cement manufacturer's instructions. Glue flange to pipe with "TOP" properly aligned. See Fig. 17.

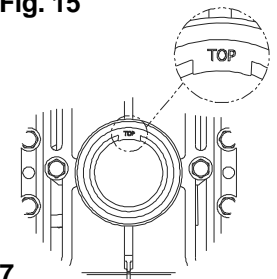


Fig. 17



Z1201 AND Z1202

EZCARRY™ INSTALLATION INSTRUCTIONS

16. Thread a backup nut and bearing washer onto each 5/8" rod. Adjust hardware so that the front surface of each flat washer is 1/16" in front of the finished wall See Fig. 18. All bearing washers must be in the same plane to support the fixture and prevent cracking.

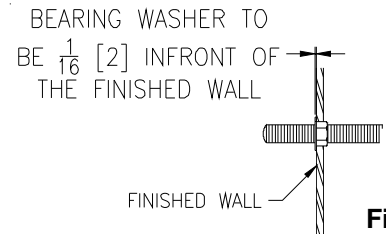


Fig. 18

17. Peel off the removable backing from one-side of the Neo-Seal Gasket and seat into the groove of the water closet outlet horn. See Fig. 19

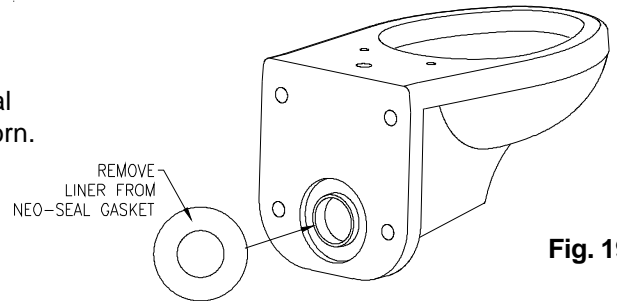


Fig. 19

18. Peel off removable backing liner from the opposite side of the gasket and hang the water closet onto the threaded rods. Ensure Neo-Seal gasket seals to the coupling. See Fig. 20

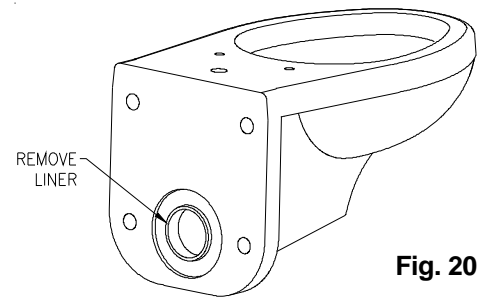


Fig. 20

19. Assemble a fiber washer and cap nut onto each rod and hand tighten. Secure closet with an additional half-turn using a wrench on each nut to complete the installation. See Fig. 21

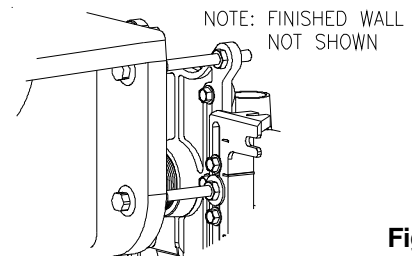
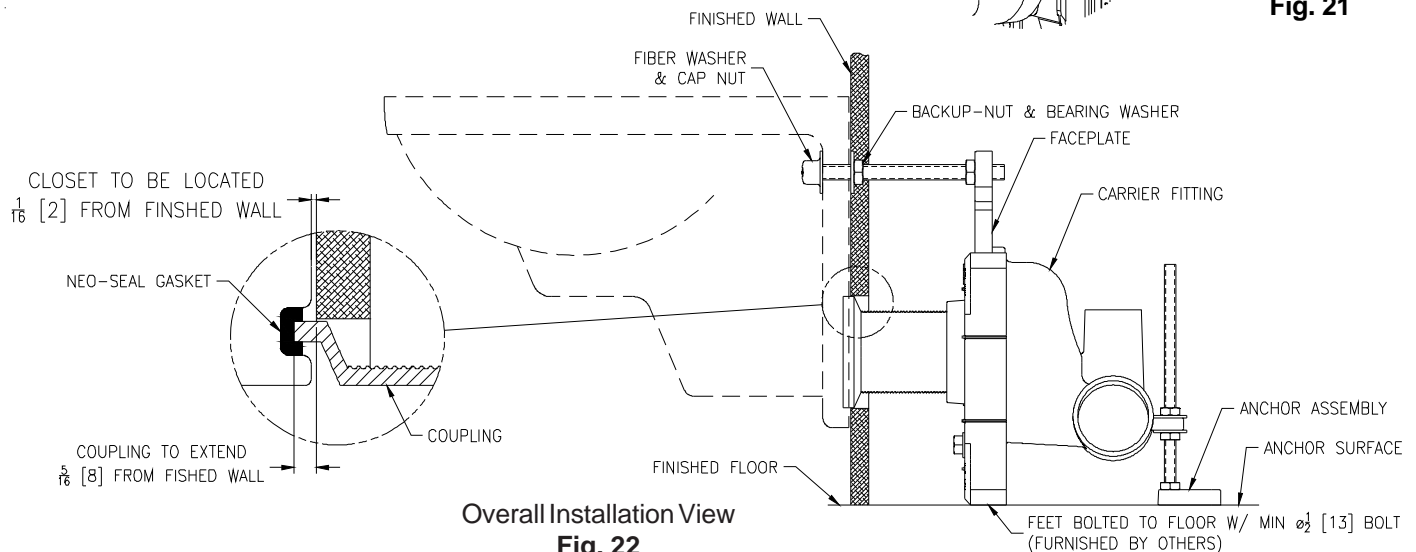


Fig. 21

Note: The closet should not make contact with the finished wall.



Overall Installation View
Fig. 22