



Lochinvar®

HIGH EFFICIENCY BOILERS & WATER HEATERS
Lochinvar Parts & Service Department
300 Maddox Simpson Pkwy, Lebanon, TN 37090.
Phone: 615-889-8900 • Fax: 615-882-2918
Email: parts_team@lochinvar.com

GAS

RESIDENTIAL WATER HEATER PARTS LIST

MODELS:

Series 400/401

GT(N,L) 03035, 04035, 04040, 05050

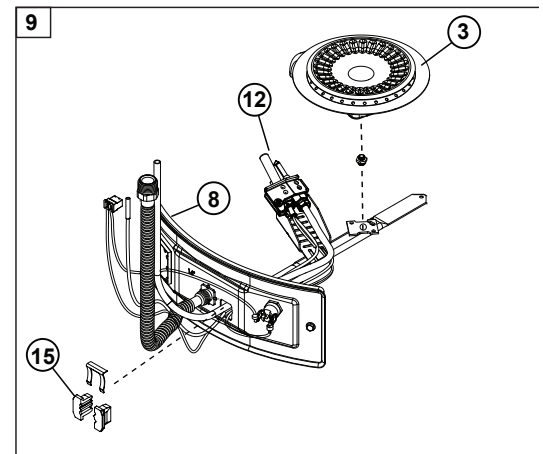
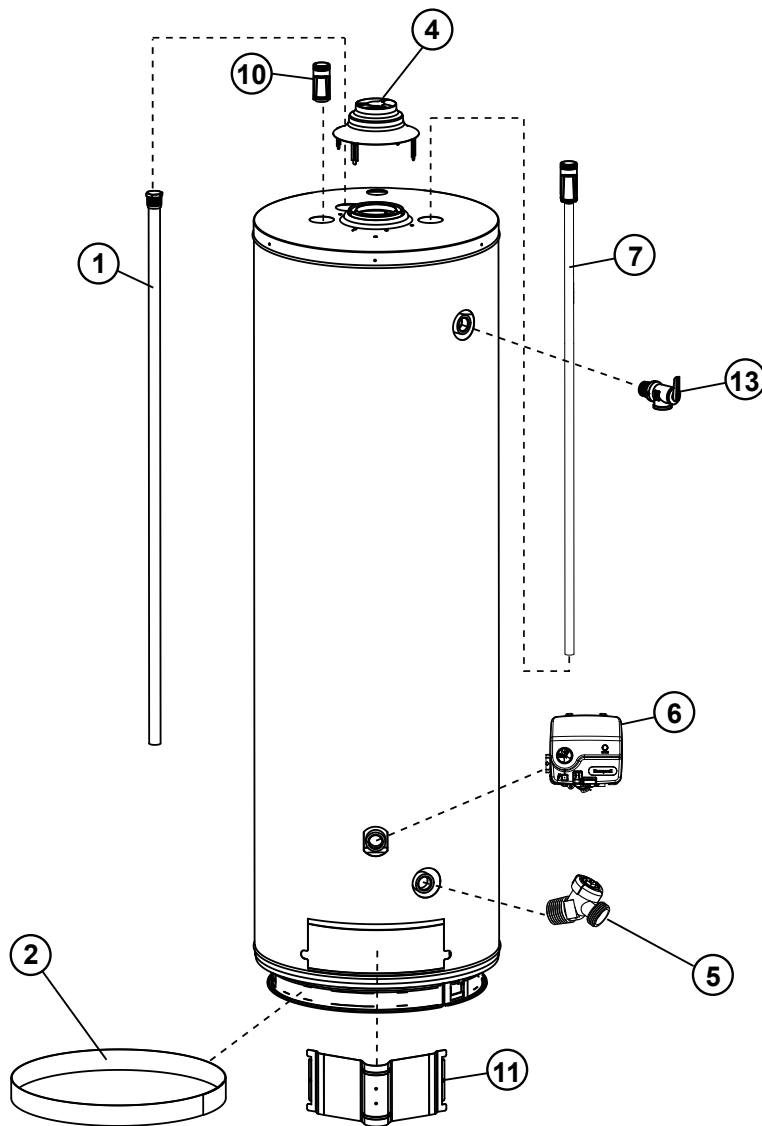
GT(N,L) 03035B, 04040B

GS(N,L) 03035, 04040, 05040

GS(N,L) 03035B, 04040B

Series 250/251

GT(N,L) 05060B, 05560



Lochinvar LLC
300 Maddox Simpson Pkwy, Lebanon, TN 37090.
1-615-889-8900
www.lochinvar.com

ITEM	DESCRIPTION	GS(N,L)03035	GT(N,L)03035	GT(N,L)04035	GS(N,L)04040	GT(N,L)04040	GS(N)05040	GT(N,L)05040
		Series 400/401	Series 400/401	Series 400/401	Series 400/401	Series 400/401	Series 400	Series 400/401
1	Anode Rod (Aluminum)	100109624	100109624	100108260	100108260	100108260	100108260	100109594
1	Anode Rod (Magnesium)	N/A	N/A	N/A	100108660	100109434	100108660	100108660
1	Anode Rod (D-Magnesium)	N/A	N/A	N/A	N/A	100300397 100109434	N/A	100300397 100109434
1	Anode Rod (KA-90)	N/A	100111073	N/A	100111073	100111073	100111073	100271569
2	Base-Ring Filter	100111332	100111332	100111332	100111375	100111332	100111375	100111375
3	Burner Head (Natural)	100111627	100110929	100111627	100110929	100110929	100110929	100110929
3	Burner Head (L.P.) *	100209998	100111366	100209998	100111366	100209998	100111320	100111320
4	Draft Hood	100111362	100111362	100111362	100111362	100111362	100111362	100111362
5	Drain Valve	100263840	100263840	100263840	100263840	100263840	100263840	100263839
6	Gas Control Valve/Thermostat (Nat.)	100262939	100262939	100262939	100262939	100262939	100262939	100262939
6	Gas Control Valve/Thermostat (L.P.)	100112339	100112339	100112339	100112339	100112339	100112339	100112339
7	Heat Trap/Dip Tube Combo	100217960	100217957	100217961	100217962	100217961	100223756	100217958
8	Inner Door Gasket	100112699	100112699	100112699	100112699	100112699	100112699	100112699
9	Manifold Door Assembly - Natural: Contains: Manifold Tube, Gasket, Door, Pilot Tube, Thermopile, Manifold Component Block, Thermal Switch, Burner Head, Burner Orifice and Pilot Assembly.	100187916	100187918	100187919	100187914	100187931	100187927	100223203
9	Manifold Door Assembly - L.P.: Contains: Manifold Tube, Gasket, Door, Pilot Tube, Thermopile, Manifold Component Block, Thermal Switch, Burner Head, Burner Orifice and Pilot Assembly.	100187925	100112275	100187920	100112274	100187920	100112737	100112352
10	Nipple w/Heat Trap	100109621	100109621	100109621	100109621	100109621	100109621	100109621
11	Outer Door	100111363	100111363	100111363	100111363	100111363	100111363	100111363
12	Pilot Assembly w/ Tubing and Fittings (Natural)	100112330	100112330	100112330	100112330	100112330	100210041	100112330
12	Pilot Assembly w/ Tubing and Fittings (L.P.)	100093983	100093983	100093983	100093983	100093983	100113127	100093983
13	T & P Relief Valve	100108455	100108455	100108455	100108455	100108455	100108455	100109259
14	Thermopile*	100112327	100112327	100112327	100112327	100112327	100112327	100112327
15	Manifold Component Block w/ Clip	100093865	100093865	100093865	100093865	100093865	100093865	100093865
16	Heat Trap Nipple/Anode Combo Aluminum*	100210064	100210064	N/A	100210064	100210064	100210064	100210064
16	Heat Trap Nipple/Anode Combo Magnesium*	100300397	N/A	N/A	100300397	100300397	100210067	100300397

White-Rodgers/Series 250

6	Gas Control Valve/White-Rodgers (Nat.)	100210087	100210087	100210087	100210087	100210087	100210087	100210087
12	Pilot Assembly w/ Tubing (Natural)	100111380	100111380	100111380	100111380	100111380	100111380	100111380
17	Thermocouple*	100108267	100108267	100108267	100108267	100108267	100108267	100108267
18	Spark Ignition Button*	100110936	100110936	100110936	100110936	100110936	100110936	100110936
19	Burner Assembly*	N/A	100210017	N/A	100210028	100210042	100187929	100210014

L.P. models are not available with White-Ridgers gas valves

*Not Illustrated

ITEM	DESCRIPTION	GT(N,L)	GS(N,L)	GT(N,L)	GS(N,L)	GT(N,L)	GT(N,L)	GT(N,L)
		05050	03035B	03035B	04040B	04040B	05060B	05560
		Series 400/401	Series 400/401	Series 400/401	Series 400/401	Series 400/401	Series 250/251	Series 250/251
1	Anode Rod (Aluminum)	100109594	100109624	100109624	100108260	100108260	100109594	100109594
1	Anode Rod (Magnesium)	N/A	N/A	N/A	N/A	100210067	N/A	100108660
1	Anode Rod (D-Magnesium)	100300397 100108660	N/A	N/A	N/A	N/A	100300397 100108660	100300397 100108660
1	Anode Rod (KA-90)	100271569	N/A	N/A	N/A	N/A	100271569	100271569
2	Base-Ring Filter	100111375	100111332	100111332	100111375	100111332	100223753	100210088
3	Burner Head (Natural)	100110929	100111627	100110929	100110929	100110929	100112094	100112094
3	Burner Head (L.P.)	100111320	100209998	100111366	100111366	100209998	100210055	100210055
4	Draft Hood	100108368	100111362	100111362	100111362	100111362	100109667	100109667
5	Drain Valve	100263840	100263839	100263839	100263839	100263839	100263840	100263840
6	Gas Control Valve/Thermostat (Natural)	100262939	100262938	100262938	100262938	100262938	100210089	100210089
6	Gas Control Valve/Thermostat (L.P.)	100112339	100112338	100112338	100112338	100112338	100210090	100210090
7	Heat Trap/Dip Tube Combo	100217964	100217960	100217957	100217961	100217961	100223754	100210091
8	Inner Door Gasket *	100112699	100112699	100112699	100112699	100112699	100112699	100112699
9	Final Burner Assembly - Natural: Contains: Manifold Tube, Gasket, Door, Pilot Tube, Thermopile, Manifold Component Block, Thermal Switch, Burner Head, Burner Orifice and Pilot Assembly.	100187924	100187916	100187918	100187914	100187931	100223755	100223750
9	Final Burner Assembly - L.P.: Contains: Manifold Tube, Gasket, Door, Pilot Tube, Thermopile, Manifold Component Block, Thermal Switch, Burner Head, Burner Orifice and Pilot Assembly.	100112541	100187925	100112275	100112274	100187920	100210054	100223749
10	Nipple w/Heat Trap	100109621	100109621	100109621	100109621	100109621	100109621	100109621
11	Outer Door	100111363	100111363	100111363	100111363	100111363	100111363	100111363
12	Pilot Assembly w/ Tubing and Fittings (Natural)	100112330	100112330	100112330	100112330	100112330	100110927	100223751
12	Pilot Assembly w/ Tubing and Fittings (L.P.)	100093983	100093983	100093983	100093983	100093983	100223752	100223752
13	T & P Relief Valve	100108455	100108279	100108279	100108279	100108279	100108455	100108455
14	Thermopile*	100112327	100112327	100112327	100112327	100112327	N/A	N/A
15	Manifold Component Block w/ Clip	100093865	100093865	100093865	100093865	100093865	100093865	100093865
16	Heat Trap Nipple/Anode Combo Aluminium*	100210064	100210064	100210064	100210064	100210064	100210065	100210065
16	Heat Trap Nipple/Anode Combo Magnesium	N/A	100300397	100300397	100210067	100210067	N/A	N/A
17	Thermocouple*	N/A	N/A	N/A	N/A	N/A	100108267	100108267
White-Rodgers/Series 250								
6	Gas Control Valve/White-Rodgers (Nat.)	100210087	100210087	100210087	100210087	100210087	100210089	100210089
12	Pilot Assembly w/ Tubing (Natural)	100111380	100111380	100111380	100111380	100111380	100110927	100223571
17	Thermocouple*	100108267	100108267	100108267	100108267	100108267	100108267	100108267
18	Spark Ignition Button*	100110936	100110936	100110936	100110936	100110936	100110936	100110936
19	Burner Assembly*	N/A	N/A	100210017	100210028	100210042	100223755	100223750
L.P. models are not available with White-Ridgers gas valves								
*Not Illustrated								



Lochinvar LLC
300 Maddox Simpson Pkwy, Lebanon, TN 37090.
1-615-889-8900
www.lochinvar.com