



SHOWER BASES

INSTALLATION AND OPERATION INSTRUCTIONS

Jacuzzi Luxury Bath

14525 Monte Vista Avenue
Chino, CA 91710
1-800-288-4002
www.jacuzzi.com



Contents

Contents	2
Product Information	2
Catalina™ Shower Base Specifications	3
Cayman™ Tru-Level™ Shower Base Specifications	4
Catalina™ Shower Base Installation Instructions	5
Cayman™ Tru-Level™ Shower Base Installation Instructions	6
Clean Up After Installation	8
Rough-In Dimensions (Neo-Angle Only)	8
Catalina™ Drain Cover Installation and Removal Instructions	9
Warranty	11

Product Information

NOTE

Save these instructions for future use. Use the form below to record your model and serial number for future reference.

Date Purchased _____

Purchased From _____

Installed By _____

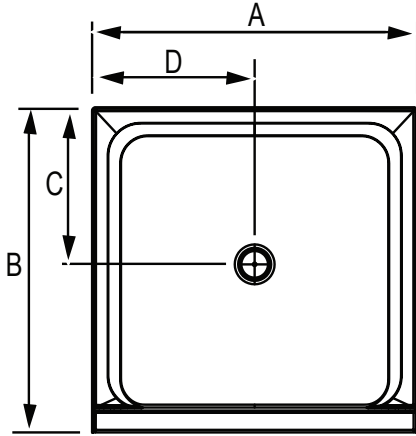
Serial Number _____

Model _____

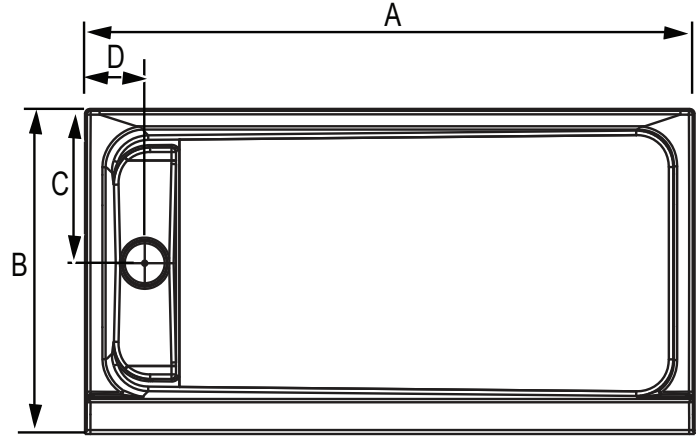
Installer: Leave the manual for the homeowner.

Homeowner: Read this manual and keep for future reference.

Catalina™ Shower Base Specifications



**Center Drain
(Threshold Side)**



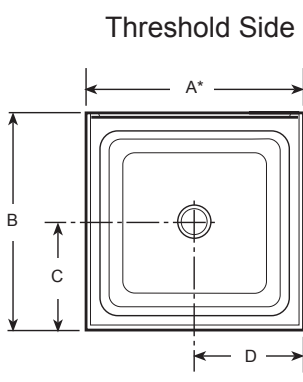
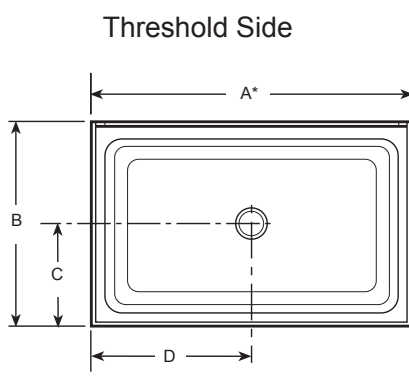
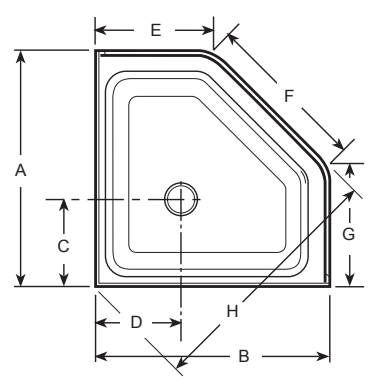
**Left And Right Hand Drain
(Threshold Side)**

*Add 1/8" (3mm) for rough-in dimensions.

Product Configuration	Shower Base Part Number	Marketing Product Code (MPC)	Dimensions				
			A	B	C	D	Weight
Center Drain	MB96000	CAT4836 SCX XXX X	48" (1219mm)	36" (914mm)	17-3/16" (437mm)	24" (610mm)	50 lbs. (23kg)
	MB71000	CAT4848 SCX XXX X	48" (1219mm)	48" (1219mm)	23-3/16" (589mm)	24" (610mm)	55 lbs. (25kg)
	MB92000	CAT6042 SCX XXX X	60" (1524mm)	42" (1067mm)	20-3/16" (513mm)	30" (762mm)	68 lbs. (31kg)
Left/Right Hand Drain	MB76000	CAT6030 SLX XXX X	60" (1524mm)	30" (762mm)	14-3/16" (360mm)	5-7/8" (149mm)	55 lbs. (25kg)
	MB80000	CAT6030 SRX XXX X					
	MB84000	CAT6032 SLX XXX X	60" (1524mm)	32" (813mm)	15-3/16" (386mm)	5-7/8" (149mm)	59 lbs. (27kg)
	MB88000	CAT6032 SRX XXX X					

Product specifications are subject to change without notice.

Note: This is a professional grade product. A knowledge of construction techniques, plumbing and electrical installation according to codes are required for proper installation and user satisfaction. We recommend that a licensed contractor perform the installation of all Jacuzzi Luxury Bath products. Our warranty does not cover improper installation related problems.

Cayman™ Tru-Level™ Shower Base Specifications

Square

Rectangular

Neo-Angle

*Add 1/8" (3mm) for rough-in dimensions

Product Configuration	Shower Base Part Number	MARKETING PRODUCT CODE (MPC)	DIMENSIONS								PRODUCT WEIGHT
			A	B	C	D	E	F	G	H	
Square/ Center Drain	S344000	CAY3636SCXXXX	36" (914mm)	36" (914mm)	17.50" (445mm)	18.00" (457mm)	-	-	-	-	24 lb (11kg)
	S348000	CAY4242SCXXXX	42" (1067mm)	42" (1067mm)	20.25" (514mm)	21.00" (533mm)	-	-	-	-	34 lb (15.4kg)
	S364000	CAY4848SCXXXX	48" (1219mm)	48" (1219mm)	23.25" (591mm)	24.00" (610mm)	-	-	-	-	43 lb (19.5kg)
Rectangular/ Center Drain	S356000	CAY4834SCXXXX	48" (1219mm)	34" (864mm)	16.50" (419mm)	24.00" (610mm)	-	-	-	-	30 lb (13.6kg)
	S368000	CAY6036SCXXXX	60" (1524mm)	36" (914mm)	17.50" (445mm)	30.00" (762mm)	-	-	-	-	43 lb (19.5kg)
	T228000	CAY6034SCXXXX	60" (1524mm)	34" (864mm)	16.50" (419mm)	30.00" (762mm)	-	-	-	-	39 lb (17.7kg)
	T232000	CAY4234SCXXXX	42" (1067mm)	34" (864mm)	16.50" (419mm)	21.00" (533mm)	-	-	-	-	27 lb (12.2kg)
	T354000	CAY3642SCXXXX	36" (914mm)	42" (1067mm)	20.25" (514mm)	18.00" (457mm)	-	-	-	-	28 lb (12.7kg)
	T362000	CAY4236SCXXXX	42" (1067mm)	36" (914mm)	17.50" (445mm)	21.00" (533mm)	-	-	-	-	28 lb (12.7kg)
	T366000	CAY4248SCXXXX	42" (1067mm)	48" (1219mm)	23.25" (591mm)	21.00" (533mm)	-	-	-	-	38 lb (17.2kg)
	T370000	CAY6042SCXXXX	60" (1524mm)	42" (1067mm)	20.25" (514mm)	30.00" (762mm)	-	-	-	-	50 lb (22.7kg)
	T374000	CAY4832SCXXXX	48" (1219mm)	32" (813mm)	15.00" (381mm)	24.00" (610mm)	-	-	-	-	29 lb (13.2kg)
Neo-Angle/ Center Drain	T358000	CAY3838SNXXXX	38" (965mm)	38" (965mm)	14.50" (368mm)	14.50" (368mm)	17.38" (441mm)	29.00" (737mm)	17.38" (441mm)	39.00" (991mm)	23 lb (10.4kg)
	S352000	CAY4242SNXXXX	42" (1067mm)	42" (1067mm)	16.06" (408mm)	16.06" (408mm)	21.50" (546mm)	29.00" (737mm)	21.50" (546mm)	45.00" (1143mm)	29 lb (13.2kg)
	S360000	CAY4848SNXXXX	48" (1219mm)	48" (1219mm)	16.25" (413mm)	16.25" (413mm)	27.50" (699mm)	29.00" (737mm)	27.50" (699mm)	53.00" (1346mm)	39 lb (17.7kg)

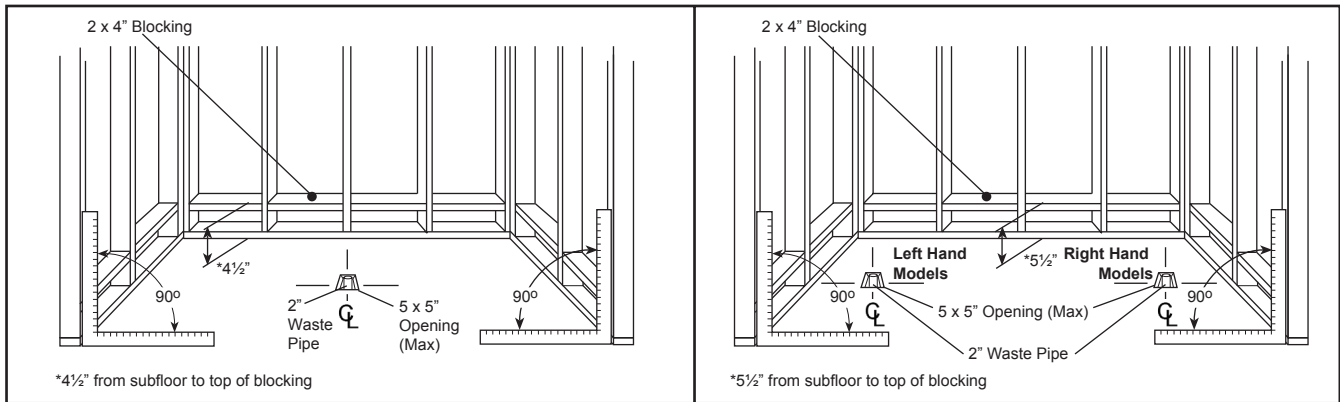
Product specifications are subject to change without notice.
NOTE: This is a professional grade product. A knowledge of construction techniques, plumbing and electrical installation according to codes are required for proper installation and user satisfaction. We recommend that a licensed contractor perform the installation of all Jacuzzi Luxury Bath products. Our warranty does not cover improper installation related problems.

Catalina™ Shower Base Installation Instructions

- 1** Remove the shower base from the carton. Do not destroy the shipping carton until after satisfactory inspection of the product. Should initial inspection reveal any damage or defect in the shower finish, do not install the shower base. Jacuzzi® Luxury Bath's responsibility for shipping damage ceases upon delivery of the product in good order to the carrier. Refer any claims of damage to the carrier. Any damage or defect claimed after installation is excluded from the warranty. Jacuzzi is not responsible for any defect or damage that could have been discovered, repaired, or avoided by following this inspection and testing procedure.
- 2** Plan the installation in relation to the finished wall surfaces. Take into account the dimensions of both the shower base and the door enclosure. Install the optional trim parts after all other installation is completed.
- 3** Provide a minimum 5 x 5" opening in the subfloor. The opening should be located on the center lines (CL) of the base drain hole, see Product Chart. The opening is to accommodate a 2" waste pipe. The waste pipe should be 1/4 to 1/2" above the surface of the subfloor, see Figure 1. If the subfloor is level, no other preparation is necessary. Proceed to install the base. If the subfloor is not level, level the shower base by spreading a floor-leveling compound, mortar, plaster, or minimal expansion structural foam with a density of 5 pounds per cubic foot (lb/ft³) minimum.

NOTE: The compound must make contact with the entire bottom surface of the base feet. The base is not to be supported by the base flange. Both sides of a joint or splice of sub-floor should be level to each other.

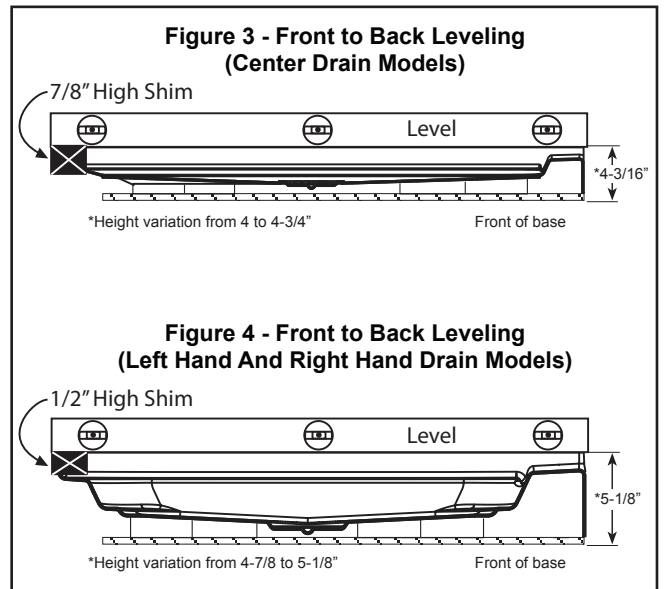
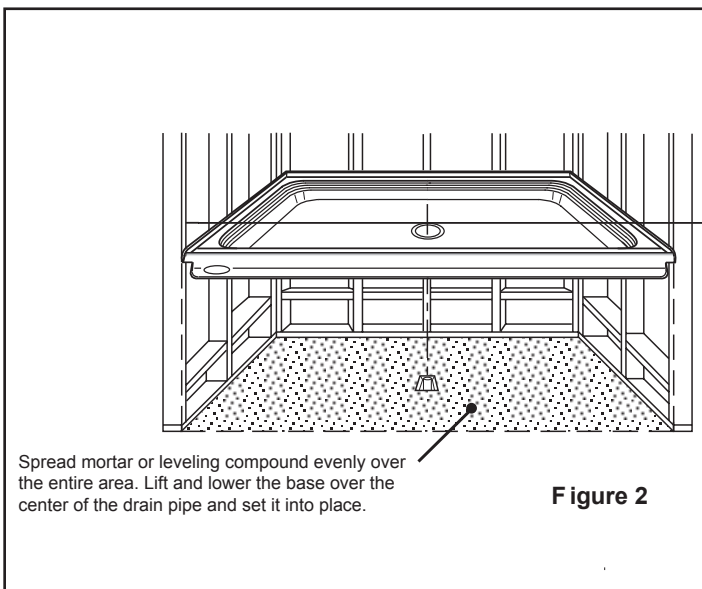
Figure 1. Preliminary Rough-in (See Product Chart for drain location)



Center Drain

Left Hand / Right Hand Drain

- 4** Position and install the base over the drain, see Figure 2. With the drain fitting passing over the center of the drain pipe, lower the shower base carefully into place. Push down firmly until the base is in place. Check the level of the base in two directions. A high shim is necessary at the back of the base for front-to-back leveling (see Figures 3 & 4). Advance to page 7 to continue this installation procedure.

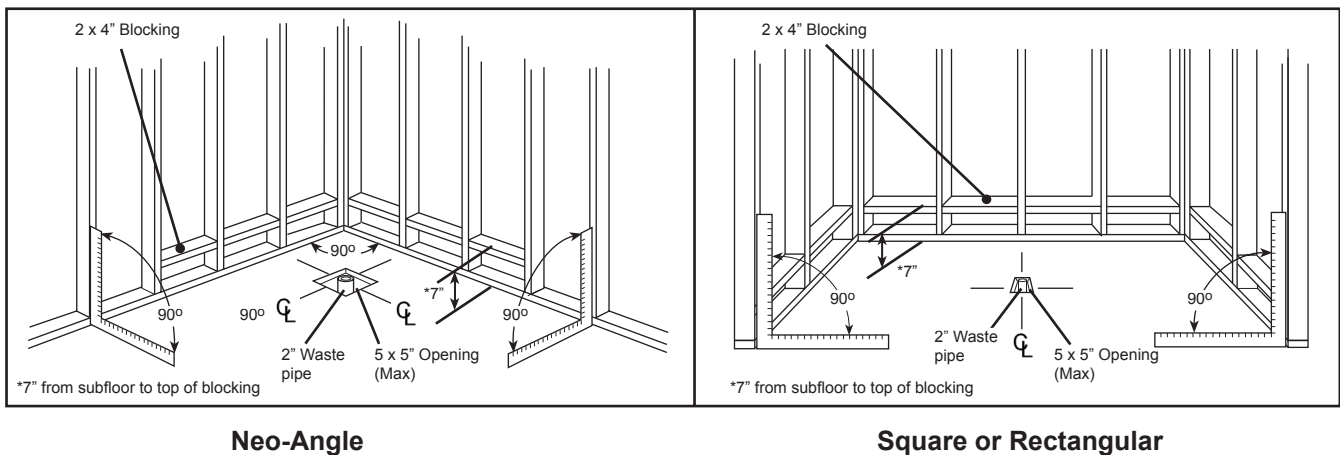


Cayman™ Tru-Level™ Shower Base Installation Instructions

- 1 The shower base does not include a shower drain, required to complete installation. Remove the shower base from the carton. Do not destroy the shipping carton until after satisfactory inspection of the product. Should initial inspection reveal any damage or defect in the shower finish, do not install the shower base. Jacuzzi Luxury Bath's responsibility for shipping damage ceases upon delivery of the product in good order to the carrier. Refer any claims of damage to the carrier. Any damage or defect claimed after installation is excluded from the warranty. Jacuzzi is not responsible for any defect or damage that could have been discovered, repaired, or avoided by following this inspection and testing procedure.
- 2 Plan the installation in relation to the finished wall surfaces. Take into account the dimensions of both the shower base and the door enclosure. Install the optional trim parts after all other installation is completed.
- 3 Provide a minimum 5 x 5" opening in the subfloor. The opening should be located on the center lines (CL) of the base drain hole, see Product Chart. The opening is to accommodate a 2" waste pipe. The waste pipe should be 1/4 to 1/2" above the surface of the subfloor, see Figure 5. If the subfloor is level, no other preparation is necessary. Proceed to install the base. If the subfloor is not level, level the shower base by spreading a floor-leveling compound, mortar, plaster, or minimal expansion structural foam with a density of 5 pounds per cubic foot (lb/ft³) minimum.

NOTE: The compound must make contact with the entire bottom surface of the base feet. The base is not to be supported by the base flange. Both sides of a joint or splice of sub-floor should be level to each other.

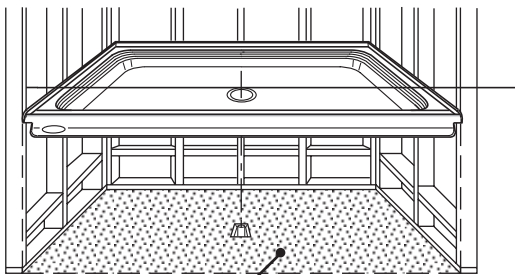
Figure 5. Preliminary Rough-in (See Product Chart for drain location)



Neo-Angle

Square or Rectangular

- 4 Position and install the base over the drain, see Figure 6. With the drain fitting passing over the center of the drain pipe, lower the shower base carefully into place. Push down firmly until the base is in place. Check the level of the base in two directions. A 1/4" high shim is necessary at the back of the base for front-to-back leveling, see Figure 7.



Spread mortar or leveling compound evenly over the entire area. Lift and lower the base over the center of the drain pipe and set it into place.

Figure 6

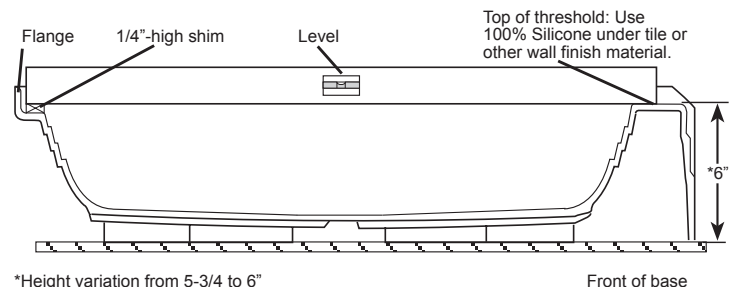


Figure 7. Front-to-back leveling

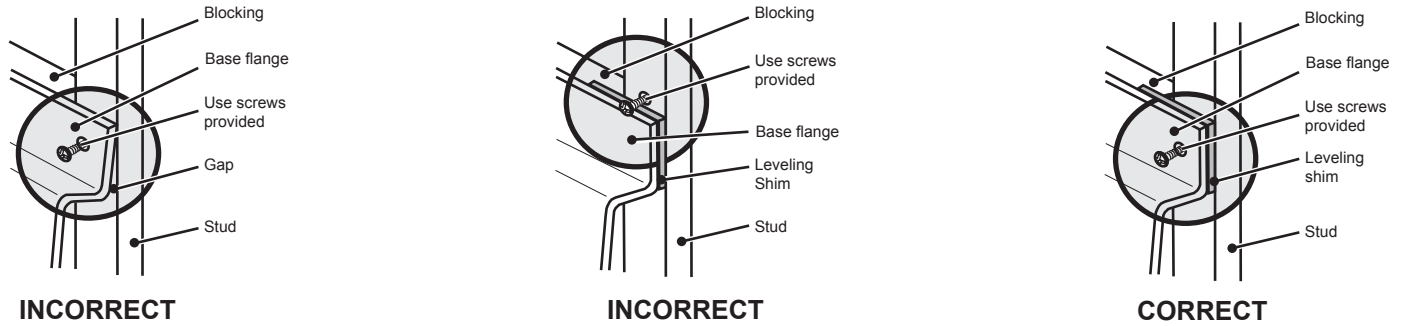
Installation Instructions Continued (All Models)

CAUTION Do not lift a corner to level the base. This will result in loss of contact with the mortar.

- 5** Attach the shower base flange to the stud wall and blocking with the stainless-steel screws provided. Use a minimum of three screws per flange section, see Figure 8. If there is a gap between the base flange and the stud or blocking, a shim must be used to prevent distortion or cracking of the flange.

CAUTION Use the stainless-steel screws provided.

Figure 8

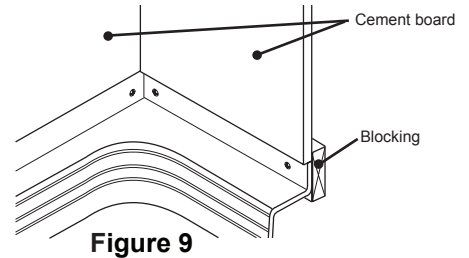


IMPORTANT If there is any gap between the base flange and stud or blocking, shims must be used.

- 6** Tighten the drain as directed by the instructions that came with the drain kit. After the drain is fully installed, test for proper drainage.

CAUTION If the shower base does not drain properly, correct this condition before proceeding with the installation. Watertight installation is the installer's responsibility, as drain leakage is excluded from the Warranty. Jacuzzi is not responsible for reinstatement costs.

- 7** Replace the strainer, if your drain kit came with one, and tape over the drain hole to prevent finishing material from entering the drain. Place a cement board or equivalent on top of the shower base flange and secure to studwall, see Figure 9.



- 8** Apply tile, or other finishing material, leaving a 1/8" gap between the finishing material and the flange lip of the shower base. Seal this gap with a silicone sealant. Leave a minimum 1/4" weep hole at the back and front corners of the shower base, see Figures 10 and 11. Add 100% silicone under the tile and backer board on top of the dam only (see Figures 7 and 10). Refer to local building codes for proper finishing or other trades.

Figure 10

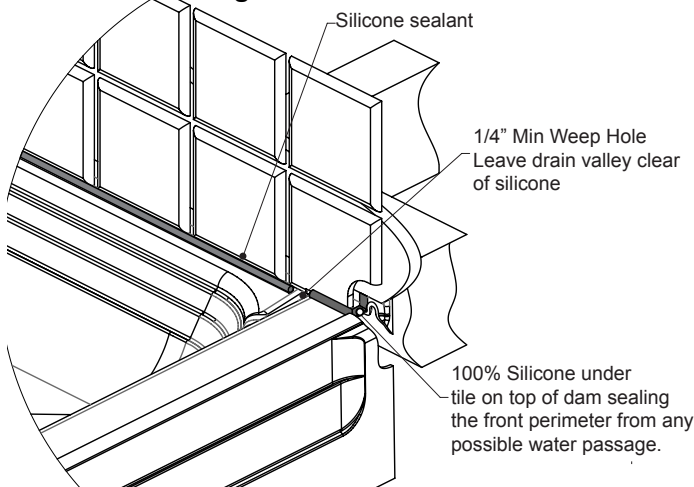
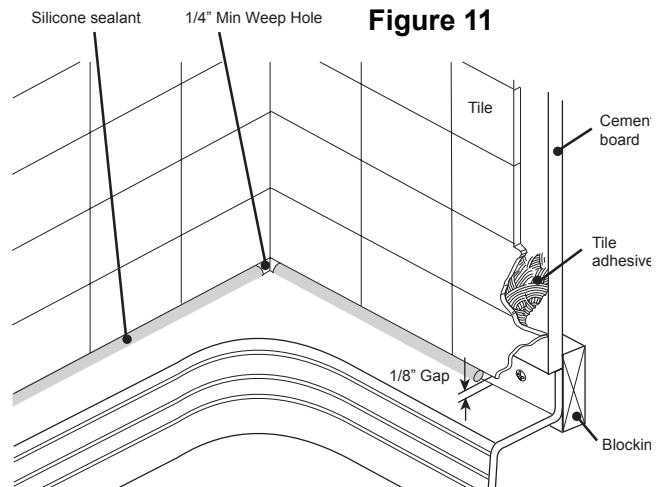


Figure 11

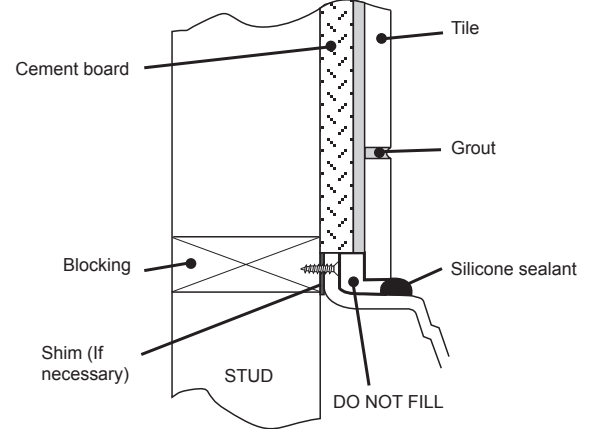


Installation Procedures Continued (All Models)

CAUTION The weep holes are necessary to allow drainage from leakage through an unsealed tiled grout.

- 9 Filling the area marked, Do Not Fill, will prevent moisture from draining back to the base through the weep holes, see Figure 12. Such moisture is due to leakage through the tile grout. Sealing the tile grout will prevent this leakage.

Figure 12



Clean Up After Installation

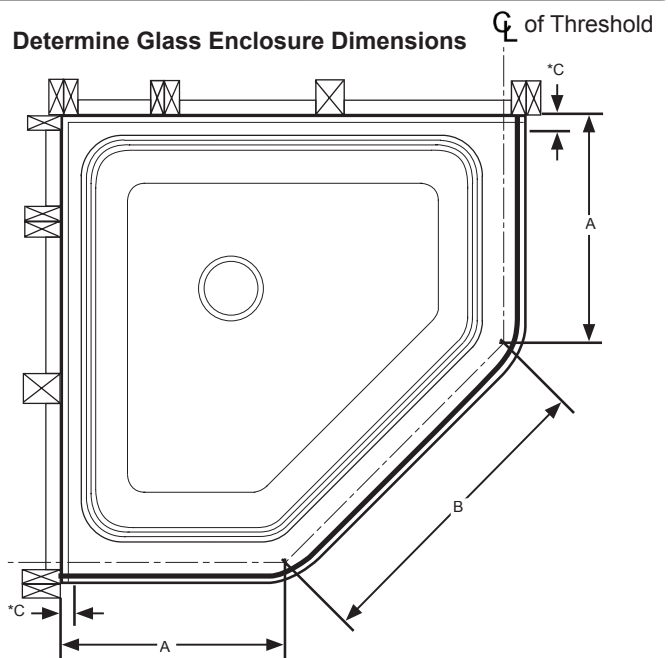
- The acrylic finish will give long-lasting beauty when properly maintained. To avoid dulling and scratching of the finish, never use abrasive cleaners or harsh chemicals. A mild liquid detergent and warm water will clean soiled surfaces.
- Remove spilled plaster with a wood or plastic edge. Metal tools will scratch the surface. Spots left by plaster or grout can be removed if lightly rubbed with a mild detergent and a damp cloth or sponge.
- Minor scratches that do not penetrate the color finish can be removed by lightly sanding the surface with a 600-grit, wet-dry sandpaper. To restore the glossy finish, use a special compound like Meguiar's No. 10 Mirror Glaze. If it is not available, use an automotive rubbing compound followed by an application of automotive paste wax.
- Major scratches and gouges that penetrate the acrylic surface may require refinishing. Ask your Jacuzzi Luxury Bath dealer for special instructions.

Rough-In Dimension Chart (Neo-Angle Only)

*C represents the dimension from the stud wall to the face of the finishing materials used in the shower construction. If Jacuzzi Luxury Bath surround walls are used, subtract 1-3/8" from dimension **A** to arrive at glass enclosure dimensions. If other materials are used, subtract their thickness from dimension **A**.

FOR SQUARE & RECTANGULAR SHOWER BASES: If Jacuzzi Luxury Bath surround walls are used, subtract 1-3/8" from stud wall of each end to arrive at glass enclosure dimensions (see front page illustration and chart). If other materials are used, subtract their thickness from stud wall of each end.

Model	A	B	C
3838N	16-3/4"	28"	1-3/8"
4242N	20-3/4"	27-3/8"	1-3/8"
4848N	26-3/4"	27-1/2"	1-3/8"



Specifications Subject To Change Without Notice

Jacuzzi Luxury Bath has obtained applicable code (standards) listings generally available on a national basis for products of this type. It is the responsibility of the installer/owner to determine specific local code compliance prior to installation of the product. Jacuzzi Luxury Bath makes no representation or warranty regarding, and will not be responsible for any code compliance.

Catalina™ Drain Cover Installation and Removal Instructions

The Catalina™ Drain Cover is designed to fit snugly over the top of the recessed drain as illustrated (Figure 13).

To Install Drain Cover

Position the Drain Cover over the top of the recessed shower base drain area. Make sure the four Drain Cover Clip Legs line up with the four strainer slots as illustrated (Figure 14A) before pressing downward to snap it into place.

NOTE: It is necessary to line up strainer slots with the Drain Cover Clip Legs prior to pressing downward as illustrated (Figure 14B). The legs are designed to fit into the Jacuzzi strainer MB28827 (included in shower pan purchase).

To Remove Drain Cover

Carefully pry the Drain Cover upward using a non-abrasive tool such as a plastic spatula as illustrated (Figure 15). **DO NOT USE** an abrasive tool or a tool with sharp edges of any of any kind!

NOTE: The Drain Cover is made of fragile material and will break if accidentally dropped.

RISK OF ACCIDENTAL INJURY! Do not permit children to use this unit unless they are closely supervised at all times. This equipment is intended for indoor use only.

Drain Cover Care And Cleaning Instructions

Jacuzzi Luxury Bath Drain Covers are manufactured with non-porous and durable materials that, when properly cared for and cleaned, resist soil buildup and stains to a great degree. To ensure proper care, follow these simple steps:

1. First clean the Drain Cover with a mild dish soap and warm water, wipe it clean, then wipe it again with a soft (slightly dampened) cloth to remove any remaining soap residue.
2. For more difficult stains such as grease, oil, paint or ink, apply rubbing alcohol to the affected area, then wipe it clean with a soft, dry cloth.
3. Avoid abrasive cleansers and solvents, harsh chemicals or those containing lime removal elements. They may damage the finish and void the warranty.
4. **DO NOT** use abrasive scrubbing cloths or pads of any kind.
5. **DO NOT** use razor blades or other sharp objects that might scratch the surface.
6. **DO NOT** use aftermarket bath products containing dye.
7. If unsure of the suitability of a product's appropriateness for use with these baths, first test a very small amount of the product on an inconspicuous area before using it on a visible surface.

For Solid Surface Matte Finish Models (Observe these additional guidelines). For very difficult stains, Jacuzzi Luxury Bath recommends the following cleansers and materials:

- Mr. Clean Magic Eraser
- Soft Scrub, Bon Ami or Gray Scotch Brite Pads (Only).
- **CAUTION: DO NOT** use Green Scotch Brite Pads for any reason since they will damage the tub surfaces.

Figure 13

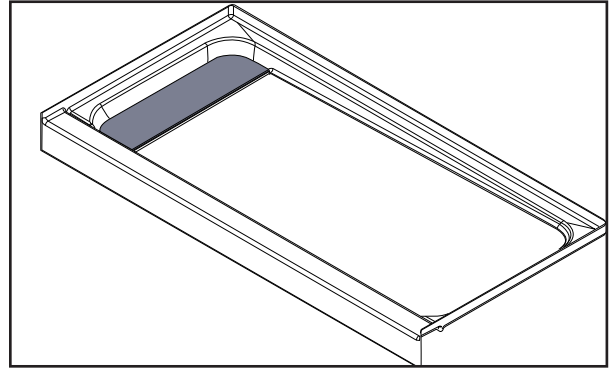


Figure 14A

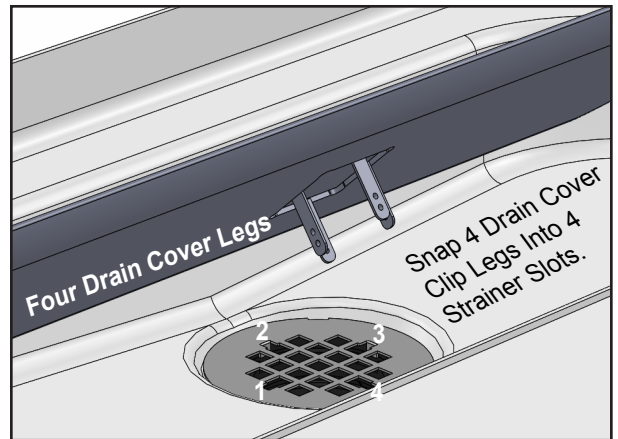


Figure 14B

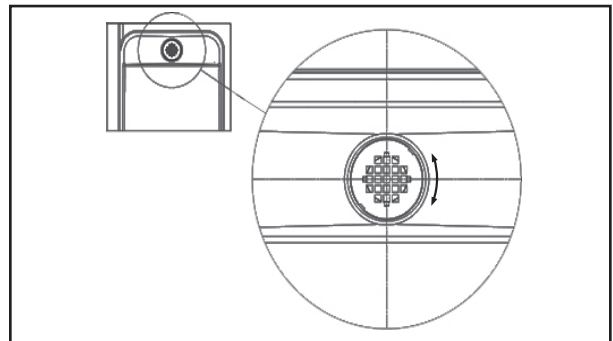
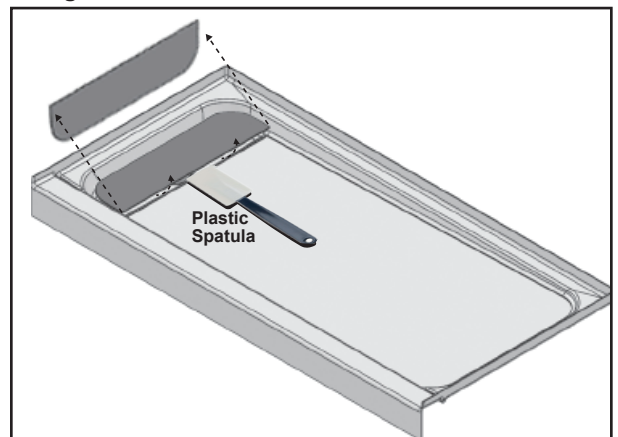


Figure 15





Notes:

Jacuzzi Luxury Bath Limited Warranty Shower System Product

WARRANTY COVERAGE

Jacuzzi Luxury Bath (the "Company") offers the following express limited warranty to the original purchaser of any Jacuzzi Luxury Bath Shower System product ("unit") who purchases the product for personal or single family use ("user"). The Company will repair or replace, at its option, the unit or its equipment in accordance with the following terms and conditions. Units in commercial use are excluded from any warranty coverage whatsoever.

ONE YEAR LIMITED WARRANTY ON SHOWER SYSTEM

Our limited warranty on Shower System products is for one (1) year. Our warranty covers the unit and factory-installed components (e.g., pump, motor) against defects in material or workmanship. Warranty coverage begins on the date the unit was originally purchased by the user.

NINETY DAY (PARTS ONLY) LIMITED WARRANTY ON OPTIONS AND ACCESSORIES

Our limited warranty on options and accessories manufactured by the Company is for ninety (90) days for parts only. Our warranty covers options and accessories manufactured by the Company (e.g., fill spout kits, trim kits, skirts) against defects in material or workmanship. Warranty coverage begins on the date the option or accessory was originally purchased by the user.

WARRANTY LIMITATIONS

Our limited warranty does not cover defects, damage, or failure caused by the common carrier, installer, user, or other person, or resulting from, without limitation, any of the following: careless handling (lifting unit by plumbing, abrading finish, etc.); modification of any type for any reason (including modification to meet local codes); improper installation (including installation not in accordance with instructions and specifications provided with the unit); connections supplied by the installer of the equipment; improper voltage supply or unauthorized electrical modification; misuse; incorrect operation, or lack of proper routine maintenance; operation of the unit without specified minimum amount of water or at inappropriate water temperature; use of abrasive or improper cleaners; or acts of God, such as lightning, floods, earthquakes, etc.

In addition, THE COMPANY WILL NOT BE RESPONSIBLE FOR INCIDENTAL OR CONSEQUENTIAL DAMAGES or losses arising from any cause (e.g., water damage to carpet, ceiling, loss of use, etc.) including its own negligence; damages to, respecting, or resulting from: plated parts when chemicals are used in the unit; optional equipment not manufactured by the Company but supplied by Dealer, installer or the Company; the unit's prior usage as an operational display; or defects that should have been discovered before installation. This limited warranty does not include: labor, transportation, or other costs incurred in the removal and/or reinstallation of the original unit and/or installation of a replacement unit; any costs relating to obtaining access for repair; or loss of use damage, including loss of sales, profit or business advantage of any kind under any circumstances. Units in commercial use are excluded from any warranty coverage whatsoever.

Warranty coverage is provided only in the United States of America and Canada.

EXCLUSION OF IMPLIED WARRANTIES

IMPLIED WARRANTIES OF MERCHANTABILITY AND FITNESS FOR A PARTICULAR PURPOSE ARE DISCLAIMED ALTOGETHER OR TO THE FULL EXTENT ALLOWED BY LAW.

NOTICE: This warranty gives you specific legal rights, and you may also have other rights which vary from state to state. There are no warranties applicable to Jacuzzi® Luxury Bath products except as expressly stated herein or as implied by applicable state and federal laws. The Company will not be responsible for any statements or representations made in any form that go beyond, are broader than or are inconsistent with any authorized literature or specifications furnished by the Company.

Some states do not allow limitations on how long an implied warranty lasts, or the exclusion or limitation of incidental or consequential damages, so the above limitations and exclusions may not apply to you.

RETURN OF WARRANTY CARD

The attached pre-addressed Warranty Registration Card MUST be filled out by the purchaser within thirty (30) days from purchase and mailed to Jacuzzi Luxury Bath in order for this warranty to become effective.

Jacuzzi Luxury Bath Shower Base
E124000Y, June 2013



Jacuzzi Luxury Bath
14525 Monte Vista Avenue
Chino, California 91710

RESPONSIBILITIES OF OTHERS

Inspecting the unit prior to installation is the responsibility of the installer or building contractor who acts on behalf of the user. They are responsible for ensuring the unit is free of defect or damage. Notices are placed on and in the unit and on the shipping carton advising the installer of this responsibility. In the event of a problem, the unit must not be installed. The Company is not responsible for failures or damage that could have been discovered, repaired, or avoided by proper inspection and testing prior to installation.

Damage occurring in transit is the responsibility of the carrier. The user or installer MUST open the crates and inspect the unit for damage when it is delivered. If damage is discovered, it must be reported immediately to the seller and the carrier in writing, and an inspection requested. Failure of the carrier to respond should be reported to the seller and the carrier. Your freight claims should be filed promptly thereafter.

It is the responsibility of the installer, building contractor, or user to provide access for service. The Company is not responsible for any costs relating to obtaining access for repair. The user shall bear such costs and, if appropriate, must seek recovery from the installer.

Damage occurring to the unit during installation is the responsibility of the installer and/or building contractor and damage occurring thereafter is the responsibility of the user.

Failure of any optional equipment is the sole responsibility of the equipment manufacturer. (Options and accessories manufactured by the Company are warranted for ninety (90) days from the original date of purchase for parts only.)

The Distributor or Dealer is responsible for knowing local code requirements and notifying the installing contractor and/or user of these requirements at the time of purchase. The Company is not responsible for costs to modify any product to obtain any code approval, such as city, county, or state building codes in U.S.A. or municipal or provincial codes in Canada.

WARRANTY SERVICE

For the customer's benefit, the Company maintains a list of independent service personnel to perform required warranty service repairs. Such firms are not agents or representatives of the Company and cannot bind the Company by words or conduct.

The Company will provide the warranty service described above when the following conditions have been met: the failure is of the nature or type covered by the warranty; the user has informed an Authorized Jacuzzi Luxury Bath Service Agent or Warranty Service Department Representative of the nature of the problem during the warranty period; conclusive evidence (e.g., proof of purchase or installation) is provided to the foregoer by the user proving that the failure occurred or was discovered within the warranty period; an authorized independent service person or Company representative has been permitted to inspect the unit during regular business hours within a reasonable time after the problem was reported by the user.

In order to obtain warranty service, consult your local telephone book for the location of the nearest Jacuzzi Luxury Bath Authorized Service Agent. Describe the problem and the Authorized Service Agent will inspect the unit and provide the required warranty service.

If you are unable to contact a Jacuzzi Luxury Bath Authorized Service Agent, call or write:

Jacuzzi Luxury Bath

14525 Monte Vista Avenue

Chino, California, 91710

Call: 800-288-4002

To obtain warranty replacement for factory-installed components or Company supplied options and accessories manufactured and supplied by the Company, call or write the above. Provide a description of the problem and proof of purchase. You will be instructed how to obtain replacements and where to return, at your expense, the failed component(s), option(s), or accessory(ies).

All replacement parts, equipment, and repairs shall assume the remaining warranty period of the part(s) replaced.

The Company's warranty obligation shall be discharged upon tender of replacement or repair. The customer's refusal to accept the tender terminates the Company's warranty obligation.

Ninety-Day
Parts Only
Limited Warranty
On
Accessory(ies)



**Warranty
Registration Card**

This card must be filled out and returned to the address printed on the other side within thirty (30) days from date of purchase in order for this warranty to be come effective.

Purchaser's Name _____
 Purchaser's Address _____
 City _____ State _____ Zip _____
 Date of Purchase _____
 Model Name _____
 Serial Number _____
 Dealer's Name _____
 Dealer's Address _____

1. How did you first hear about this Jacuzzi® product?
 Advertisement Article in Magazine/Newspaper
 Visited Dealer/Plumbing Supplier Yellow Pages
 Builder/Plumber/Remodeler Decorator/Architect
 Visited Retailer/Home Center Store
 Word of Mouth... Friend/Relative/Acquaintance
 Other (Please Describe) _____

2. Who first gave you specific information about this product (specifications, prices, etc.)?
 Dealer/Plumbing Supplier Builder Remodeler
 Plumbing Contractor Retailer/Home Center Store
 Decorator/Architect Already Installed
 Styling Warranty Service Product Features
 Brand Name Price Hydrotherapy
 Home Resale
 Other _____

3. What was the main reason for purchase?
 Self Spouse Self and Spouse Together
 Other Family Member Designer/Architect
 Builder/Plumber/Remodeler Already Installed
 Contractor/Plumber when remodeling
 Self/Spouse when remodeling
 Other _____

4. Who finally decided which product you would buy?
 Self Spouse Self and Spouse Together
 Other Family Member Designer/Architect
 Builder/Plumber/Remodeler Already Installed
 Contractor/Plumber when remodeling
 Self/Spouse when remodeling
 Other _____

5. Who installed?
 Already installed/New Home
 Contractor/Plumber when remodeling
 Self/Spouse when remodeling
 Other _____

6. What is the current market value of this property?
 Please estimate \$ _____ years

7. What is the age of the head of the household?
 0-5 years 6-10 years 11-15 years 16-20 years 21-25 years 26-30 years 31-35 years 36-40 years 41-45 years 46-50 years 51-55 years 56-60 years 61-65 years 66-70 years 71-75 years 76-80 years 81-85 years 86-90 years 91-95 years 96-100 years

8. What other manufacturers did you consider?
 Aiaia Aquaglass
 Eller Lasco Price Pfister Sterling
 Kohler American Standard Other (Specify) _____

9. How long did you shop before purchasing unit?
 1 day 2 months-6 months
 2-7 days 6 months-1 year
 1 week-2 weeks 1 year-2 years
 2 weeks-4 weeks 2-4 years
 1 month-2 months 4-6 years

10. Approximately how long have you lived in this home?
 Please indicate, approximately, the total annual income of your household.
 Up to \$24,999 \$50,000 to \$74,999
 \$25,000 to \$29,999 \$75,000 to \$99,999
 \$30,000 to \$39,999 \$100,000 to \$149,999
 \$40,000 to \$49,999 \$150,000 and Above

11. Was your purchase process?
 Very easy Easy Difficult Very Difficult

Ninety-Day
Parts Only
Limited Warranty
On
Accessory(ies)



BASE PARA DUCHA

INSTRUCCIONES DE INSTALACION

Jacuzzi Luxury Bath

14525 Monte Vista Avenue
Chino, CA 91710
1-800-288-4002
www.jacuzzi.com

Contenido

Contenido 14
Conserve estas instrucciones para uso futuro 14
Especificaciones de la base para ducha Catalina™ 15
Especificaciones de la base para ducha Cayman™ Tru-Level™ 16
Instrucciones de Instalación de la base para ducha Catalina™ 17
Especificaciones de la base para ducha Cayman™ Tru-Level™ 18
Limpieza Después de la Instalación 20
Dimensiones para Preparación de Instalación (Solo Neo-Angular) 20
Instrucciones de instalación y extracción de la tapa del desagüe de la base Catalina™ 21
Garantía limitada 23

Conserve estas instrucciones para uso futuro.**NOTA**

Complete y envíe la tarjeta de registro de producto proveída con las instrucciones.
Escriba y guarde el número de modelo y serie de su unidad abajo

Fecha de compra _____

Comprado a _____

Instalado por _____

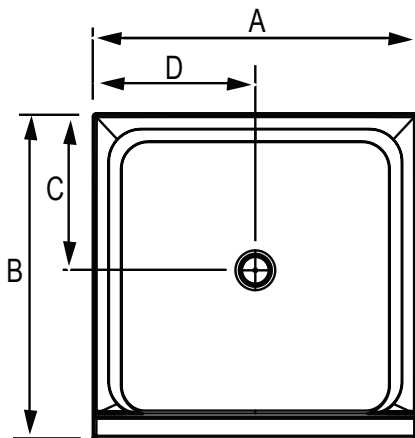
Número de serie _____

Número de modelo _____

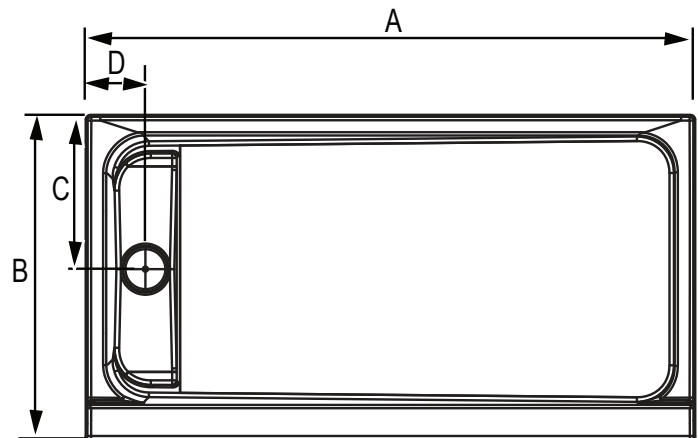
Instalador: Deje este manual al propietario.

Propietario: Lea este manual y guárdelo para referencia.

Especificaciones de la base para ducha Catalina™



**Desagüe central
(Lado del umbral)**



**Desagüe izquierdo y derecho
(Lado del umbral)**

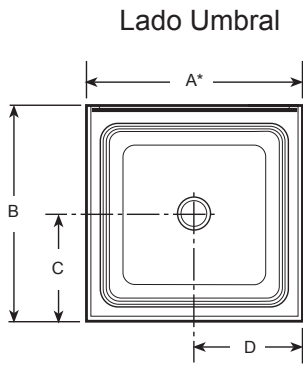
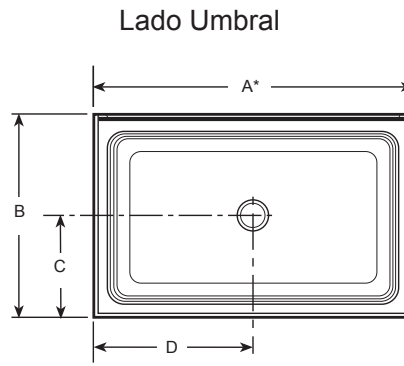
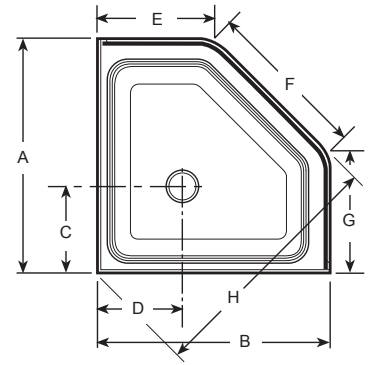
*Agregue 1/8" (3mm) para las dimensiones preliminares.

Configuración del producto	Número de pieza de la base para ducha	Código de venta del producto (MPC, por sus siglas en inglés)	Dimensiones				Peso del Producto
			A	B	C	D	
Desagüe central	MB96000	CAT4836 SCX XXX X	48" (1219mm)	36" (914mm)	17-3/16" (437mm)	24" (610mm)	50 lbs. (23kg)
	MB71000	CAT4848 SCX XXX X	48" (1219mm)	48" (1219mm)	23-3/16" (589mm)	24" (610mm)	55 lbs. (25kg)
	MB92000	CAT6042 SCX XXX X	60" (1524mm)	42" (1067mm)	20-3/16" (513mm)	30" (762mm)	68 lbs. (31kg)
Desagüe izquierdo/ derecho	MB76000	CAT6030 SLX XXX X	60" (1524mm)	30" (762mm)	14-3/16" (360mm)	5-7/8" (149mm)	55 lbs. (25kg)
	MB80000	CAT6030 SRX XXX X					
	MB84000	CAT6032 SLX XXX X	60" (1524mm)	32" (813mm)	15-3/16" (386mm)	5-7/8" (149mm)	59 lbs. (27kg)
	MB88000	CAT6032 SRX XXX X					

Las especificaciones del producto están sujetas a cambio sin previo aviso.

Nota: Este es un producto de calidad profesional. Se requieren conocimientos de técnicas de construcción, fontanería e instalación eléctrica conforme a los códigos para la instalación apropiada y la satisfacción del usuario. Recomendamos que un contratista autorizado realice la instalación de todos los productos Jacuzzi Luxury Bath. Nuestra garantía no cubre problemas relacionados con instalaciones inadecuadas.

Especificaciones de la base para ducha Cayman™ Tru-Level™


Cuadrado

Rectangular

Neo-Angular

*Añada 1/8" (3mm) en las dimensiones del bosquejo para la instalación.

Configuración del producto	Número del Producto	Código de venta del producto (MPC, por sus siglas en inglés)	Dimensiones								Peso del Producto
			A	B	C	D	E	F	G	H	
Desagüe cuadrado/central	S344000	CAY3636SCXXXX	36" (914mm)	36" (914mm)	17.50" (445mm)	18.00" (457mm)	-	-	-	-	24 lb (11kg)
	S348000	CAY4242SCXXXX	42" (1067mm)	42" (1067mm)	20.25" (514mm)	21.00" (533mm)	-	-	-	-	34 lb (15.4kg)
	S364000	CAY4848SCXXXX	48" (1219mm)	48" (1219mm)	23.25" (591mm)	24.00" (610mm)	-	-	-	-	43 lb (19.5kg)
Desagüe rectangular/central	S356000	CAY4834SCXXXX	48" (1219mm)	34" (864mm)	16.50" (419mm)	24.00" (610mm)	-	-	-	-	30 lb (13.6kg)
	S368000	CAY6036SCXXXX	60" (1524mm)	36" (914mm)	17.50" (445mm)	30.00" (762mm)	-	-	-	-	43 lb (19.5kg)
	T228000	CAY6034SCXXXX	60" (1524mm)	34" (864mm)	16.50" (419mm)	30.00" (762mm)	-	-	-	-	39 lb (17.7kg)
	T232000	CAY4234SCXXXX	42" (1067mm)	34" (864mm)	16.50" (419mm)	21.00" (533mm)	-	-	-	-	27 lb (12.2kg)
	T354000	CAY3642SCXXXX	36" (914mm)	42" (1067mm)	20.25" (514mm)	18.00" (457mm)	-	-	-	-	28 lb (12.7kg)
	T362000	CAY4236SCXXXX	42" (1067mm)	36" (914mm)	17.50" (445mm)	21.00" (533mm)	-	-	-	-	28 lb (12.7kg)
	T366000	CAY4248SCXXXX	42" (1067mm)	48" (1219mm)	23.25" (591mm)	21.00" (533mm)	-	-	-	-	38 lb (17.2kg)
	T370000	CAY6042SCXXXX	60" (1524mm)	42" (1067mm)	20.25" (514mm)	30.00" (762mm)	-	-	-	-	50 lb (22.7kg)
	T374000	CAY4832SCXXXX	48" (1219mm)	32" (813mm)	15.00" (381mm)	24.00" (610mm)	-	-	-	-	29 lb (13.2kg)
Desagüe neo-angular/central	T358000	CAY3838SNXXXX	38" (965mm)	38" (965mm)	14.50" (368mm)	14.50" (368mm)	17.38" (441mm)	29.00" (737mm)	17.38" (441mm)	39.00" (991mm)	23 lb (10.4kg)
	S352000	CAY4242SNXXXX	42" (1067mm)	42" (1067mm)	16.06" (408mm)	16.06" (408mm)	21.50" (546mm)	29.00" (737mm)	21.50" (546mm)	45.00" (1143mm)	29 lb (13.2kg)
	S360000	CAY4848SNXXXX	48" (1219mm)	48" (1219mm)	16.25" (413mm)	16.25" (413mm)	27.50" (699mm)	29.00" (737mm)	27.50" (699mm)	53.00" (1346mm)	39 lb (17.7kg)

Las especificaciones del producto están sujetas a cambio sin previo aviso.

NOTA: Este es un producto de calidad profesional. Para una instalación apropiada y la satisfacción del usuario, se requiere de un conocimiento de acuerdo a los códigos en las técnicas de construcción, plomería y electricidad. Recomendamos que un contratista licenciado efectúe la instalación de todos los productos de Jacuzzi Luxury Bath. Nuestra garantía no cubre los problemas que resulten de una instalación inadecuada.

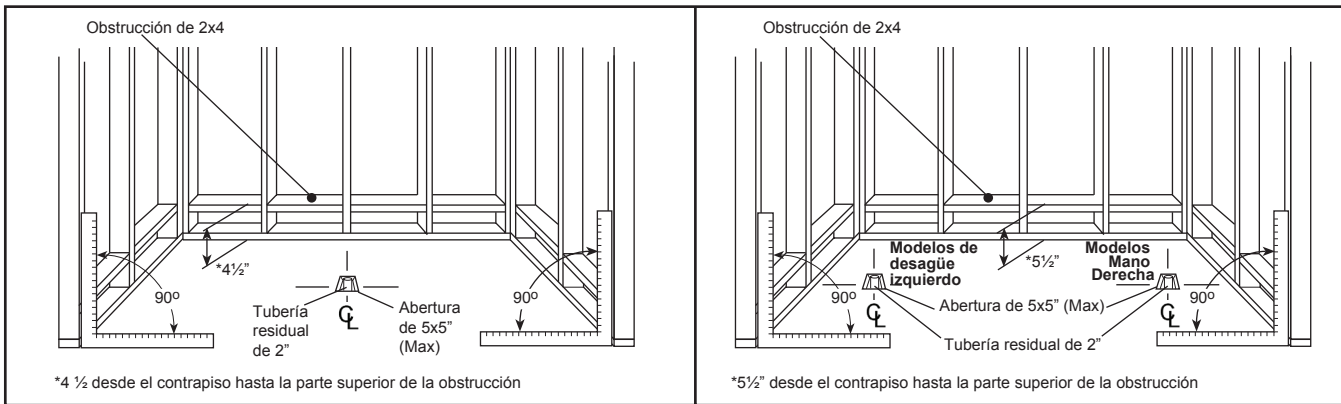
Instrucciones de instalación de la base para ducha Catalina™

Español

- 1 Retire la base para ducha de la caja. No destruya la caja de envío hasta que haya realizado una inspección satisfactoria del producto. En caso de que la inspección inicial revele algún daño o defecto en el acabado, no instale la base para ducha. La responsabilidad de Jacuzzi Luxury Bath por daños durante el transporte finaliza contra entrega del producto en buen estado al transportista. Presente sus reclamos por daños al transportista. Los daños o defectos reclamados después de la instalación están excluidos de la garantía. Jacuzzi no se hace responsable de ningún defecto o daño que pudiera haberse descubierto, reparado o evitado de haberse seguido este procedimiento de inspección y prueba.
- 2 Planifique la instalación en función a las superficies de la pared terminadas. Tenga en cuenta las dimensiones tanto de la base para ducha como del compartimento. Instale los accesorios opcionales después de que haya completado toda la instalación.
- 3 Deje una abertura mínima de 5 x 5" en el contrapiso. La abertura debe estar ubicada en las líneas centrales (CL) del orificio de desagüe de la base (consulte el Cuadro del producto). La abertura debe permitir la instalación de una tubería residual de 2". La tubería residual debe estar entre ¼" y ½" por encima de la superficie del contrapiso (consulte la Figura 1). Si el contrapiso está nivelado, no es necesario realizar otra preparación. Comience a instalar la base. Si el contrapiso no está nivelado, nivele la base para ducha esparciendo un compuesto nivelador para pisos, mortero, yeso o espuma estructural de mínima expansión que tenga una densidad de un mínimo de 5 libras por pie cúbico.

NOTE: The compound must make contact with the entire bottom surface of the base feet. The base is not to be supported by the base flange. Both sides of a joint or splice of sub-floor should be level to each other.

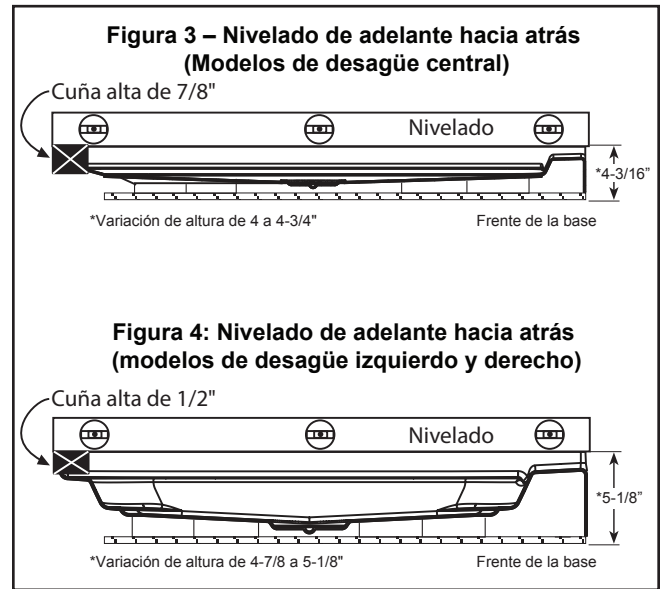
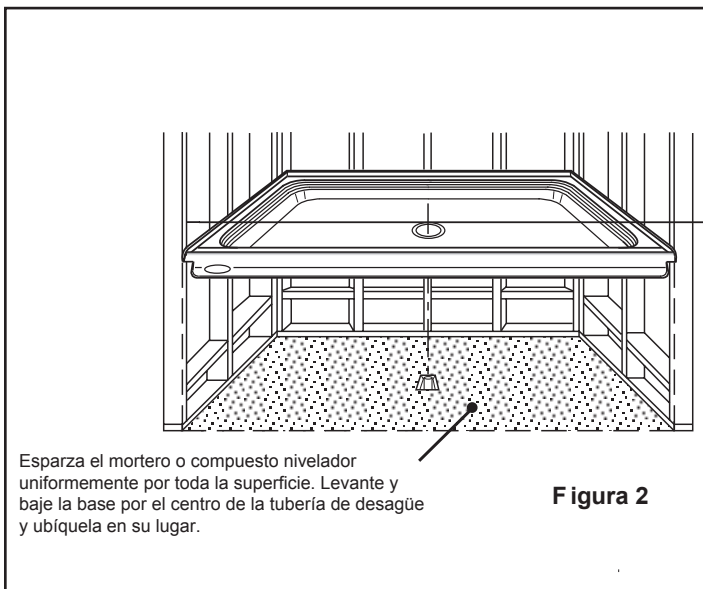
Figura 1: Dimensiones preliminares (consulte el Cuadro del producto para conocer la ubicación del desagüe)



Desagüe central

Desagüe izquierdo/derecho

- 4 Ubique e instale la base sobre el desagüe (consulte la Figura 2). Pase la conexión de drenaje por el centro de la tubería de desagüe y baje cuidadosamente la base de la ducha. Presione firmemente hasta que la base esté en posición. Controle el nivel de la base en dos direcciones. Se necesita una cuña alta en la parte posterior de la base para lograr el nivelado de adelante hacia atrás (consulte las Figuras 3 y 4). Avance a la página 19 para continuar con este proceso de instalación.

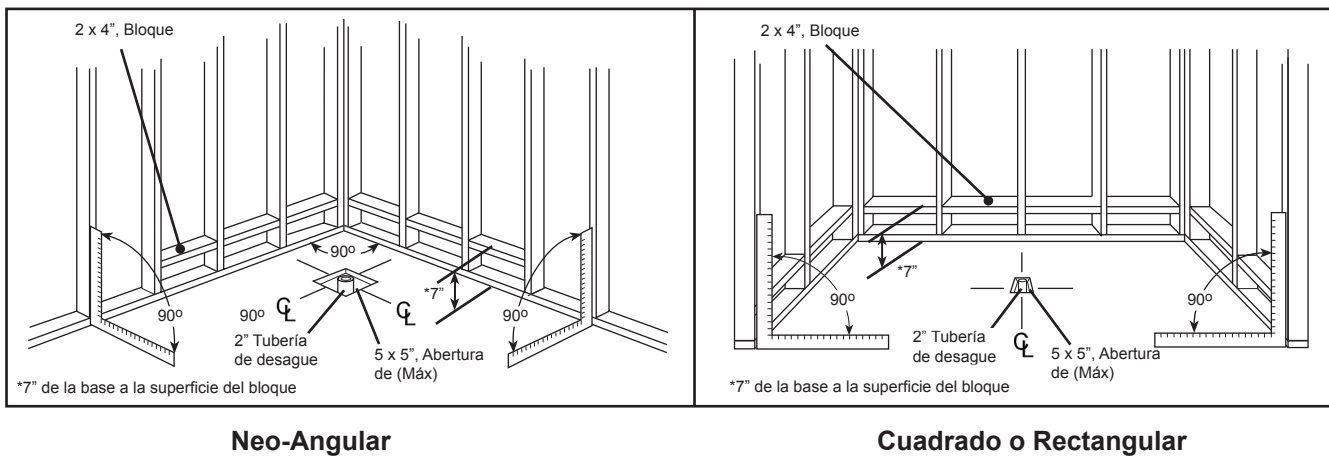


Instrucciones de instalación de la base para ducha Cayman™ Tru-Level™

- 1 La base para ducha no incluye el desagüe, que se requiere para completar la instalación. Quite la base de ducha del cartón. No destruya el cartón de empaque hasta que la inspección sea satisfactoria del producto. Si la inspección inicial muestra cualquier daño o defecto en el superficie, no lo instalarle. La responsabilidad de Jacuzzi Luxury Bath termina con la entrega del producto en buena condición al portador. Dirigir cualquier reclamación de daño al portador. Cualquier daño o defecto de reclamo registrado después de la instalación es excluido de la garantía. Jacuzzi no es responsable de ningún daño o defecto que podría haber sido descubierto, reparado, o evitado siguiendo la inspección y prueba.
- 2 Planear la instalación en relación del superficie de las paredes terminadas. Tomar en cuenta las dimensiones de ambos base y recinto de la puerta. Instalar las partes opcionales después de que toda otra instalación es completa.
- 3 Proporcionar una apertura en el subsuelo, mínimo de 5 x 5". La apertura debe ser localizada en las líneas de centro (Q) del desagüe, ver la Gráfica de Producto. La apertura es para acomodar un tubo de deshecho de 2". El tubo debe ser 1/4 a 1/2" encima de la superficie del subsuelo, ver la Figura 5. Si el subsuelo está nivelado, no se necesita ninguna preparación. Seguir a instalar la base. Si el subsuelo no está nivelado, poner un compuesto para nivelar el suelo como mortero, yeso, o espuma expansiva estructural con densidad mínimo de 5 libras por pie cúbico (lb/ft³).

NOTA: El compuesto debe hacer contacto con toda la superficie con los pies del base. No sostenga la base por los extremos superiores de la base. Ambos lados de la unión se empalman al subsuelo debería ser el nivel uno del otro.

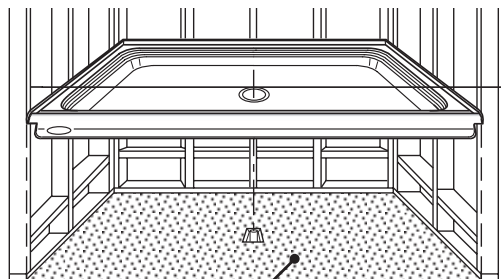
Figura 5. Preparación Preliminar del Area (Ver la Tabla de Productos (Tru-Level™))



Neo-Angular

Cuadrado o Rectangular

- 4 Alinear e instalar la base sobre el desagüe, ver la Figura 6. Con la parte de denaje posicionado sobre el centro del tubo, bajar la base cuidadosamente en su lugar. Presionarlo firmemente hasta que la base está colocada. Verificar el nivel de la base de dos direcciones. Una láminilla de 1/4" es necesario atrás de la base de frente hacia atrás, ver la Figura 7.



Mortero o yeso cubriendo a nivel el área entera. Levante y baje la base sobre el centro de la tubería de desagüe y colóquela en su lugar.

Figura 6

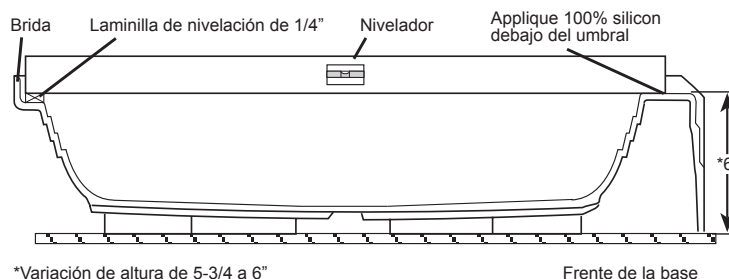


Figura 7. Nivelar de Frente Hacia Atras

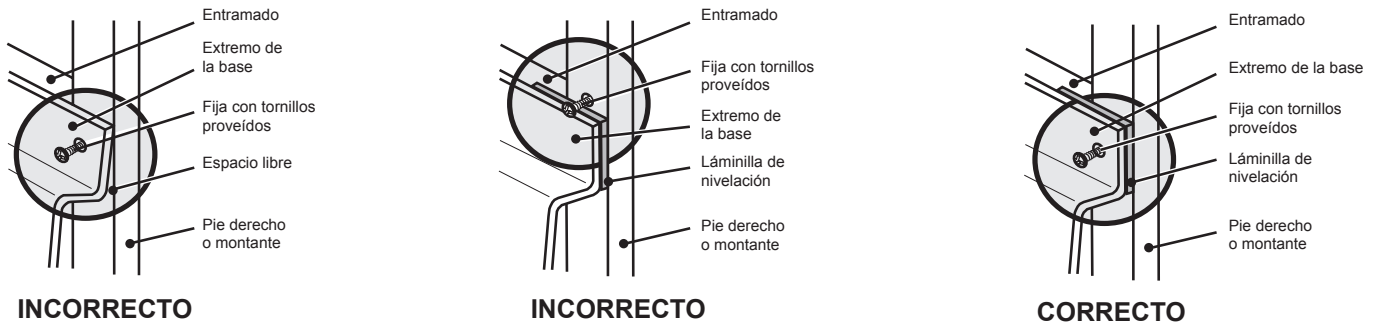
Procedimientos de instalación - Continuación (Todos los modelos)

PRECAUCIÓN No levante una esquina de la base para nivelarla. Este causará la pérdida del contacto con el mortero.

- 5** Pegar un extremo de la base al pared de pie derecho y asegurala con con los tornillos proveídos. Utilizar un mínimo de tres tornillos por sección del frente, ver la Figura 8. Si hay espacio libre entre la brida y el pie derecho, usar una láminilla debe ser usado para prevenir la deformación o agrietamiento del frente.

PRECAUCIÓN Utilizar los tornillos de acero inoxidable incluidos.

Figura 8



IMPORTANTE Si hay un espacio entre el extremo de la base y el pie derecho o entramado, hay que usar láminilla.

- 6** Apretar el desagüe según las instrucciones que viene con el juego de equipo. Al instalar el drenaje, verificar que hay desagüe apropiado.

PRECAUCIÓN Si la base para ducha no tiene el desagüe adecuado, corregirla antes de proceder con la instalación. Es la responsabilidad del Instalador hacer una instalación hermética. La fuga de agua es excluida de la Garantía. Jacuzzi no es responsable de gastos de reinstalación.

- 7** Sustituir el tamiz, si el equipo tiene. Cubrir la apertura del drenaje con cinta para que no entra el sucio de los materiales de instalación. Colocar un pared de cemento o equivalente encima del borde de la base y asegurarlo al entramado, ver Figura 9

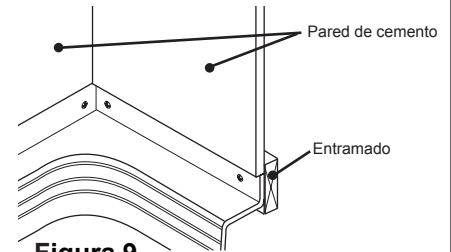


Figura 9

- 8** Aplicar el azulejo u otro material de acabado, dejando un espacio de 1/8" entre el material y el labio de la brida de la base. Usar silicona para llenar el espacio. Dejar un agujero de desagüe de 1/4" mínimo en las esquinas de frente y atrás de la base, ver las Figuras 10 y 11. Aplique 100% silicona debajo del azulejo y sobre el umbral (ver Figura 7 y 10). Consulte los códigos locales para el acabado adecuado u otros oficios.

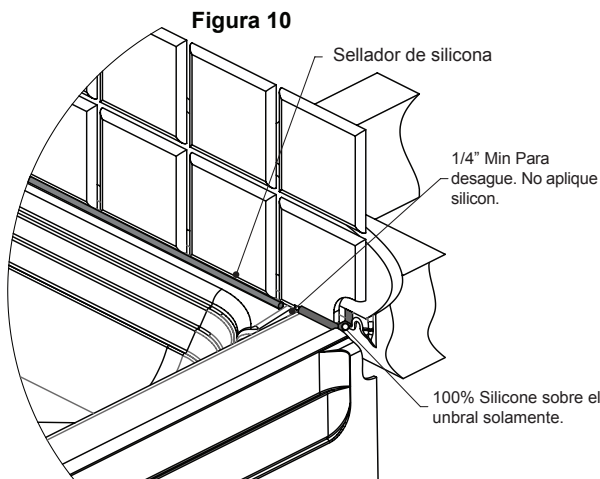


Figura 10

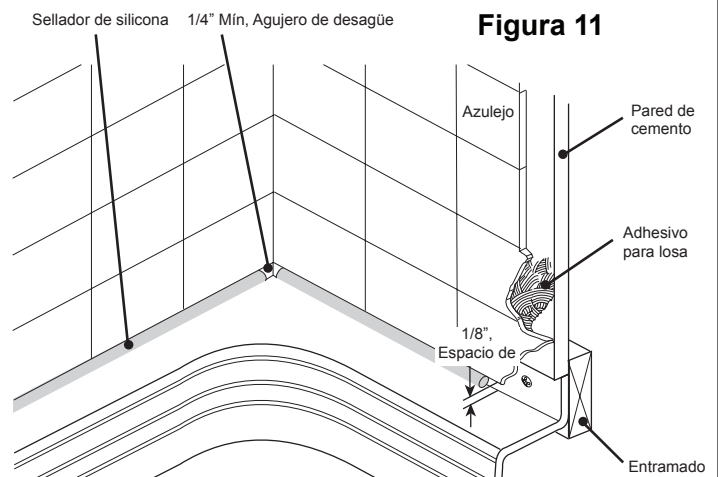
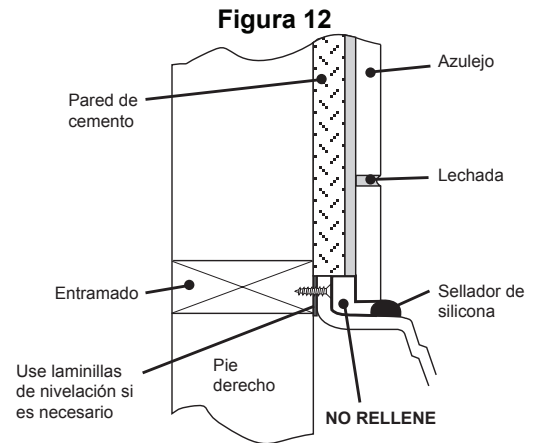


Figura 11

Procedimientos de instalación - Continuación (Todos los modelos)

⚠ PRECAUCIÓN Los agujeros de desagüe son necesarios para dirigir cualquiera fuga de agua posible.

- 9 Llenando la área marcada, Do Not Fill (No Llenarse), va a prevenir el agua pasar por los agujeros de desagüe, ver Figura 12. Tal humedad es debido a la salida por la lechada de azulejo. Es necesario dirigir la humedad por los agujeros.



Limpeza Después De La Instalación

- El acabado del acrílico no perderá en buen estado dando el mantenimiento adecuado. Para evitar daños, no usar jabones abrasivos o químicos ásperos. Un detergente líquido suave y el agua caliente limpiarán superficies manchadas.
- Quite el yeso derramado con un cuchillo de madera o plástico. Los instrumentos metálicos dañan agresivamente la superficie. Las manchas dejados por yeso o lechada se quitan con detergente suave y una tela o esponja húmeda aplicado ligeramente.
- Los rasguños menores que no afectan el acabado del color pueden ser removidos ligeramente con un papel de lija de 600 arenas, mojado-seco. Para restaurar el fin lustroso, use un compuesto especial como el Meguiar's No. 10 Mirror Glaze. Si no está disponible, use un compuesto de frotamiento automotor seguido de una aplicación de la cera de pasta automotor.
- Rasguñas mayores y marcas que afectan la superficie acrílica puede requerir un reacabado. Mejor contactar su distribuidor Jacuzzi Luxury Bath para instrucciones.

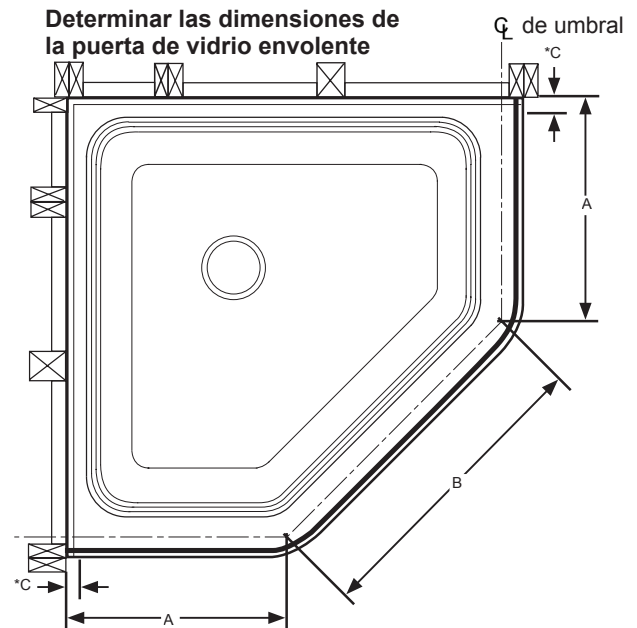
Dimensiones para Preparación de Instalación (Solo Neo-Angular)

*C representa la dimensión desde la pared de montantes hasta la cara de los materiales de acabado usados en la construcción de la ducha. Si se usan las paredes envolventes de Jacuzzi Luxury Bath, se debe substraer 1-3/8" de la demensión A para obtener la dimensiones de la envolvente de vidrio. Si se usan otros materiales, se debe substraer el espesor de esos materiales de la dimensión A.

PARA BASES DE DUCHA CUADRADAS Y

RECTANGULARES: Si se usan paredes envolventes de Jacuzzi Luxury Bath, se debe substraer 1-3/8" de la distancia desde la pared de montantes hasta cada extremo para obtener las dimensiones de la puerta envolvente de vidrio (vea la ilustración en la página del frente y el cuadro). Si se usan otros materiales, reste sus espesores de la distancia entre la pared de montantes y cada extremo.

Modelo	A	B	C
3838N	16-3/4"	28"	1-3/8"
4242N	20-3/4"	27-3/8"	1-3/8"
4848N	26-3/4"	27-1/2"	1-3/8"



Use Las Instrucciones De Instalación Porporcionadas Con El Producto

Jacuzzi Luxury Bath ha obtenido las listas de códigos correspondientes (standards), para productos de este tipo, que generalmente están a disposición por todo el país. Antes de instalar el producto, el instalador o dueño de éste tiene la obligación de cumplir con el código específico local. Jacuzzi Luxury Bath no representa, ni garantiza, ni es responsable de hacer cumplir cualquiera de estos códigos de instalación.

Instrucciones de instalación y extracción de la tapa del desagüe de la base Catalina™

El diseño de la tapa del desagüe de la base Catalina™ permite que se adapte perfectamente a la parte superior del desagüe empotrado, como muestra la Figura 13.

Para instalar la tapa del desagüe

Coloque la tapa del desagüe por encima de la parte superior del área de la base para ducha empotrada. Asegúrese de que las cuatro patas de enganche de la tapa del desagüe estén alineadas con las cuatro ranuras del filtro (como muestra la Figura 14A) antes de presionar hacia abajo para trabar.

NOTA: Es necesario alinear las ranuras del filtro con las patas de enganche de la tapa del desagüe antes de presionar hacia abajo, como muestra la Figura 14B. Las piernas están diseñados para encajar en el colador Jacuzzi MB28827 (incluido en la compra plato de ducha).

Para extraer la tapa del desagüe

Levante con cuidado la tapa del desagüe con una herramienta no abrasiva, como una espátula de plástico, como muestra la Figura 15. NO UTILICE herramientas abrasivas o con bordes filosos de ningún tipo.

NOTA: La tapa del desagüe está hecha de un material frágil y se romperá si se cae por accidente.

RIESGO DE LESIÓN CAUSADA POR UN ACCIDENTE: No permita que los niños utilicen esta unidad a menos que sean supervisados atentamente en todo momento. Este equipo está previsto para uso en interiores solamente.

Instrucciones de cuidado y limpieza de la tapa del desagüe

Las tapas del desagüe Jacuzzi Luxury Bath se fabrican con materiales no porosos y duraderos que, con el cuidado y la limpieza apropiados, resisten en gran medida la acumulación de suciedad y manchas. Para garantizar el cuidado adecuado, siga estos pasos sencillos:

1. Primero limpie la tapa del desagüe con detergente suave y agua tibia, enjuague y vuelva a limpiar con un paño suave (ligeramente humedecido) para retirar el exceso de jabón.
2. Para quitar manchas más difíciles, como las manchas de grasa, aceite, pintura o tinta, coloque alcohol en la superficie afectada, y luego limpie con un paño suave y seco.
3. Evite el uso de disolventes y limpiadores abrasivos, químicos agresivos o productos que contengan ingredientes para la remoción de cal. Estos productos pueden dañar el acabado y anular la garantía.
4. NO utilice paños o almohadillas abrasivos de ningún tipo.
5. NO utilice navajas u otros objetos filosos que puedan rayar la superficie.
6. NO utilice productos de baño que contengan colorantes.
7. Si no está seguro de si el producto es adecuado para usar en estas bañeras, pruebe primero una pequeña cantidad del producto en un área que sea inadvertida antes de utilizarlo en una parte visible.

Para modelos de superficie sólida de acabado mate consulte estas pautas adicionales Para quitar manchas muy difíciles, Jacuzzi Luxury Bath recomienda los siguientes limpiadores y materiales:

- Mr. Clean Magic Eraser
- Soft Scrub, almohadillas Bon Ami o Scotch Brite grises (únicamente).
- **PRECAUCIÓN:** NO utilice almohadillas Scotch Brite verdes por ningún motivo, ya que dañan la superficie de la bañera.

Figura 13

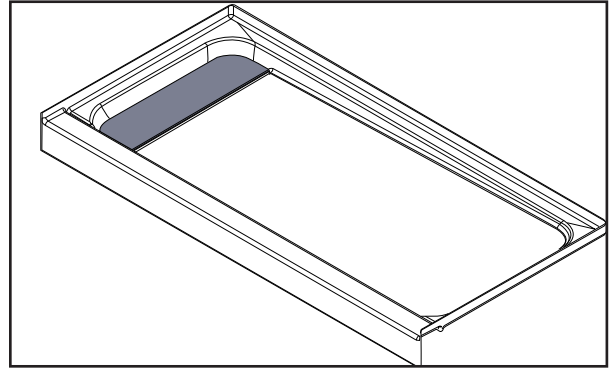


Figura 14A

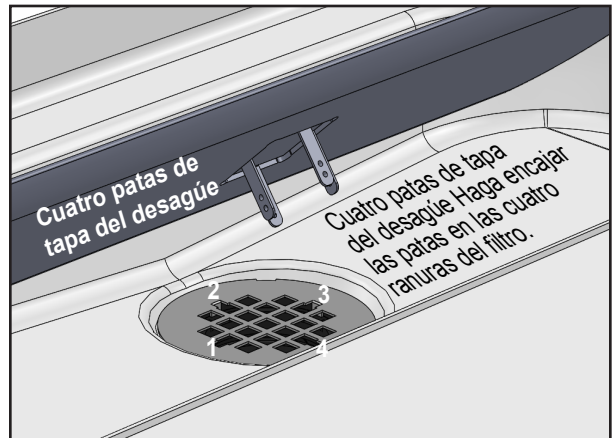


Figura 14B

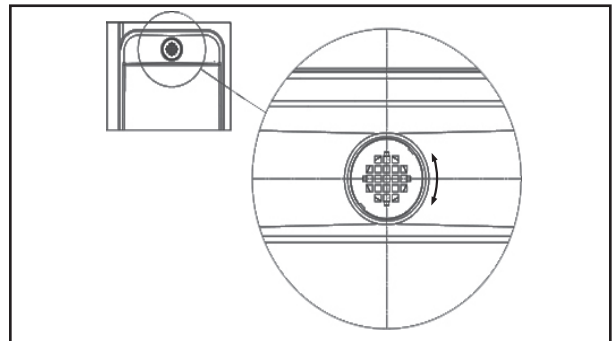
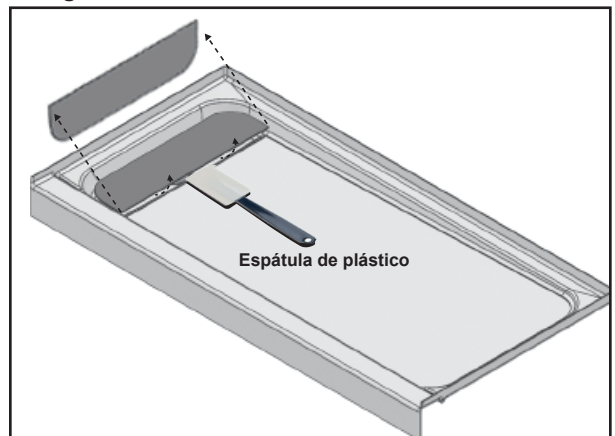


Figura 15





Notas:

Espanol



Garantía Limitada de Tinas de Jacuzzi Luxury Bath Producto Base para Ducha

COBERTURA DE LA GARANTÍA

Jacuzzi Luxury Bath (la "Compañía") ofrece la siguiente garantía limitada expresa a los compradores originales de cualquier producto de los sistemas de baños de ducha de Jacuzzi Luxury Bath Builder Group Bath Product ("unidad") que compren el producto para uso personal o de una sola familia ("usuario"). La Compañía se compromete a la reparación o sustitución, según sea su decisión , de la unidad o sus equipos, de conformidad con los siguientes términos y condiciones. Las unidades en uso comercial quedan excluidas de cualquier cobertura de garantía.

GARANTÍA LIMITADA DE UN AÑO EN LOS SISTEMAS DE BAÑOS DE DUCHA

Nuestra garantía limitada en los productos de los sistemas de baños de ducha es de un (1) año. La garantía cubre a la unidad y a los componentes instalados de fábrica (v.g. la bomba, el motor) en contra de cualquier defecto de material o de construcción. La cobertura de la garantía empieza el día que el usuario compró la unidad.

GARANTÍA LIMITADA DE NOVENTA DÍAS (REPUESTOS ÚNICAMENTE) EN OPCIONES Y ACCESORIOS

Nuestra garantía limitada en las opciones y accesorios de los repuestos únicamente fabricados por la Compañía es de noventa (90) días. Nuestra garantía cubre las opciones y accesorios fabricadas por la Compañía (v.g. juego de cascadas, vestiduras, faldas) en contra de cualquier defecto de material o de construcción. La cobertura de la garantía empieza el día que el usuario compró la opción o accesorio.

LIMITACIONES DE LA GARANTÍA

Nuestra garantía limitada no cubre los defectos, daños o fallas ocasionados por el distribuidor, instalador, o cualquier otra persona, ni los que resulten, sin limitaciones, de cualquiera de los casos siguientes: descuido en el manejo (levantamiento de la unidad al usando la plomería como mango, abresión de los terminados, etc.), modificación de cualquier tipo por cualquier razón (incluso modificaciones para cumplir con las normas de los códigos locales), instalación inadecuada (incluso instalación no conforme a las instrucciones y especificaciones que acompañan a la unidad); conexiones proporcionadas por el instalador del equipo; impropio abasto de voltaje o alguna modificación eléctrica no autorizada; mal uso; operación incorrecta; o falta de mantenimiento adecuado de rutina, operación de la unidad sin la cantidad mínima de agua que se especifica o a una temperatura del agua inadecuada; uso de limpiadores abrasivos o impropios; o desastres naturales como relámpagos, inundaciones, terremotos, etc.

Ademas, la COMPAÑÍA NO SERÁ RESPONSABLE POR DAÑOS INCIDENTALES O CONSECUENCIALES o pérdidas que se deriven de cualquier causa (v.g., daño del agua a las alfombras, techos, pérdida de uso, etc.) incluso su propia negligencia, daños a, relativos a, o que resulten de las partes cromadas cuando se usen en la unidad sustancias químicas para piscina o "spa"; equipo opcional de tina no fabricado por la Compañía pero provisto por el Distribuidor, instalador o por la Compañía; el uso anterior de la unidad para hacer demostraciones, o defectos que debieran haberse descubierto antes de la instalación. Esta garantía limitada no incluye: mano de obra, transporte, u otros costos en los que se incurra en la remoción y/o reinstalación de la unidad original y/o instalación de una unidad de reemplazo; cualquier costo relativo a lograr el acceso para la reparación, o daño por pérdida de uso, incluso pérdida de ventas, utilidades o ventajas comerciales de cualquier tipo en cualquier circunstancia. Las unidades en uso comercial quedan excluidas de cualquier cobertura de garantía.

La cobertura de la garantía se proporciona únicamente en los Estados Unidos de América y Canadá.

EXCLUSIÓN DE GARANTÍAS IMPLÍCITAS

GARANTÍAS APLICABLES DE MERCANTIBILIDAD Y ADECUACIÓN PARA UN PROPÓSITO DETERMINADO SON NEGADAS TOTALMENTE O HASTA EL LIMITE COMPLETO PERMITIDO CONFORME A LA LEY.

AVISO: Esta garantía le ofrece derechos legales concretos y es posible que además tenga usted otros derechos que varían de un estado a otro. No existen garantías aplicables a los productos Jacuzzi Luxury Bath, excepto los que aquí se expresan o los implícitos en leyes estatales y federales aplicables. La compañía no se hace responsable por declaraciones o interpretaciones que se hagan de cualquier forma y que resulten más amplias o que no correspondan con la literatura autorizada que proporciona la Compañía.

Algunos estados no permiten limitaciones a la duración de una garantía implícita, o la exclusión o limitación de daños incidentales o consecuenciales, de tal forma que las limitaciones o exclusiones antes descritas quizá no sean aplicables a usted.

RESPONSABILIDAD DE LA TARJETA DE GARANTÍA

La tarjeta anexa, que ya incluye la dirección de la Compañía, y que tiene por objeto el registro de la unidad para fines de garantía debe llenarse antes de que hayan pasado (30) treinta días de la compra y enviarse a Jacuzzi Luxury Bath para que esta garantía entre en vigor.

Jacuzzi®, Base para Ducha
E1Z4000Y, Junio 2013



Jacuzzi Luxury Bath
14525 Monte Vista Avenue
Chino, California, 91710



RESPONSABILIDAD DE TERCEROS

Es responsabilidad del instalador o del contratista constructor que actúen en nombre del usuario realizar una inspección de la unidad antes de instalarla. Ellos son responsables de asegurarse de que la unidad no tiene defectos ni daños. Se ponen avisos en la unidad y en la caja que la contiene para advertir al instalador sobre esta responsabilidad. En caso de que haya algún problema, no debe instalarse la unidad. La Compañía no se hace responsable de fallas o daños que podrían haberse detectado, reparado o evitado mediante una inspección apropiada y pruebas antes de la instalación.

Cualquier daño que ocurra durante el trayecto es responsabilidad del transportista. El usuario o instalador DEBE abrir la caja y revisar que la unidad no tenga ningún daño, al momento de la entrega. Si se encuentra algún daño, debe informarles de inmediato al vendedor y al transportista por escrito y debe solicitarse una inspección. En caso de que el transportista no responda, debe avisarles al vendedor y al transportista. Los reclamos de flete deben presentarse inmediatamente después.

Es responsabilidad del instalador, contratista constructor o usuario proporcionar acceso para servicio. La Compañía no es responsable por ningún costo incurrido para obtener acceso para reparación. El usuario deberá afrontar con estos gastos y, si es apropiado, deberá recobrar este costo del instalador.

Los daños que ocurran a la unidad durante su instalación son responsabilidad del instalador y/o del contratista constructor y daños que ocurran después de la instalación de la unidad son responsabilidad del usuario.

Fallas en cualquier equipo opcional son responsabilidad única del fabricante del equipo. (Opciones y accesorios fabricadas por la Compañía tienen garantía de noventa (90) días desde la fecha original de su compra para los repuestos únicamente).

El Distribuidor o Vendedor es responsable de conocer los requisitos de los códigos locales y de notificar al contratista instalador y o al usuario de estos requisitos al momento de su compra. La Compañía no es responsable por ningún costo incurrido en la modificación del producto para conseguir la aprobación del código, a fin de obtener la aprobación municipal, estatal o del condado para el código en los E.E.U.U., o códigos municipales o provinciales un Canadá.

SERVICIO DE GARANTÍA

Para beneficio del cliente, la Compañía tiene una lista de proveedores de servicio independientes que pueden realizar las reparaciones requeridas para el servicio de garantía. Dichas empresas no son ni agentes ni representantes de la Compañía y no pueden obligar a la Compañía por palabra o conducta.

La Compañía debe proporcionar el servicio de garantía que se describe arriba, cuando se hayan cumplido las siguientes condiciones: la falla es de una naturaleza o de un tipo que queda cubierto por la garantía; el usuario le ha informado a un Agente autorizado o Representante del Departamento de Garantías cuál es la naturaleza del problema durante el período cubierto por la garantía; el usuario le ha entregado a dicho agente o representante pruebas irrefutables (v.g. pruebas de compra o instalación) de que la falla ocurrió o se descubrió dentro del período de garantía; una persona autorizada de servicio independiente o representante de la Compañía ha tenido la oportunidad de inspeccionar la unidad durante horas hábiles regulares dentro de un lapso razonable después de que el usuario reportó la falla.

A fin de obtener un servicio de garantía, consulte su directorio telefónico para encontrar al Agente de Servicio Autorizado de Jacuzzi Luxury Bath que más cerca le quede. Describa su problema y el Agente de Servicio Autorizado inspeccionará la unidad y le ofrecerá el servicio que requiere la garantía.

En caso de que no pueda conseguir a un Agente de Servicio Autorizado de Jacuzzi Luxury Bath, escriba o llame a:

Jacuzzi Luxury Bath
14525 Monte Vista Avenue
Chino, California, 91710
Call: 800-288-4002

Garantía Limitada de
Noventa Días
Repuestos Únicamente
de Accesorio(s)

Para obtener un reemplazo según la garantía para componentes instalados de fábrica para opciones abastecidos por la Compañía y accesorios fabricados y abastecidos por la Compañía, llame o escriba al domicilio que abajo se señala. Proporcione una descripción del problema y una prueba de compra. Recibirá instrucciones de cómo obtener su reemplazo y de cómo devolver, a sus expensas, el o los componentes, opciones o accesorios defectuosos.

Todas las partes, equipos y reparaciones asumirán el resto del lapso de garantía de la parte o partes reemplazados.

La obligación de garantía de la Compañía quedarán descargadas con la oferta de reemplazo o reparación. En caso de que el cliente se niegue a aceptar la solución, se da por terminada la obligación de cumplimiento de garantía de la Compañía.

Garantía Limitada de
Noventa Días
Repuestos Únicamente
de Accesorio(s)

- Para que esta garantía entre en vigor, esta tarjeta debe llenarse y enviarse al domicilio que está impreso al reverso, antes de que hayan pasado (30) treinta días después de la fecha de compra.
- Nombre del Jefe de Familia _____
- Domicilio _____ Estado _____ Código Postal _____
- Ciudad _____
- Fecha de compra/ocupación _____
- Nombre del modelo _____
- Número de serie _____
- Nombre del distribuidor/constructor _____
- Dirección del distribuidor/constructor _____
- ¿Cómo se enteró de la existencia de este producto de Jacuzzi®. protegi?
 - Anuncio Publicitario Artículo en revista, periódico
 - Visita a Proveedor/distribuidor
 - Sección páginas amarillas
 - Constructor/Pionero/Remodelador Decorador/Arquitecto
 - Visite Revendedor/Ferretería
 - Publicidad de boca... amigo/parente/conocido
 - Otro (por favor describa)
 - ¿Quién fue la primera persona que le dio información sobre este producto (especificaciones, precios, etc)?
 - Proveedor de productos de baño Constructor
 - Remodelador Contratista de productos de plomería
 - Decorador/Arquitecto Ya estaba instalado
 - ¿Cuál fue la principal razón para la compra?
 - El estilo Servicio de garantía Accesorios del producto
 - Marca de Fábrica Precio Hidroterapia
 - Reventa de Casa
 - Otro _____
 - ¿Quién tomó la decisión final sobre qué producto comprar?
 - Yo mismo Conyuge Conyuge y yo juntos
 - Otro miembro de la familia Diseñador/Arquitecto
 - Constructor/Plomero/Remodelador Ya estaba instalado
 - ¿Quién instaló? Ya instalada/Casa Nueva
 - Contratista/Pionero Durante Renovación
 - Usad/Conyuge Durante Renovación
 - Otro (Especifique) _____
 - ¿Cuales actualmente el valor en el mercado de esta propiedad?
 - Aproximadamente \$ _____ años
 - ¿Qué edad tiene el jefe de familia? _____ años
 - Elier Lasco Price Pfister
 - Kohler American Standard Sterling
 - Otro (Especifique) _____
 - ¿Cuanto tiempo pasó usted buscando antes de comprar su unidad?
 - 1 día 2 meses-6meses
 - 2-7 días 6 meses-1año
 - 1 semana-2 semanas 1 años-2 años
 - 2 semanas-4 semanas mas de 2 años
 - 1 mes-2 meses
 - Aproximadamente, ¿cuanto tiempo han vivido en esa casa?
 - 11. Por favor indique, aproximadamente, ¿cuál es el ingreso total al año de su hogar?
 - Hasta \$24,999 De \$50,000 a \$74,999
 - De \$25,000 a \$29,999 De \$75,000 a \$99,999
 - De \$30,000 a \$39,999 De \$100,000 a \$149,999
 - De \$40,000 a \$49,999 \$150,000 y más
 - 12. ¿Fue su proceso de comprar?
 - Muy fácil Fácil Difícil Muy Difícil



**Tarjeta de Registro
para la Garantía**



BASES DE DOUCHE

Français

CONSIGNES D'INSTALLATION ET D'UTILISATION

Jacuzzi Luxury Bath

14525 Monte Vista Avenue
Chino, CA 91710
1-800-288-4002
www.jacuzzi.com

Table des matières

Table des matières	26
Renseignements sur le produit	26
Caractéristiques des bases de douche Catalina ^{MC}	27
Caractéristiques des bases de douche Cayman ^{MC} Tru-Level ^{MC}	28
Consignes d'installation pour les bases de douche Catalina ^{MC}	29
Consignes d'installation pour les bases de douche Cayman ^{MC} Tru-Level ^{MC}	30
Nettoyage après installation	32
Dimensions de disposition des tuyaux (néo-angle uniquement)	32
Consignes d'installation et de retrait du couvercle d'évacuation Catalina ^{MC}	33
Garantie.....	35

Renseignements sur le produit**REMARQUE**

Conservez ces consignes pour utilisation ultérieure. Notez sur le formulaire ci-dessous votre modèle et numéro de série pour consultation ultérieure.

Date d'achat _____

Acheté chez _____

Installé par _____

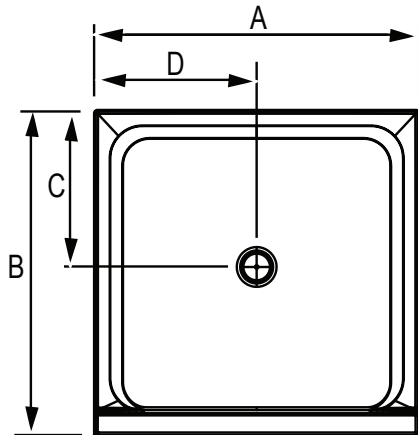
Numéro de série _____

Modèle _____

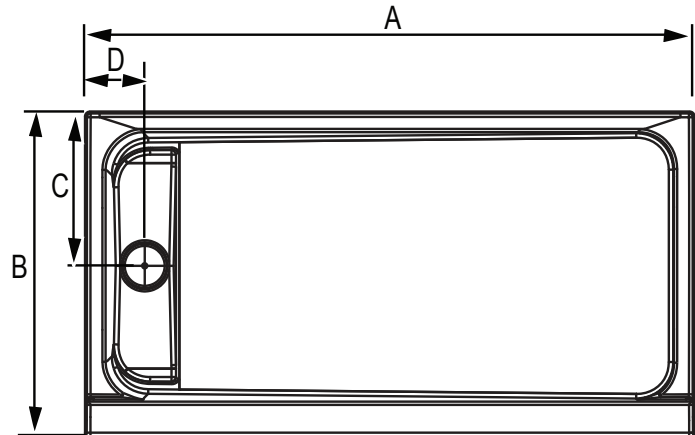
Installateur : laissez le manuel au propriétaire.

Propriétaire : lisez ce manuel et gardez-le pour consultation future.

Caractéristiques des bases de douche Catalina^{MC}



**Évacuation centrée
(côté seuil)**



**Évacuation à gauche/à droite
(côté seuil)**

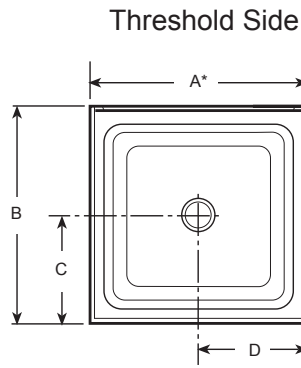
*Ajoutez 0,125 po (3mm) pour connaître les dimensions de disposition des tuyaux.

Configuration du produit	Numéro de pièce de la base de douche	Code produit marketing (MPC)	Dimensions				
			A	B	C	D	Poids
Évacuation centrée	MB96000	CAT4836 SCX XXX X	48" (1219mm)	36" (914mm)	17-3/16" (437mm)	24" (610mm)	50 lbs. (23kg)
	MB71000	CAT4848 SCX XXX X	48" (1219mm)	48" (1219mm)	23-3/16" (589mm)	24" (610mm)	55 lbs. (25kg)
	MB92000	CAT6042 SCX XXX X	60" (1524mm)	42" (1067mm)	20-3/16" (513mm)	30" (762mm)	68 lbs. (31kg)
Évacuation à gauche/à droite	MB76000	CAT6030 SLX XXX X	60" (1524mm)	30" (762mm)	14-3/16" (360mm)	5-7/8" (149mm)	55 lbs. (25kg)
	MB80000	CAT6030 SRX XXX X					
	MB84000	CAT6032 SLX XXX X	60" (1524mm)	32" (813mm)	15-3/16" (386mm)	5-7/8" (149mm)	59 lbs. (27kg)
	MB88000	CAT6032 SRX XXX X					

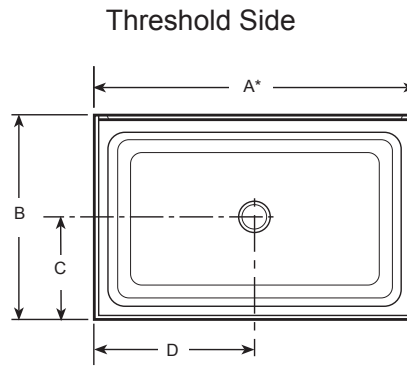
Les caractéristiques techniques du produit peuvent être modifiées sans préavis.

Remarque : il s'agit d'un produit de qualité professionnelle. Des connaissances relatives aux techniques de construction, à la plomberie et l'installation électrique conformes aux codes sont nécessaires à une installation adéquate et à la satisfaction de l'utilisateur. Nous vous recommandons d'obtenir les services d'un entrepreneur agréé pour effectuer l'installation des produits Jacuzzi Luxury Bath. Notre garantie ne couvre pas les problèmes causés par une mauvaise installation.

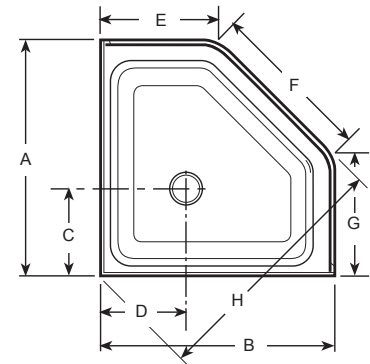
Caractéristiques des bases de douche Cayman^{MC} Tru-Level^{MC}



Square



Rectangulaire



Neo-Angle

*Ajoutez 0,125 po (3mm) pour connaître les dimensions de disposition des tuyaux.

Configuration du produit	Numéro de pièce de la base de douche	Code produit marketing (MPC)	Dimensions								Poids
			A	B	C	D	E	F	G	H	
Carrées/ évacuation centrale	S344000	CAY3636SCXXXX	36" (914mm)	36" (914mm)	17.50" (445mm)	18.00" (457mm)	-	-	-	-	24 lb (11kg)
	S348000	CAY4242SCXXXX	42" (1067mm)	42" (1067mm)	20.25" (514mm)	21.00" (533mm)	-	-	-	-	34 lb (15.4kg)
	S364000	CAY4848SCXXXX	48" (1219mm)	48" (1219mm)	23.25" (591mm)	24.00" (610mm)	-	-	-	-	43 lb (19.5kg)
Rectangulaires/ évacuation centrale	S356000	CAY4834SCXXXX	48" (1219mm)	34" (864mm)	16.50" (419mm)	24.00" (610mm)	-	-	-	-	30 lb (13.6kg)
	S368000	CAY6036SCXXXX	60" (1524mm)	36" (914mm)	17.50" (445mm)	30.00" (762mm)	-	-	-	-	43 lb (19.5kg)
	T228000	CAY6034SCXXXX	60" (1524mm)	34" (864mm)	16.50" (419mm)	30.00" (762mm)	-	-	-	-	39 lb (17.7kg)
	T232000	CAY4234SCXXXX	42" (1067mm)	34" (864mm)	16.50" (419mm)	21.00" (533mm)	-	-	-	-	27 lb (12.2kg)
	T354000	CAY3642SCXXXX	36" (914mm)	42" (1067mm)	20.25" (514mm)	18.00" (457mm)	-	-	-	-	28 lb (12.7kg)
	T362000	CAY4236SCXXXX	42" (1067mm)	36" (914mm)	17.50" (445mm)	21.00" (533mm)	-	-	-	-	28 lb (12.7kg)
	T366000	CAY4248SCXXXX	42" (1067mm)	48" (1219mm)	23.25" (591mm)	21.00" (533mm)	-	-	-	-	38 lb (17.2kg)
	T370000	CAY6042SCXXXX	60" (1524mm)	42" (1067mm)	20.25" (514mm)	30.00" (762mm)	-	-	-	-	50 lb (22.7kg)
	T374000	CAY4832SCXXXX	48" (1219mm)	32" (813mm)	15.00" (381mm)	24.00" (610mm)	-	-	-	-	29 lb (13.2kg)
Néo-angle/ évacuation centrale	T358000	CAY3838SNXXXX	38" (965mm)	38" (965mm)	14.50" (368mm)	14.50" (368mm)	17.38" (441mm)	29.00" (737mm)	17.38" (441mm)	39.00" (991mm)	23 lb (10.4kg)
	S352000	CAY4242SNXXXX	42" (1067mm)	42" (1067mm)	16.06" (408mm)	16.06" (408mm)	21.50" (546mm)	29.00" (737mm)	21.50" (546mm)	45.00" (1143mm)	29 lb (13.2kg)
	S360000	CAY4848SNXXXX	48" (1219mm)	48" (1219mm)	16.25" (413mm)	16.25" (413mm)	27.50" (699mm)	29.00" (737mm)	27.50" (699mm)	53.00" (1346mm)	39 lb (17.7kg)

Les caractéristiques techniques du produit peuvent être modifiées sans préavis.

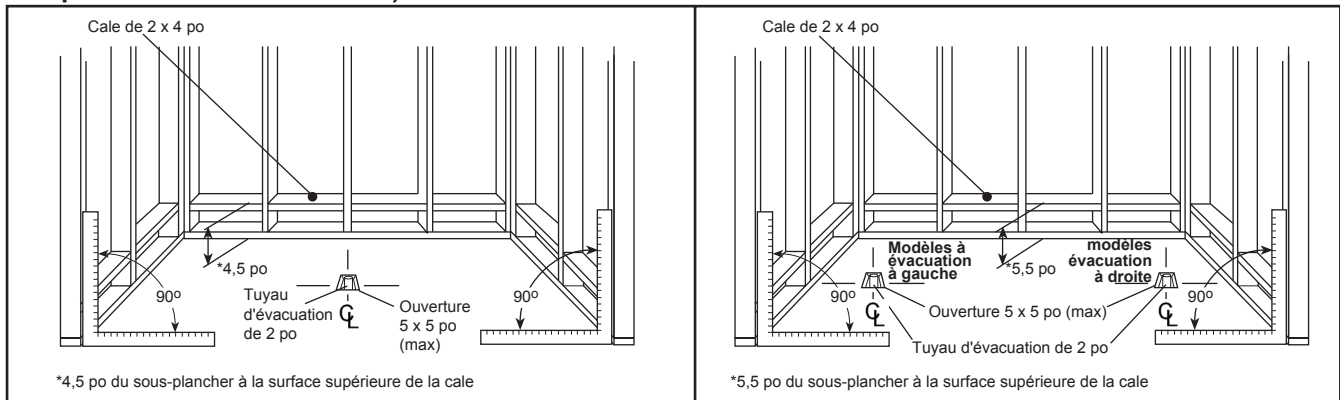
Remarque : il s'agit d'un produit de qualité professionnelle. Des connaissances relatives aux techniques de construction, à la plomberie et l'installation électrique conformes aux codes sont nécessaires à une installation adéquate et à la satisfaction de l'utilisateur. Nous vous recommandons d'obtenir les services d'un entrepreneur agréé pour effectuer l'installation des produits Jacuzzi Luxury Bath. Notre garantie ne couvre pas les problèmes causés par une mauvaise installation.

Consignes d'installation pour les bases de douche Catalina^{MC}

- 1 Retirez la base de douche de son emballage. Ne détruisez pas le carton de livraison tant que vous n'avez pas vérifié le bon état du produit. Si l'inspection révèle des dommages ou des défauts dans le fini de la douche, n'installez pas la base de douche. La responsabilité de Jacuzzi Luxury Bath quant aux dommages causés par l'expédition prend fin au moment de la livraison au transporteur de produits en bon état. Communiquez avec le transporteur pour toute réclamation pour des dommages. Les réclamations relatives à des dommages ou défauts faites après l'installation ne sont pas couvertes par la garantie. Jacuzzi n'est pas responsable des défauts ou dommages qui auraient pu être découverts, réparés ou évités en effectuant cette inspection et procédure d'essai.
- 2 Planifiez l'installation par rapport aux surfaces des murs finis. Prenez en compte les dimensions de la base de douche et de la porte. Installez les pièces de garniture en option après toutes les autres opérations d'installation.
- 3 Prévoyez une ouverture d'au moins 5 x 5 po dans le sous-plancher. Cette ouverture doit se situer au niveau des conduites centrales (G) du trou d'évacuation de la base. Référez-vous au tableau des produits. L'ouverture est destinée à accueillir un tuyau d'évacuation de 2 po. Ce dernier doit se situer entre 0,25 po et 0,5 po de hauteur par rapport à la surface du sous-plancher. Référez-vous à la Figure 1. Si le sous-plancher est de niveau égal, il n'y a pas d'autre préparation à faire. Vous pouvez installer la base. Si le sous-plancher n'est pas de niveau égal, nivelez la base de douche en étalant du composé de nivellement, mortier, plâtre ou mousse structurale à expansion minimale avec une densité d'au moins 5 livres par pied cube (lb/pi³).

REMARQUE : le composé doit entrer en contact avec toute la surface inférieure des pieds de la base. La base ne doit pas être soutenue par sa bride. Les deux côtés d'un joint ou d'une épissure d'un sous-plancher doivent être au même niveau.

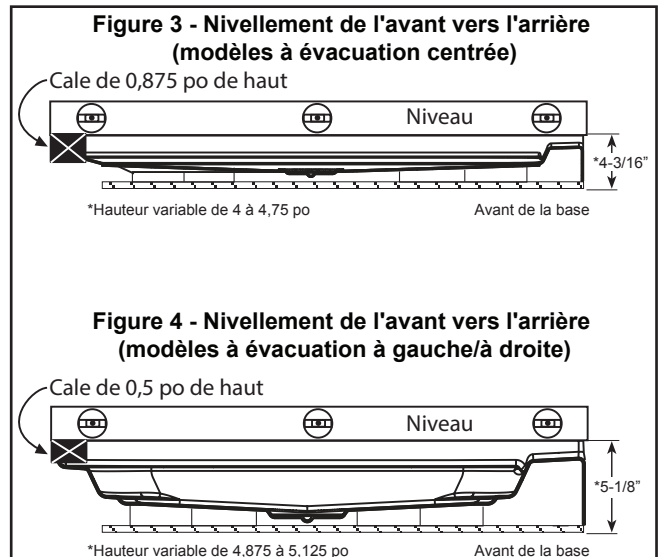
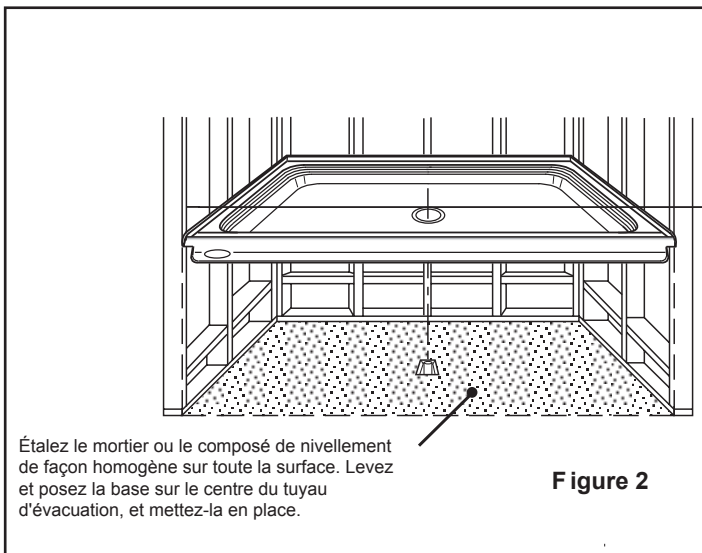
Figure 1. Disposition préliminaire des tuyaux (référez-vous au tableau des produits pour connaître l'emplacement de l'évacuation)



Évacuation centrée

Évacuation à gauche/à droite

- 4 Placez et installez la base sur l'évacuation. Référez-vous à la Figure 2. Positionnez le raccord d'évacuation sur le centre du tuyau d'évacuation, et posez délicatement la base de douche. Appuyez fermement jusqu'à ce que la base soit bien en place. Vérifiez le niveau de la base dans deux directions. Une cale élevée est nécessaire à l'arrière de la base pour le nivellement de l'avant vers l'arrière (référez-vous aux Figures 3 et 4). Allez à la page 31 pour poursuivre l'installation.

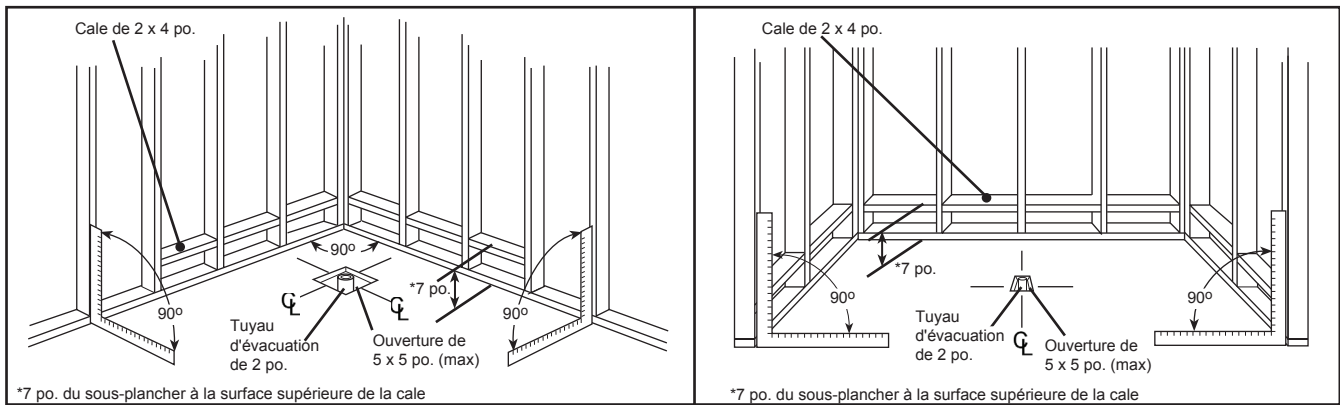


Consignes d'installation pour les bases de douche Cayman^{MC} Tru-Level^{MC}

- 1 La base de douche ne dispose pas d'une évacuation de douche, un élément nécessaire pour que l'installation soit complète. Retirez la base de douche de son emballage. Ne détruisez pas le carton de livraison tant que vous n'avez pas vérifié le bon état du produit. Si l'inspection révèle des dommages ou des défauts dans le fini de la douche, n'installez pas la base de douche. La responsabilité de Jacuzzi Luxury Bath quant aux dommages causés par l'expédition prend fin au moment de la livraison au transporteur de produits en bon état. Communiquez avec le transporteur pour toute réclamation pour des dommages. Les dommages ou défauts dont la réclamation a été effectuée après l'installation ne sont pas couverts par la garantie. Jacuzzi n'est pas responsable des défauts ou dommages qui auraient pu être découverts, réparés ou évités en suivant cette procédure d'inspection et d'essai.
- 2 Planifiez l'installation par rapport aux surfaces des murs finis. Prenez en compte les dimensions de la base de douche et de la cabine. Installez les pièces de garniture en option après toutes les autres opérations d'installation.
- 3 Prévoyez une ouverture d'au moins 5 x 5 po. dans le sous-plancher. Cette ouverture doit se situer au niveau des conduites centrales (C) du trou d'évacuation de la base. Référez-vous au tableau des produits. L'ouverture est destinée à accueillir un tuyau d'évacuation de 2 po. Ce dernier doit se trouver à une hauteur comprise entre 0,25 po. et 0,5 po. par rapport à la surface du sous-plancher (voir la Figure 5). Si le sous-plancher est de niveau égal, il n'y a pas d'autre préparation à faire. Vous pouvez installer la base. Si le sous-plancher n'est pas de niveau égal, nivelez la base de douche en étalant du composé de nivellement, du mortier, du plâtre ou de la mousse structurelle à expansion minimale avec une densité d'au moins 5 livres par pied cube (lb/pi³).

REMARQUE : le composé doit entrer en contact avec toute la surface inférieure des pieds de la base. La base ne doit pas être soutenue par sa bride. Les deux côtés d'un joint ou d'une épissure d'un sous-plancher doivent être au même niveau.

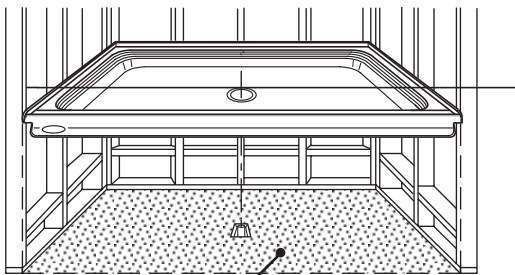
Figure 5. Disposition préliminaire des tuyaux (référez-vous au tableau des produits pour connaître l'emplacement de l'évacuation)



Néo-angle

Carrée ou rectangulaire

- 4 Placez et installez la base sur l'évacuation (voir la Figure 6). Positionnez le raccord d'évacuation sur le centre du tuyau d'évacuation, et posez délicatement la base de douche. Appuyez fermement jusqu'à ce que la base soit bien en place. Vérifiez le niveau de la base dans deux directions. Une cale élevée de 0,25 po. est nécessaire à l'arrière de la base pour le nivellement de l'avant vers l'arrière (voir la Figure 7).



Étalez le mortier ou le composé de nivellement de façon homogène sur toute la surface. Levez et posez la base sur le centre du tuyau d'évacuation, et mettez-la en place.

Figure 6

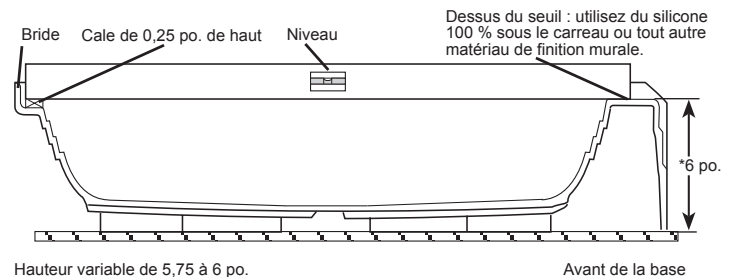


Figure 7. Nivellement de l'avant vers l'arrière

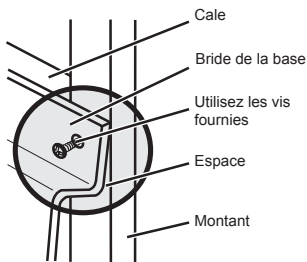
Consignes d'installation - Suite (tous les modèles)

⚠ MISE EN GARDE Ne levez pas un coin pour niveler la base. Le mortier risquerait de ne plus être en contact.

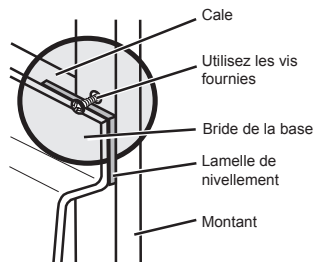
5 Fixez la bride de la base de douche au poteau d'ossature murale et bloquez-la à l'aide des vis en acier inoxydable fournies. Utilisez au moins trois vis pour chaque partie de la bride (voir la Figure 8). S'il y a un espace entre la bride de la base et le poteau ou la cale, une cale doit être utilisée pour éviter que la bride ne se déforme ou ne se fissure.

⚠ MISE EN GARDE Utilisez les vis en acier inoxydable fournies.

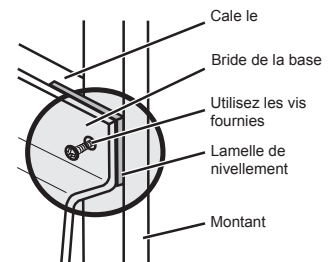
Figure 8



INCORRECT



INCORRECT



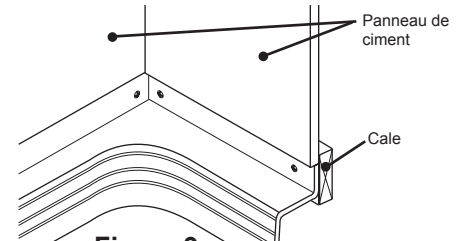
CORRECT

IMPORTANT S'il y a un espace entre la bride de la base et le poteau ou la cale, des cales doivent être utilisées.

6 Serrez l'évacuation conformément aux instructions fournies avec la trousse d'évacuation. Une fois l'évacuation complètement installée, vérifiez que l'eau s'évacue correctement.

⚠ MISE EN GARDE Si la base de douche ne s'évacue pas correctement, rectifiez le problème avant de continuer l'installation. L'installateur est responsable de l'étanchéité de l'installation, car toute fuite de l'évacuation est exclue de la garantie. Jacuzzi n'est pas responsable des frais encourus pour la réinstallation.

7 Remettez en place le tamis si celui-ci est inclus dans votre trousse d'évacuation, puis recouvrez le trou d'évacuation avec du ruban pour que le matériau de finition ne puisse pas y entrer. Placez un panneau de ciment ou équivalent au-dessus de la bride de la base de douche et fixez-le au poteau d'ossature murale (voir la Figure 9).



8 Remettez en place le tamis si celui-ci est inclus dans votre trousse d'évacuation, puis recouvrez le trou d'évacuation avec du ruban pour que le matériau de finition ne puisse pas y entrer. Placez un panneau de ciment ou équivalent au-dessus de la bride de la base de douche et fixez-le au poteau d'ossature murale (voir la Figure 9).

Figure 10

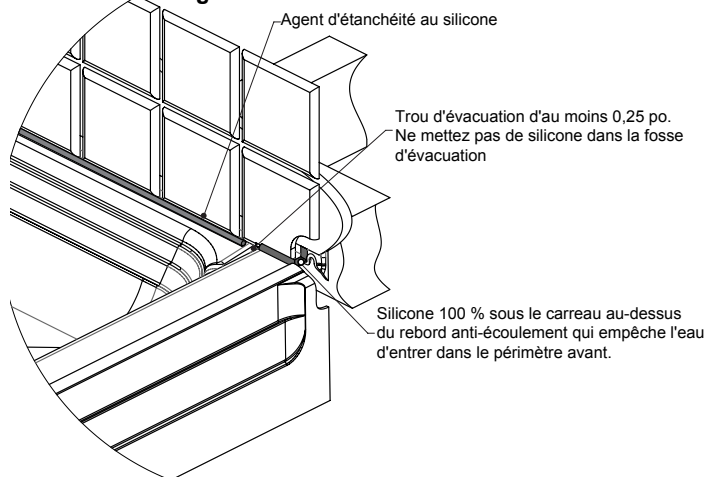
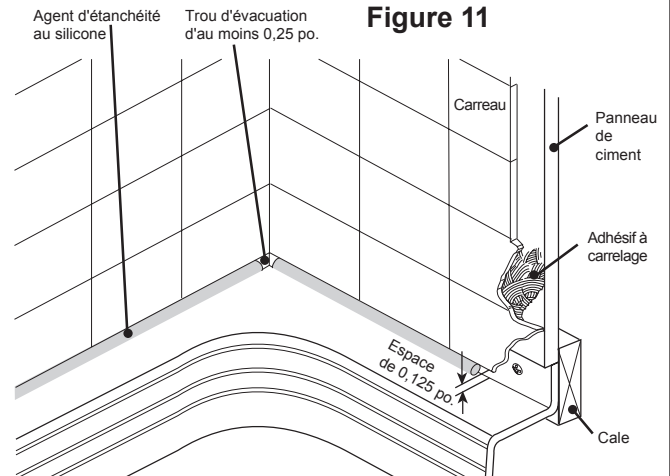


Figure 11

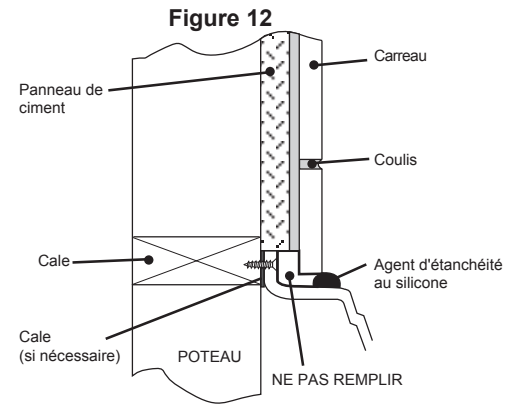


Procédures d'installation - Suite (tous les modèles)

MISE EN GARDE

Les trous d'évacuation sont nécessaires pour évacuer les fuites par l'intermédiaire d'un coulis à carreaux non scellé.

- 9 Le remplissage de la zone « NE PAS REMPLIR » empêchera l'humidité de refluer vers la base par l'intermédiaire des trous d'évacuation (voir la Figure 12). Cette humidité est due à l'eau fuyant à travers le coulis à carreaux. L'étanchéification du coulis à carreaux permettra d'éviter cette fuite.



Nettoyage après installation

- La finition acrylique apportera une élégance durable si l'entretien est correctement effectué. Pour ne pas ternir et rayer la finition, n'utilisez jamais de nettoyants abrasifs ou de produits chimiques puissants. Un détergent liquide doux et de l'eau chaude suffisent pour nettoyer les surfaces sales.
- Retirez le plâtre renversé au moyen d'une lame en bois ou en plastique. Les outils en métal risquent de rayer la surface. Les taches laissées par le plâtre ou le coulis peuvent être éliminées en les frottant légèrement avec un détergent doux versé sur un chiffon ou une éponge humide.
- Les petites griffes qui ne pénètrent pas le fini en couleur peuvent être éliminées en effectuant un ponçage léger avec un papier de verre mouillé/sec de 600 grains. Pour restaurer le fini brillant, utilisez un composé spécial tel que Meguiar's M10 Mirror Glaze. Si ce produit n'est pas disponible, utilisez une pâte à polir automobile suivie de l'application d'une cire automobile en pâte.
- Les rayures et les stries profondes qui pénètrent la surface acrylique risquent de nécessiter une restauration. Renseignez-vous sur les instructions spéciales auprès de votre revendeur Jacuzzi Luxury Bath.

Français

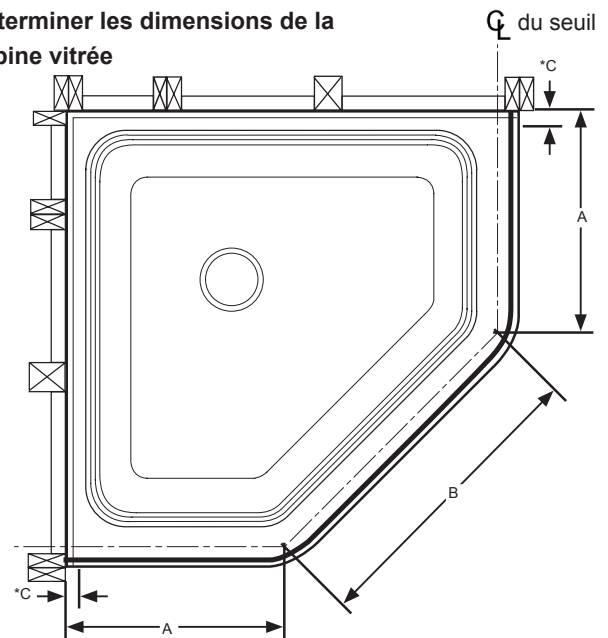
Tableau des dimensions de disposition des tuyaux (néo-angle uniquement)

*C représente la dimension entre le poteau d'ossature murale et l'avant des matériaux de finition utilisés dans l'installation de la douche. Si des contours Jacuzzi Luxury Bath sont utilisés, soustrayez 1,375 po. de la dimension A pour obtenir les dimensions de la cabine vitrée. Si d'autres matériaux sont utilisés, soustrayez leur épaisseur de la dimension A.

POUR LES BASES DE DOUCHE CARRÉES ET RECTANGULAIRES : si des contours Jacuzzi Luxury Bath sont utilisés, soustrayez 1,375 po. du poteau mural de chaque extrémité pour obtenir les dimensions de la cabine vitrée (voir le tableau et l'illustration en première page). Si d'autres matériaux sont utilisés, soustrayez leur épaisseur du poteau mural de chaque extrémité.

Modèle	A	B	C
3838N	16-3/4 po.	28 po.	1-3/8 po.
4242N	20-3/4 po.	27-3/8 po.	1-3/8 po.
4848N	26-3/4 po.	27-1/2 po.	1-3/8 po.

Déterminer les dimensions de la cabine vitrée



Les caractéristiques techniques sont sujettes à modification sans préavis

Jacuzzi Luxury Bath a obtenu les classifications de code (normes) applicables habituellement offertes à l'échelle nationale pour les produits de ce type. L'installateur/le propriétaire doivent déterminer la conformité au code local précis avant d'installer le produit. Jacuzzi Luxury Bath n'effectue aucune représentation ou garantie relatives à la conformité au code et elle ne sera pas responsable de cette dernière.

Instructions d'installation et de retrait du couvercle d'évacuation Catalina^{MC}

Le couvercle d'évacuation Catalina^{MC} est conçu pour pouvoir être posé de façon stable sur l'évacuation encastrée, comme illustré par la Figure 13.

Installation du couvercle d'évacuation

Placez le couvercle d'évacuation sur le haut de l'espace d'évacuation encastré de la base de douche. Assurez-vous que les quatre pattes encliquetables du couvercle d'évacuation sont alignées avec les quatre fiches de la grille, comme illustré dans la Figure 14A, avant d'appuyer dessus pour finir la mise en place.

REMARQUE : il est indispensable d'aligner les fiches de la grille avec les pattes encliquetables du couvercle d'évacuation avant d'appuyer dessus comme illustré dans la Figure 14B. Les jambes sont conçus pour se adapter dans le jacuzzi crépine MB28827 (inclus dans la douche achat de pan).

Retrait du couvercle d'évacuation

Tirez délicatement le couvercle d'évacuation vers le haut à l'aide d'un outil non abrasif, comme une spatule en plastique (Figure 15). N'UTILISEZ PAS un outil abrasif ou un outil aux bords coupants, quel qu'il soit!

REMARQUE : le couvercle d'évacuation est composé de matériaux fragiles, et en cas de chute accidentelle.

RISQUE DE BLESSURE ACCIDENTELLE! Ne laissez pas les enfants utiliser cette unité à moins de les surveiller de près en permanence. Cet équipement est exclusivement prévu pour une utilisation à l'intérieur.

Instructions d'entretien et de nettoyage du couvercle d'évacuation

Les couvercles d'évacuation de Jacuzzi Luxury Bath sont fabriqués à partir de matériaux durables et non poreux, qui, lorsqu'ils sont correctement entretenus et nettoyés, résistent à l'accumulation de saleté et aux tâches dans une large mesure.

Afin d'entretenir correctement votre unité, veuillez suivre ces étapes simples :

1. Commencez par nettoyer avec un produit vaisselle doux et de l'eau chaude; puis, essuyez avec un chiffon doux légèrement humide pour éliminer les résidus de produit nettoyant.
2. Pour les taches plus tenaces comme de la graisse, de l'huile, de la peinture ou de l'encre, appliquez de l'alcool à friction sur la zone affectée; puis, essuyez avec un chiffon propre et sec.
3. N'utilisez pas d'agents nettoyants abrasifs, de solvants, de produits chimiques nocifs ou de produits détachants à la chaux. Ils peuvent endommager le fini et annuler la garantie.
4. N'UTILISEZ PAS de chiffons ou d'éponges à récurer.
5. N'UTILISEZ PAS de lames de rasoir ou tout autre objet coupant qui pourrait abîmer la surface.
6. N'UTILISEZ PAS de produits pour le bain issus du marché secondaire et contenant du colorant.
7. Si vous ne savez si ce produit conviendrait à votre unité, commencez par appliquer une très petite quantité du produit sur une partie peu visible avant de l'utiliser sur une surface visible.

Pour les modèles Solid Surface Matte Finish (respectez ces directives supplémentaires). Pour les taches les plus tenaces, Jacuzzi Luxury Bath recommande l'utilisation des produits et du matériel de nettoyage suivants :

- Mr. Clean Magic Eraser
- Soft Scrub, Bon Ami or Gray Scotch Brite Pads (uniquement)
- **MISE EN GARDE :** N'UTILISEZ PAS Green Scotch Brite Pads pour quelque raison que ce soit, car ce produit endommagera la surface de l'unité.

Figure 13

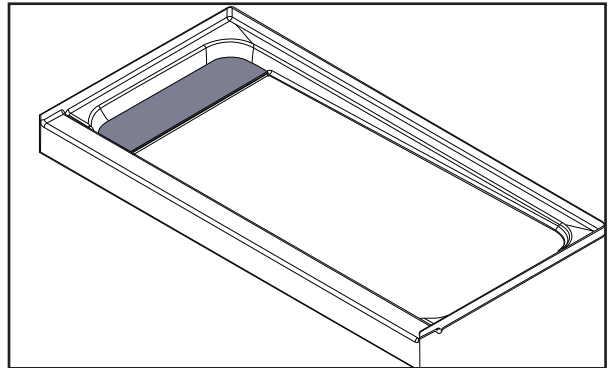


Figure 14A

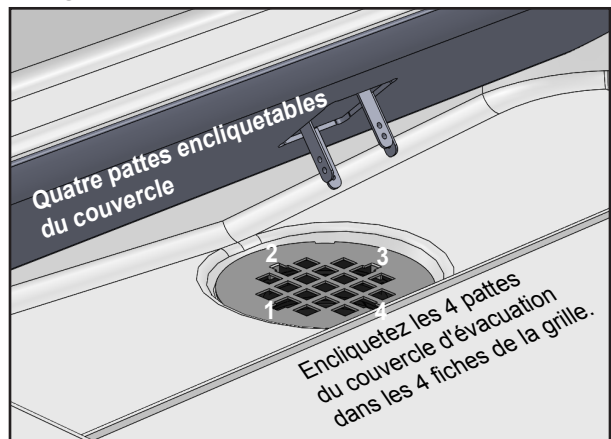


Figure 14B

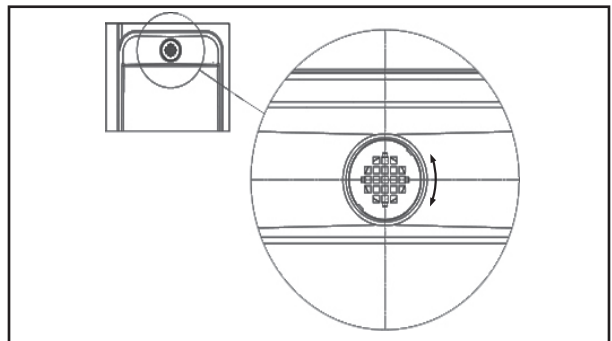
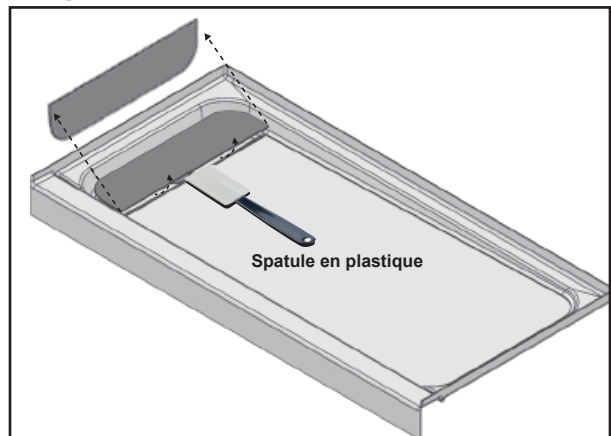


Figure 15





Remarques:

Français

Garantie limitée de Jacuzzi Luxury Bath Système de douche

COUVERTURE DE LA GARANTIE

Jacuzzi Luxury Bath (« l'Entreprise ») offre la garantie limitée expresse suivante à l'acheteur original d'un système de douche Jacuzzi Luxury Bath (« l'unité ») qui a acheté ce produit pour un usage personnel ou unifamilial (« l'utilisateur »). L'Entreprise réparera ou remplacera, à son entière discrétion, l'unité ou son équipement conformément aux conditions et modalités suivantes. Les unités réservées à un usage commercial ne sont pas garanties.

GARANTIE LIMITÉE D'UN AN SUR LES SYSTÈMES DE DOUCHE

Notre garantie limitée sur les systèmes de douche est d'un (1) an. Notre garantie couvre les défauts de matériaux ou de fabrication que peuvent présenter l'unité et les composants installés en usine (pompe ou moteur par ex.). La garantie entre en vigueur à la date d'achat de l'unité par l'utilisateur.

GARANTIE LIMITÉE DE QUATRE-VINGT-DIX JOURS (PIÈCES SEULEMENT) SUR LES OPTIONS ET LES ACCESSOIRES

Notre garantie limitée sur les options et les accessoires est de quatre-vingt-dix (90) jours pour les pièces seulement. Notre garantie couvre les défauts de matériaux ou de fabrication que peuvent présenter les options et accessoires fabriqués par l'Entreprise (trousses de bec de remplissage, trousses de garniture ou jupes par ex.). La garantie entre en vigueur à la date d'achat de l'option ou de l'accessoire par l'utilisateur.

LIMITES DE LA GARANTIE

Notre garantie limitée ne couvre pas les défauts, les dommages ou les pannes causés par le transporteur, l'installateur, l'utilisateur ou d'autres personnes ou découlant, sans en exclure d'autres, de l'un ou l'autre des éléments suivants : la manipulation négligente (soulever l'unité par la plomberie, abraser le fini, etc.); les modifications de toute sorte pour quelque raison que ce soit (y compris les modifications effectuées pour satisfaire les codes locaux); une mauvaise installation (y compris toute installation non conforme aux directives et spécifications fournies avec l'unité); les connexions fournies par l'installateur de l'équipement; une mauvaise tension d'alimentation ou une modification électrique non autorisée; une mauvaise utilisation; un fonctionnement inadéquat ou l'absence d'une routine d'entretien appropriée; le fonctionnement de l'unité sans la quantité minimale d'eau précisée ou à une température d'eau inappropriée; l'utilisation de nettoyants abrasifs ou inappropriés ou les catastrophes naturelles, comme la foudre, les inondations, les tremblements de terre, etc.

En outre, L'ENTREPRISE NE SERA PAS RESPONSABLE DES DOMMAGES CONSÉCUTIFS OU INDIRECTS ou des pertes découlant de toute cause (par ex., dommages d'eau aux tapis, plafonds, perte d'utilisation, etc.), y compris de sa propre négligence; les dommages causés à, concernant ou découlant : de pièces plaquées lorsque des produits chimiques sont utilisés dans l'unité; de l'équipement en option non fabriqué par l'Entreprise, mais fourni par le dépositaire, l'installateur ou l'Entreprise; d'un usage antérieur de l'unité à titre de présentoir fonctionnel; ou de défauts qui auraient dû être découverts avant l'installation. Cette garantie limitée ne comprend pas : la main d'œuvre, le transport ou les autres frais encourus pour le retrait et/ou la réinstallation de l'unité originale et/ou l'installation d'une unité de rechange; les frais encourus pour obtenir l'accès pour effectuer la réparation; ou les dommages causés par la perte d'utilisation, y compris la perte de ventes, de profits ou d'avantages concurrentiels de toute sorte, quelles que soient les circonstances. Les unités réservées à un usage commercial ne sont pas garanties.

La garantie n'est valable qu'aux États-Unis d'Amérique et au Canada.

EXCLUSION DES GARANTIES IMPLICITES

LES GARANTIES IMPLICITES DE VALEUR MARCHANDE ET D'ADAPTATION À UN USAGE PARTICULIER SONT ENTIÈREMENT DÉCLINÉES OU DANS LA MESURE LA PLUS GRANDE PERMISE PAR LA LOI.

AVIS : cette garantie vous confère des droits légaux précis et vous pouvez aussi avoir d'autres droits qui varient d'une province à l'autre. Il n'y a pas de garanties qui s'appliquent aux produits Jacuzzi Luxury Bath à l'exception de ce qui est expressément indiqué aux présentes ou impliqué par les lois fédérales et provinciales en vigueur. L'Entreprise ne sera pas responsable des déclarations ou des représentations effectuées sous toute forme qui vont au-delà, qui sont plus vastes ou qui ne sont pas conformes à la documentation autorisée ou aux spécifications fournies par l'Entreprise.

Certaines provinces ne permettent pas les limites sur la durée des garanties limitées ou l'exclusion ou la limite des dommages consécutifs ou indirects; par conséquent, les limites précédentes peuvent ne pas s'appliquer à votre cas.

RETOUR DE LA CARTE DE GARANTIE

Pour que garantie entre en vigueur, la carte d'enregistrement de garantie préadressée ci-jointe DOIT être remplie par l'acheteur dans un délai de trente (30) jours à compter de l'achat et être envoyée par voie postale à Jacuzzi Luxury Bath.

Jacuzzi Luxury Bath Shower Base
E124000Y, juin 2013



Jacuzzi Luxury Bath
14525 Monte Vista Avenue
Chino, Californie 91710, États-Unis

RESPONSABILITÉS DES AUTRES

Il incombe à l'installateur ou à l'entrepreneur agissant au nom de l'utilisateur d'inspecter l'unité avant de l'installer. Celui-ci doit s'assurer que l'unité ne présente aucun défaut ou dommage. Des avis sont placés sur et dans l'unité ainsi que sur la boîte d'expédition avisant l'installateur de cette responsabilité. En cas de problème, l'unité ne doit pas être installée. L'Entreprise n'est pas responsable des pannes ou dommages qui auraient pu être découverts, réparés ou évités grâce à une inspection et un essai appropriés avant l'installation.

Le transporteur est responsable des dommages qui surviennent pendant le transport. L'utilisateur ou l'installateur DOIT ouvrir la boîte et vérifier l'état de l'unité au moment de la livraison. Si des dommages sont découverts, ils doivent être immédiatement signalés au vendeur et au transporteur par écrit et une inspection doit être demandée. Si le transporteur ne répond pas, vous devez le signaler au vendeur et au transporteur. Vos réclamations de transport doivent être présentées dans un court délai.

Il incombe à l'installateur, l'entrepreneur ou l'utilisateur de fournir un accès pour le service. L'Entreprise n'est pas responsable des frais encourus pour obtenir l'accès en cas de réparation. L'utilisateur sera responsable de tels frais et, le cas échéant, devra solliciter un recouvrement auprès de l'installateur.

L'installateur et/ou l'entrepreneur sont responsables des dommages survenant pendant l'installation, tandis que l'utilisateur est responsable des dommages survenant par la suite.

La défaillance d'un équipement en option relève de la responsabilité exclusive du fabricant de cet équipement. (Les options et accessoires fabriqués par l'Entreprise sont garantis pendant quatre-vingt-dix (90) jours à compter de la date d'achat originale pour les pièces seulement.)

Il incombe au distributeur ou au dépositaire de connaître les exigences relatives aux codes locaux et de les communiquer à l'entrepreneur qui effectuera l'installation et/ou à l'utilisateur au moment de l'achat. L'Entreprise n'est pas responsable des frais encourus pour modifier un produit pour se conformer à un code, comme les codes de construction de la ville, du comté ou de l'État aux États-Unis ou les codes municipaux ou provinciaux au Canada.

SERVICE DE GARANTIE

Pour la commodité des clients, l'entreprise conserve une liste de réparateurs indépendants qui effectuent les réparations requises en vertu de la garantie. Ces personnes ne sont pas des agents ou des représentants de l'Entreprise et ne peuvent pas lier l'Entreprise par leurs paroles ou leur comportement.

L'Entreprise fournit le service de garantie décrit ci-dessus lorsque les conditions suivantes sont respectées : la panne est de nature ou de type couvert par la garantie; l'utilisateur a informé l'agent de service agréé Jacuzzi Luxury Bath ou un représentant du service de la garantie de la nature du problème pendant la période de garantie; des preuves concluantes (une preuve d'achat ou d'installation par ex.) sont fournies par l'utilisateur, prouvant que la panne s'est produite ou a été découverte pendant la période de garantie; un réparateur indépendant autorisé ou un représentant de l'Entreprise a reçu l'autorisation d'inspecter l'unité pendant les heures normales de travail dans un délai raisonnable après la signalisation du problème par l'utilisateur.

Afin d'obtenir le service de garantie, consultez les pages jaunes pour trouver l'agent de service agréé Jacuzzi Luxury Bath le plus proche. Décrivez le problème et l'agent de service agréé inspectera l'unité et fournira le service de garantie demandé.

Si vous n'arrivez pas à contacter un agent de service agréé Jacuzzi Luxury Bath, appelez le numéro suivant ou écrivez à l'adresse suivante :

Jacuzzi Luxury Bath

14525 Monte Vista Avenue, Chino, Californie 91710, États-Unis

Appelez le : 800-288-4002

Pour obtenir un remplacement de garantie pour les composants installés en usine ou les options et les accessoires fournis par l'Entreprise et fabriqués et fournis par l'Entreprise, appelez le numéro indiqué ci-dessus ou écrivez à l'adresse mentionnée ci-dessus. Fournissez une description du problème et une preuve d'achat. On vous indiquera comment obtenir des pièces de rechange et où retourner, à vos frais, le(s) composant(s), l'option (les options) ou l'accessoire (les accessoires) défectueux.

Toutes les pièces ou l'équipement de rechange et les réparations seront garantis pendant la période de garantie restante de la(es) pièce(s) remplacée(s).

L'obligation de garantie de l'Entreprise sera acquittée au moment de la remise du remplacement ou de la réparation. Si le client refuse le remplacement ou la réparation, l'obligation de garantie de l'entreprise est alors terminée.

Garantie limitée
de quatre-vingt-dix jours
(pièces seulement)
sur les
accessoires

Garantie limitée
de quatre-vingt-dix jours
(pièces seulement)
sur les
accessoires

Pour que la garantie entre en vigueur, cette carte doit être remplie et retournée à l'adresse imprimée sur l'autre côté dans un délai de trente (30) jours à compter de la date d'achat.



Carte d'enregistrement
de garantie

Nom de l'acheteur _____
 Adresse de l'acheteur _____
 Ville _____ Province _____ Code postal _____
 Date d'achat _____
 Nom du modèle _____
 Numéro de série _____
 Nom du dépositaire _____
 Adresse du dépositaire _____

1. Comment avez-vous entendu parler de ce produit Jacuzzi?^{MD}
 Publicité Article dans une revue/journal
 Visite d'un détaillant/fournisseur de plomberie Pages jaunes
 Constructeur/plombier/rénovateur Décorateur/architecte
 Visite d'un détaillant/magasin de rénovation
 Bouche-à-oreille... Ami/parent/connaisance
 Autre (veuillez préciser) _____

2. Qui est la première personne vous ayant donné des renseignements précis au sujet de ce produit (caractéristiques, prix, etc.)?
 Détaillant/fournisseur de plomberie Constructeur Rénovateur
 Entrepreneur en plomberie Détaillant/magasin de rénovation
 Décorateur/architecte Déjà installé
 Style Service de garantie Caractéristiques du produit
 Nom de la marque Prix Hydrothérapie
 Revente de maison
 Autre _____

4. Qui a finalement choisi le produit que vous avez acheté?
 Moi Mon conjoint Moi et mon conjoint ensemble
 Autre membre de la famille Décorateur/architecte
 Constructeur/plombier/rénovateur Déjà installé
 5. Qui l'a installé?
 Déjà installé/Nouvelle résidence
 Entrepreneur/plombier lors de la rénovation
 Me/mon conjoint lors d'une rénovation
 Autre _____

6. Quelle est la valeur actuelle sur le marché de cette propriété?
 Veuillez évaluer en dollars _____ ans

7. Quel est l'âge du chef de ménage?
 1 à 2 ans 3 à 4 ans 5 à 6 ans 7 à 8 ans 9 à 10 ans

8. Quel(s) autre(s) fabricant(s) avez-vous envisagé(s)?
 Elier Lasco Price Plister Aqua Glass
 Kohler American Standard Sterling
 Autre (précisez) _____

9. Combien de temps avez-vous magasiné avant d'acheter cette unité?
 1 jour 2 à 6 mois
 2 à 7 jours 6 mois à 1 an
 1 à 2 semaines 1 à 2 ans
 2 à 4 semaines 4+ ans
 1 à 2 mois

10. Depuis combien de temps environ habitez-vous dans cette résidence?
 Jusqu'à 24 999 \$ 50 000 à 74 999 \$
 25 000 à 29 999 \$ 75 000 à 99 999 \$
 30 000 à 39 999 \$ 100 000 à 149 999 \$
 40 000 à 49 999 \$ 150 000 \$ et plus

2. Comment a été votre processus d'achat?
 Très facile Facile Difficile Très difficile