

LA 65 Specifications



LA 65:

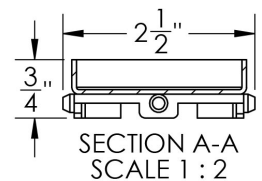
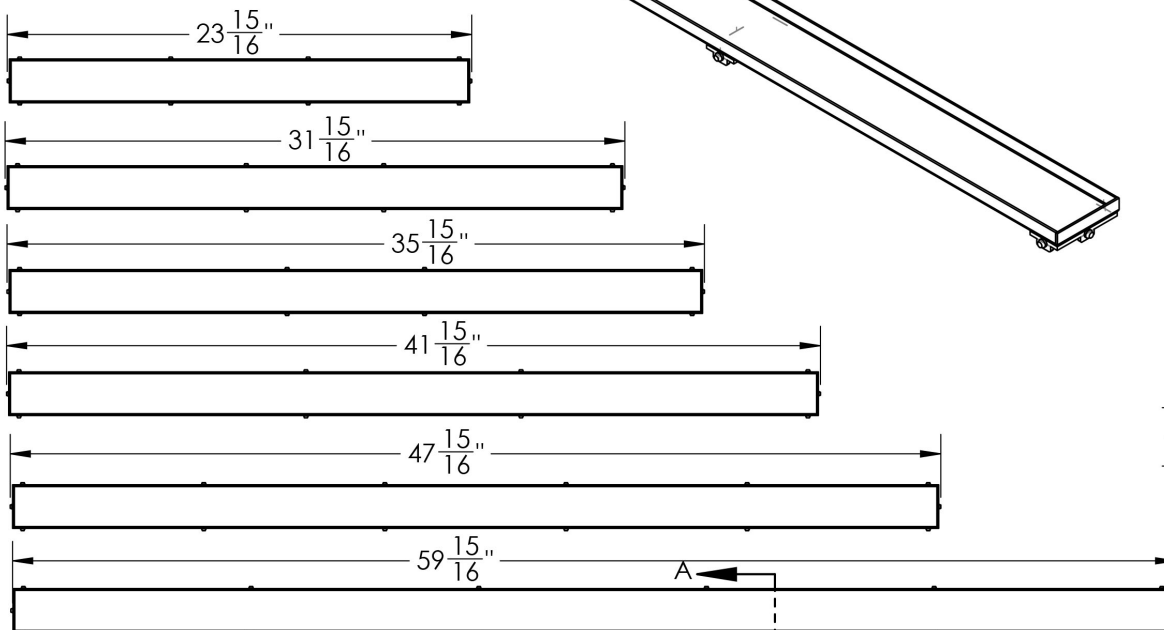
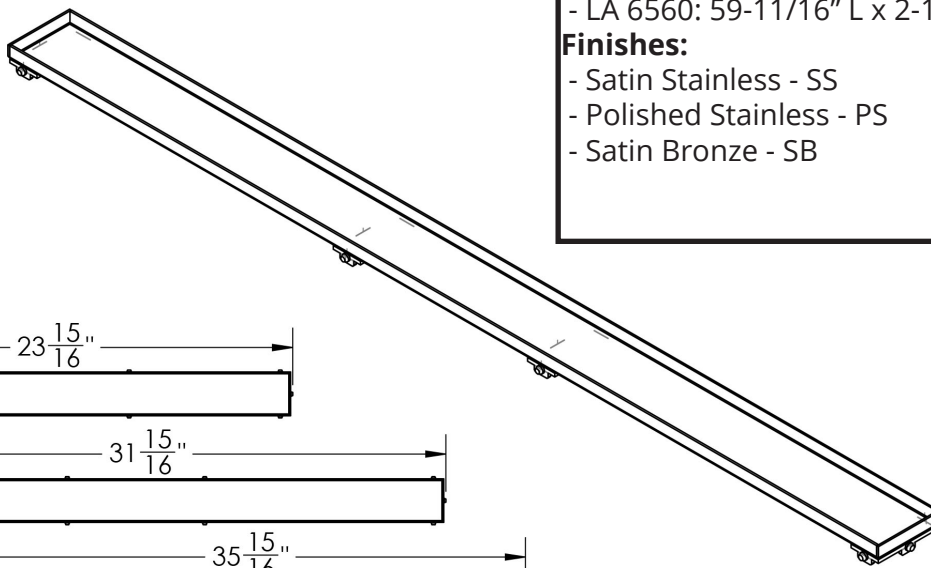
- Tile Insert Frame For FFTIF 65, FTF 65
- 16 gauge, 304 stainless steel
- Accepts flooring material up to 3/8" in thickness

Models (Overall dimension):

- LA 6524: 23-11/16" L x 2-1/2" W x 3/4" H
- LA 6532: 31-11/16" L x 2-1/2" W x 3/4" H
- LA 6536: 35-11/16" L x 2-1/2" W x 3/4" H
- LA 6542: 41-11/16" L x 2-1/2" W x 3/4" H
- LA 6548: 47-11/16" L x 2-1/2" W x 3/4" H
- LA 6560: 59-11/16" L x 2-1/2" W x 3/4" H

Finishes:

- Satin Stainless - SS
- Polished Stainless - PS
- Satin Bronze - SB



Infinity Drain

145 Dixon Avenue
Amityville, 11701
Phone: 516.767.6786
Fax: 516.740.3066
www.infinitydrain.com



NOTE: Installer must verify all rough-in dimensions prior to installation and consult local and national codes. Conformity and compliance to local and national codes are

FM239-08-17