

STANDARD MAINTENANCE AND TROUBLESHOOTING

REPLACING THE CARTRIDGE

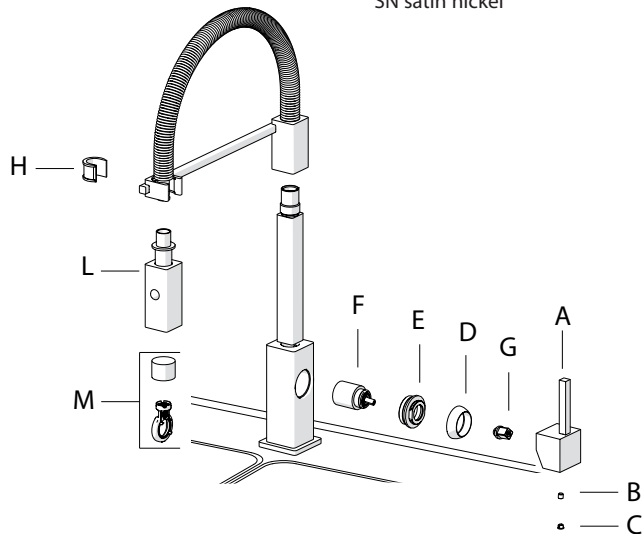
1. Shut off the water supply to the faucet.
2. Turn on the faucet briefly to relieve any pressure inside the faucet.
3. Move the faucet handle to the "OFF" position.
4. Remove indicator cap C from the lever handle.
5. Remove the screw B using an allen key.
6. Pull the lever handle A from the faucet body .
7. Unscrew the cap D.
8. Unscrew the cartridge lock nut E.
9. Lift ceramic disk cartridge F from the body and replace it with new cartridge. Ensure the two lugs on bottom of the cartridge sit properly in the allocated holes at the base of the body.
10. Re-assemble faucet in reverse order.
11. Test for leakage.

GENERAL MAINTENANCE

Clean aerator periodically for any buildup .
Do not use harsh detergents, solvents, chemical agents, metallic sponges, etc. that could harm the surface and damage the finish.
Clean only with a soft sponge and soapy water.

SPARE / REPLACEMENT LIST

A+B+C+G.	Handle assembly	F2801CH	F2801SN
D.	Cap	F2802CH	F2802SN
E.	Lock nut	F2803	
F.	Cartridge	F2804	
H.	Support Insert	F2805	
L.	Spray head assembly	F2806CH	F2806SN
M.	Aerator with wrench	F2907	
		CH chrome	
		SN satin nickel	



LIMITED LIFETIME WARRANTY

Franke Consumer Products, Inc., Kitchen Systems Division extends the following warranty to the original purchaser of its faucets effective January 1, 2003.

All faucets installed in a private residence will carry a limited lifetime warranty on all mechanical parts to be free of manufacturing defects in material and workmanship under normal usage. All chrome finishes carry a limited lifetime warranty; all other finishes are warranted for five (5) years from the original date of purchase.

Marine and Outdoor Installation: Franke Consumer Products, Inc. faucets are NOT warranted for Marine and Outdoor installations.

This warranty applies only to the original owner, providing the product has been installed in accordance with our installation instructions, used as recommended and in a normal residential application. In the event of a warranty claim, the owner will be required to provide proof of purchase - save sales receipt. This warranty covers all components which make the product operational. Franke, at its option, may repair or replace the product or components necessary to restore the product to good working condition. Franke reserves the right to inspect the installation prior to the actual replacement of the product or component part. This warranty does not cover misuse or abuse, accidental damages, scuffs or scratches, improper installation, abnormal usage, negligence or damage caused by improper maintenance or cleaning. Normal wear of parts is excluded from the warranty. Damage caused by impurities or acts beyond our control are not covered. Any product or part which has been repaired or altered in any manner outside of Franke's factory, unless previously authorized in writing by Franke, will void warranty. **Any replacement excludes transportation and any labor re-installation costs.** This warranty does not allow recovery of incidental or consequential damages such as loss of use, delay, property damage or other consequential damage, and Franke accepts no liability for such damages.

The Franke warranty is limited to the above conditions and to the warranty period specified herein and is exclusive. Franke DISCLAIMS all other warranties, expressed or implied, including IMPLIED WARRANTIES OF MERCHANTABILITY AND/OR FITNESS FOR AS PARTICULAR PURPOSE. This warranty gives you specific legal rights that may vary from state to state.

Further information

For any further information about our products, about the installation of them or about the guarantee, please dial the number of the customer service:

Franke Kitchen Systems
800 Aviation Parkway
Smyrna, TN 37167, USA
Phone: 800-626-5771
Email: ks-customerservice.us@franke.com

INSTALLATION MANUAL

FF2800 - FF2880




KITCHEN
SYSTEMS

FRANKE

TECHNICAL DATA

Flow Rate	1.75 GPM at 45 PSI
Recommended Water Pressure	30-75 PSI
Max. Water Pressure	145 PSI
Recommended Hot Water Temp.	120°-140° F
Hole Size For Faucet	1 3/8"

 Certifies this faucet complies with ASME A112.18.1 / CSA B125.1 & NSF 61, NSF 372 and AB1953

NOTE:

Call us immediately if you see inconsistencies.

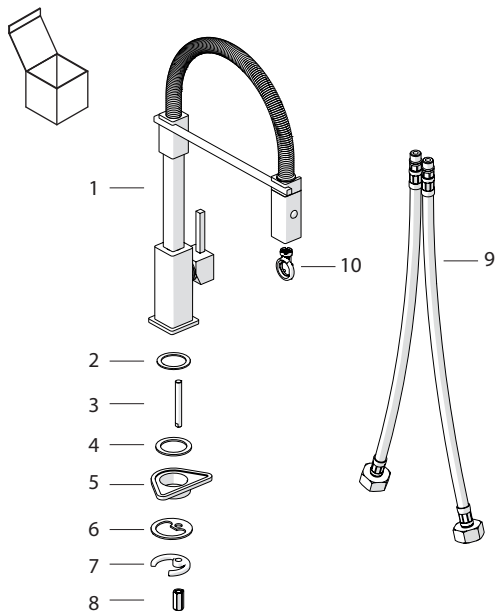
(1-800-626-5771)

or visit

www.frankeksd.com

info.fks@franke.com

CONTENTS IN BOX



- 1 Faucet assembly
- 2 Rubber washer
- 3 Mounting Shank
- 4 Rubber washer
- 5 Plastic flange
- 6 Shaped washer
- 7 Fixing plate
- 8 Fixing nut
- 9 Flexible supply hoses
- 10 Key for aerator

INSTALLATION INSTRUCTIONS

1. Remove all contents from the package and check for completeness.
2. Flush pipe work to ensure it is free from debris.
3. Turn off water supply.
4. Remove faucet and hardware from its protective packaging.
Faucet comes assembled.
5. Connect the 2 flexible supply hoses (9) - red hot water, blue cold water - to the body of the faucet (1).

6. Cut a mounting hole 1 3/8 diameter (35mm) in the desired position in counter top or sink (if one isn't available).

7. Place the rubber washer (2) over the hole.

ATTENTION: The washer should be sitting between the countertop and faucet base.

DO NOT use putty or other sealant at this location.

NOTES:

Solid surface installation: The countertop mounting surface needs to be flat and free of debris otherwise the faucet may not sit properly. For tile installations, avoid installing faucet near or on top of grout lines. This may cause a weak joint between the faucet and the counter and could cause leaks.

8. Install the mounting hardware to the base of the faucet body in the following order - rubber washer (4); plastic flange (5) shaped washer (6) and the fixing plate (7) as illustrated.

9. Tighten the body down installing Fixing Nut (8) to the Mounting Shank (3).

10. Connect the flexible supply hoses to the water supply in the house and turn on the faucet. Ensure everything is functioning properly and check/ test for leak.

