

FIRE-RATED COMPACT WASHING MACHINE OUTLET BOX

» 696R SERIES

OxBox ONE™

SPECIFICATION

Sioux Chief 696R series supply OxBox™ shall be used where necessary in residential or commercial plumbing supply/drainage systems. Access box can be secured directly to vertical stud or between studs using galvanized bracket. Arrester variations can be installed with arresters at any angle. Unit shall be available with ¼-turn valves. Metal support bracket shall install into top/bottom tracks of box. Outlet connections shall be generally ¾". Outlet connections should generally be provided with a test/tamper-resistant cap. Drain box shall have a ⅝" integral testable nipple on knockout. Every unit shall include a debris cover for protection during rough-in. Valves will be plated. Arrester option handles can be operated together (single throw) or independently.

MATERIALS

- Valve body:** brass¹
 - Valve shank:** no-lead brass¹/copper/PPSU/CPVC, 304SS grip ring
 - Outlet box/arrester clip:** ABS
 - Frame:** fire-rated ABS
 - Frame extension[†]:** fire-rated ABS
 - Arrester body:** stainless steel, C69300 NL brass¹
 - Bracket:** galvanized steel
 - Piston:** GFPP with EPDM o-rings
 - Fire-guard:** intumescent material
- [†]696-EX frame extension available separately. Use with 2 layers of drywall for 2-hour specifications

VALVE/ARRESTER WORKING LIMITS

- Max working temperature:** 200°F
- Max air/water testing & working pressure:** 150 PSIG

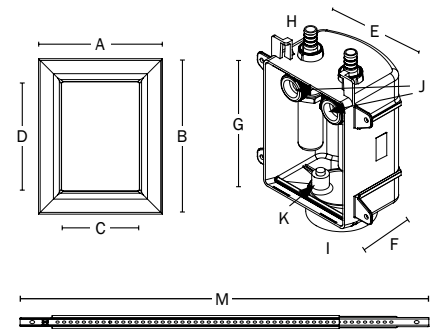
DIMENSIONS

- A:** Frame width 5¾"
- B:** Frame height 7¼"
- C:** Frame opening width 3⅝"
- D:** Frame opening height 5⅛"
- E:** Rough-in box width 4"
- F:** Rough-in box depth 3½"
- G:** Rough-in box height 5½"
- H:** Supply connection ½" nominal, 2" O.C.
- I:** Drain connection 2" DWV
- J:** Outlet connection ¾" male hose thread
- K:** Test nipple ⅝" O.D.
- M:** Bracket length 18"

ITEM # SUBMITTED	_____
JOB NAME	_____
LOCATION	_____
ENGINEER	_____
CONTRACTOR	_____
PO#	_____ TAG _____



696RG2413WF



CERTIFICATIONS/APPROVALS

Box and valves are IAPMO listed
 Conforms to IPC
 Listed by Warnock Hersey to meet:
 ASTM E-814, CAN/ULC S115
 2 hours (F), 31 minutes (T) for 2-hour design
 1 hour (F), 31 minutes (T) for 1-hour design
 ASTM E-119, UL 1479
 System design number:
 SC/WA120, W/N 14409
 Valves meet ASME A112.18.1
 ASSE 1010 Arresters*
 NSF-372 compliant¹



Create Item Number

696A24BCF

e.g. **696-RG2413MF:** Compact washing machine outlet with MIP/F.SWT valves, 2" drain connection and frame

VALVES **A**

- R** = Fire rated
- RG** = Fire rated, no lead valves¹

ARRESTER **B**

- 03** = No arrester
- 13** = With arrester*

SUPPLY CONNECTION **C**

- C** = ½" Male CPVC
- M** = ½" MIP/F.SWT
- P** = ½" Male sweat/press/push
- V** = ½" Viega PureFlow® PEX
- W** = ½" PEX F1960 Grip™
- X** = ½" PEX F1807/F2159 Crimp™

Available Separately:
 696-EX: Frame extension

¹Material is C69300 dezincification and SCC resistant, and is compliant with NSF-61 Annex G and California No Lead Plumbing Law

FIRE-RATED OXBOX

DESIGN SPECIFICATION

1. WALL CONSTRUCTION

- Wood or metal stud construction, max 100 in.² of penetrations per 100 ft² of wall.
- 16" or 24" on-center stud construction.
- Can be installed with a gap between front and back wall assemblies (UL Design # U341) (Figure 2).
- Single-layer 5/8" gypsum construction with 1-hour fire rating.
- Double-layer 5/8" gypsum construction with 2-hour fire rating. Frame extensions can be used.
- Boxes cannot be installed back to back.

2. PIPE/BOX SUPPORT

- Each outlet box shall be installed in a separate stud bay and attached to the stud (Figure 3 & 4). Fire rating does not apply to installations of two or more boxes in the same stud bay.
- Supplied support bar.
- Supply lines to be installed using ordinary methods.
- Drain line to be supported using ordinary methods.

3. PIPE MATERIAL

- 2" or larger metallic, PVC, or ABS DWV pipe.
- Metallic or plastic water supply pipe.

4. FIRESTOP DEVICE

Sioux Chief fire-rated OxBox uses fire-rated resin. Boxes have 4" x 4" intumescent adhesive pads factory installed on the back of boxes.

NOTE: Gaps up to 1/2" around box can be sealed with drywall plaster. Larger gaps require firestop sealant applied to opening spanning entire drywall depth

"over stud" installation

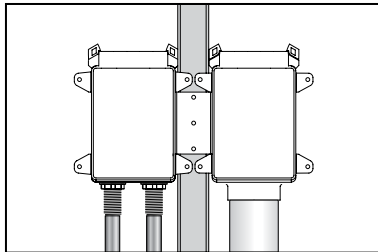


FIGURE 3

"separate stud bay" installation

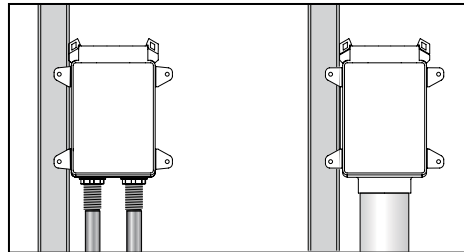


FIGURE 4

THE FIRE-RATED OXBOX IS CERTIFIED BY INTERTEK/WARNOCK HERSEY TO THE FOLLOWING FIRE RATING STANDARDS:

ASTM E-814

2 hours (F), 1½" hours (T)
for 2-hour design
1 hour (F), 31 mins (T)
for 1-hour design

ASTM E119

CAN/ULC S115

2 hours (F), 1½" hours (T)
for 2-hour design
1 hour (F), 31 mins (T)
for 1-hour design

UL 1479



FIGURE 1

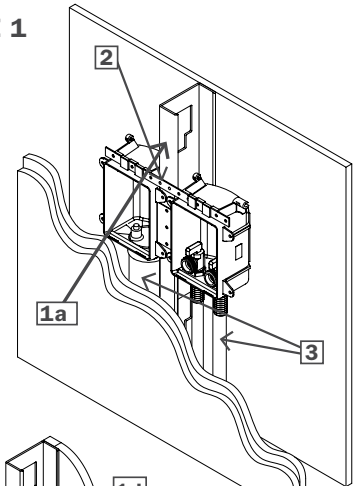
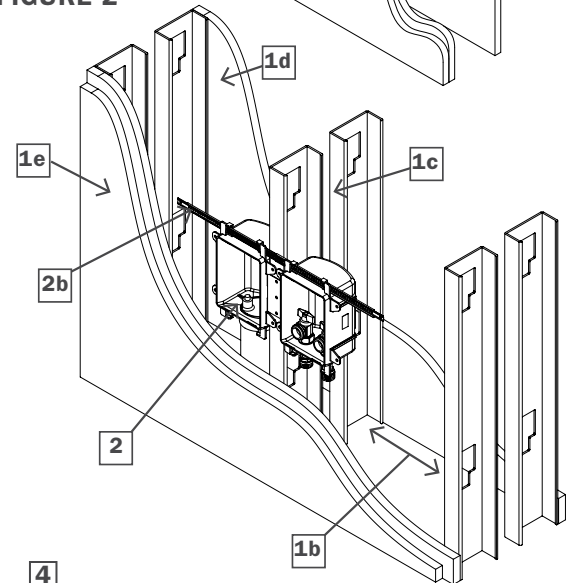


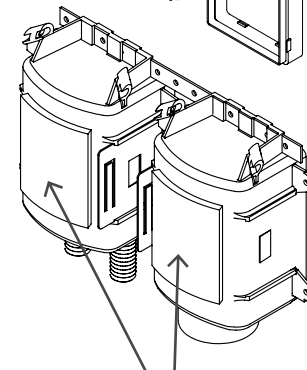
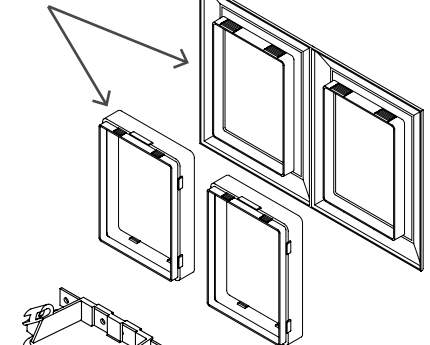
FIGURE 2



4

Fire-rated ABS

UL D.#U341



Intumescent pads