



BRADFORD WHITE[®]
W A T E R H E A T E R S

**LIGHT DUTY COMMERCIAL ELECTRIC
REPLACEMENT PARTS LIST**

**Light Duty Energy Saver
Upright and Lowboy Models**



Models Covered:

LE3(30,40,50)S*

LE1(20)L*

LE2(30,40,50)LN*

LE2(55,65,80)T*

LE2120T*

(*) Denotes Warranty Years

Includes Hydrojet[®]
Total Performance System

Effective: April, 2022
ECO 8514

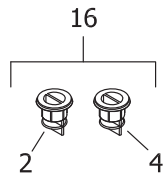
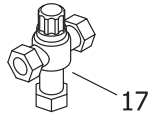
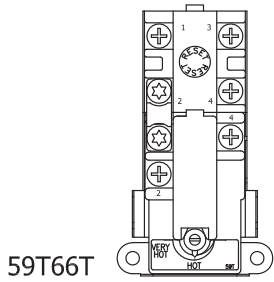
**NOTE: BOTH MODEL AND SERIAL
NUMBERS ARE REQUIRED FOR
ORDERING REPLACEMENT PARTS**

Dimensions and specifications
subject to change without notice.

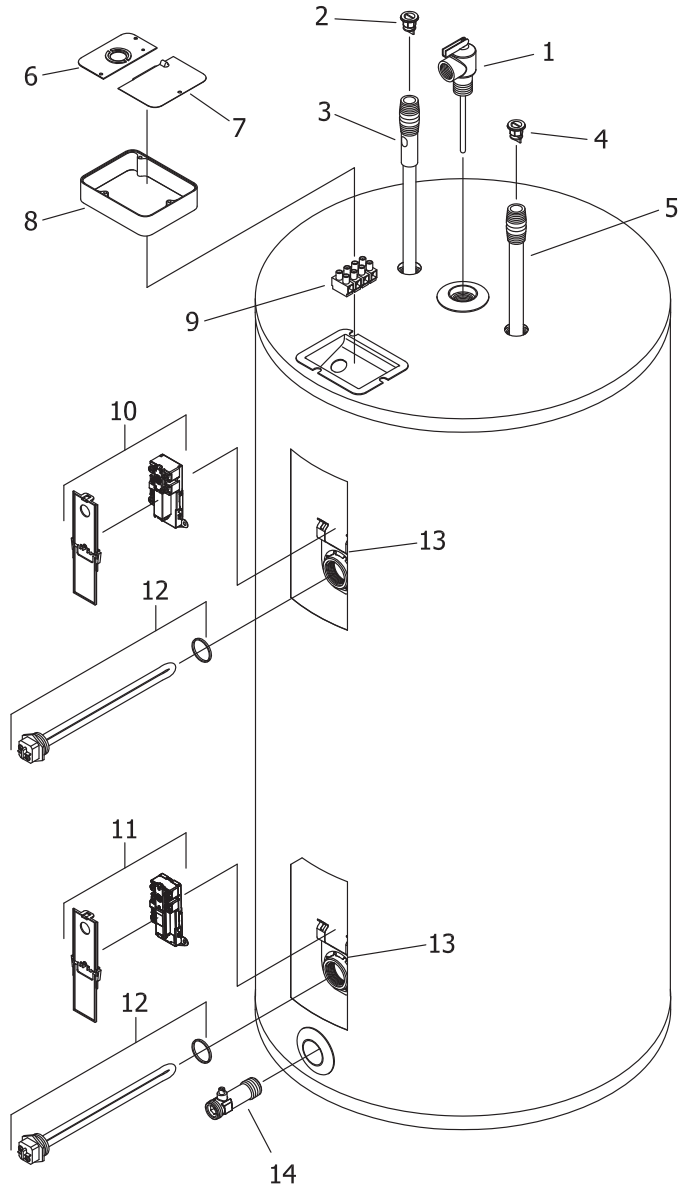
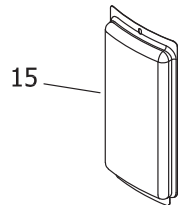
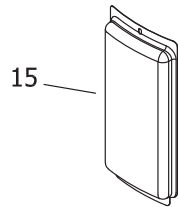
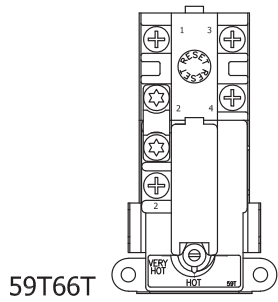


As required by the state of California Proposition 65.

TOP LOCATION
 ● Double element water heater.



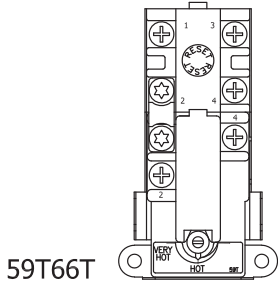
BOTTOM LOCATION
 ● Single element water heater.
 ● Double element water heater.



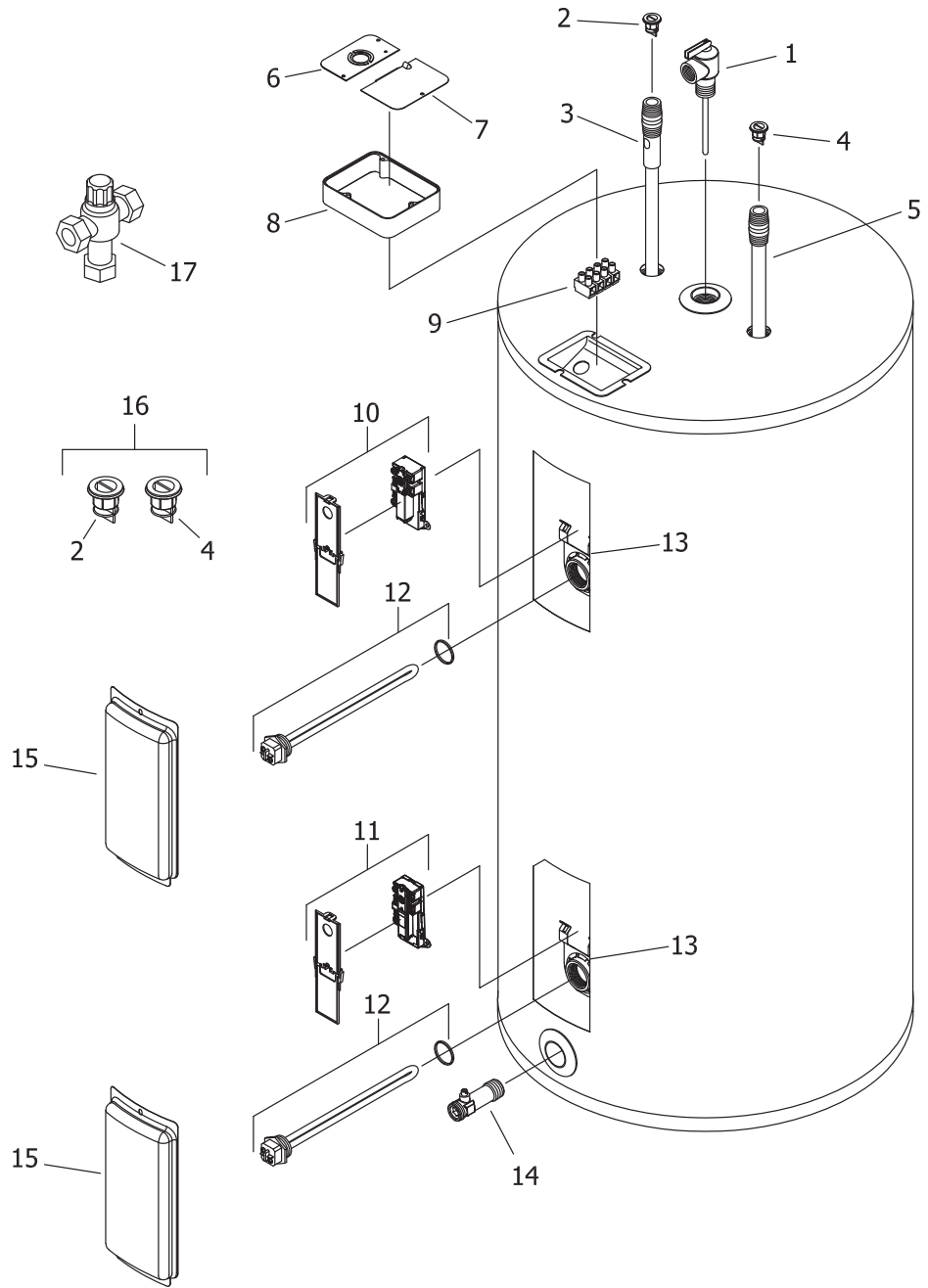
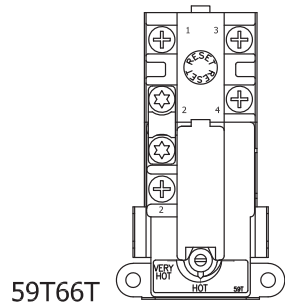
Item	Description	Model	Model	Model
		LE230S	LE240S	LE250S
1	T&P Relief Valve	230-40594-02	230-40594-02	230-40594-02
2	Heat Trap Insert (Outlet)	239-45167-00	239-45167-00	239-45167-00
3	Hot Water Outlet Anode Magnesium ♦#	224-47776-19	224-47776-19	224-47776-19
	Aluminum ♦#	224-32999-28	224-32999-28	224-32999-28
	A420 (Aluminum) ♦#	224-49560-08	224-49560-08	224-49560-08
4	Heat Trap Insert (Inlet)	239-51556-00	239-51556-00	239-51556-00
5	Cold Water Inlet Tube Pex ♦♦	229-51230-21	229-51230-21	229-51230-21
6	Cover Conduit/Ground	243-39451-00	243-39451-00	243-39451-00
7	Cover Junction box	243-39452-00	243-39452-00	243-39452-00
8	Junction Box Extender	239-40587-00	239-40587-00	239-40587-00
9	Terminal Block (4 pole)	243-49908-00	243-49908-00	243-49908-00
10	Upper Thermostat with High Limit (59T66T) & Protector ▲▲ ∩	415-51046-00	415-51046-00	415-51046-00
	Upper and Lower Thermostat (59T66T) & Protector ▲ Φ ∩∩	415-53586-00	415-53586-00	415-53586-00
11	Lower Thermostat (59T66T) & Protector ▲▲ ∩	415-50691-00	415-50691-00	415-50691-00
	Lower Thermostat (59T66T) & Protector ▲ Φ ∩∩	415-53388-00	415-53388-00	415-53388-00
12	Heating Element 240V 4500W with Gasket*	415-48642-00	415-48642-00	415-48642-00
13	Thermostat Mounting Bracket	415-50689-00	415-50689-00	415-50689-00
14	Brass Drain Valve	265-42351-02	265-42351-02	265-42351-02
15	Access Cover	243-36618-02	243-36618-02	243-36618-02
16	Heat Trap Insert Kit	265-51572-00	265-51572-00	265-51572-00
17	ASSE Approved Mixing Valve	239-51778-00	239-51778-00	239-51778-00

- ♦ Order with item 2.
- ♦♦ Order with item 4.
- ▲ Thermostat protector provided in kit with thermostat.
- ▲▲ Thermostat protector and mounting bracket (Item# 13) provided in kit with thermostat.
- Φ Mounting bracket (Item #13) not provided in kit with thermostat.
- * For other voltage and wattage combinations, refer to voltage & wattage conversion kits on page 12.
- # Anode may need to be cut to length, please see page 13 for reference chart of anode length by model.
- ∩ Design certified for products with serial numbers PRIOR to TD43243484.
- ∩∩ Design certified for products with serial numbers AFTER and including TD43243484.

- TOP LOCATION**
- Double element water heater.



- BOTTOM LOCATION**
- Single element water heater.
 - Double element water heater.



Item	Description	Model LE330S	Model LE340S	Model LE350S
1	T&P Relief Valve	230-40594-02	230-40594-02	230-40594-02
2	Heat Trap Insert (Outlet)	239-45167-00	239-45167-00	239-45167-00
3	Hot Water Outlet Anode Magnesium ♦#	224-47776-19	224-47776-19	224-47776-19
	Aluminum ♦#	224-32999-28	224-32999-28	224-32999-28
	A420 (Aluminum) ♦#	224-49560-08	224-49560-08	224-49560-08
4	Heat Trap Insert (Inlet)	239-51556-00	239-51556-00	239-51556-00
5	Cold Water Inlet Tube Pex ♦♦	229-51230-21	229-51230-21	229-51230-21
6	Cover Conduit/Ground	243-39451-00	243-39451-00	243-39451-00
7	Cover Junction box	243-39452-00	243-39452-00	243-39452-00
8	Junction Box Extender	239-40587-00	239-40587-00	239-40587-00
9	Terminal Block (4 pole)	243-49908-00	243-49908-00	243-49908-00
10	Upper and Lower Thermostat (59T66T) & Protector ▲ Φ	415-54615-00	415-54615-00	415-54615-00
11	Lower Thermostat (59T66T) & Protector ▲ Φ	415-54452-00	415-54452-00	415-54452-00
12	Heating Element 240V 4500W with Gasket*	415-48642-00	415-48642-00	415-48642-00
13	Thermostat Mounting Bracket	415-50689-00	415-50689-00	415-50689-00
14	Brass Drain Valve	265-42351-04	265-42351-04	265-42351-04
15	Access Cover	243-36618-02	243-36618-02	243-36618-02
16	Heat Trap Insert Kit	265-51572-00	265-51572-00	265-51572-00
17	ASSE Approved Mixing Valve	239-51778-00	239-51778-00	239-51778-00

♦ Order with item 2.

♦♦ Order with item 4.

▲ Thermostat protector provided in kit with thermostat.

▲▲ Thermostat protector and mounting bracket (Item# 13) provided in kit with thermostat.

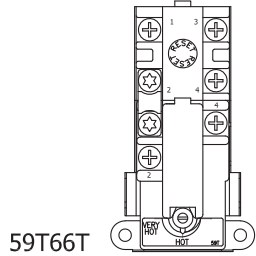
Φ Mounting bracket (Item #13) not provided in kit with thermostat.

* For other voltage and wattage combinations, refer to voltage & wattage conversion kits on page 12.

Anode may need to be cut to length, please see page 13 for reference chart of anode length by model.

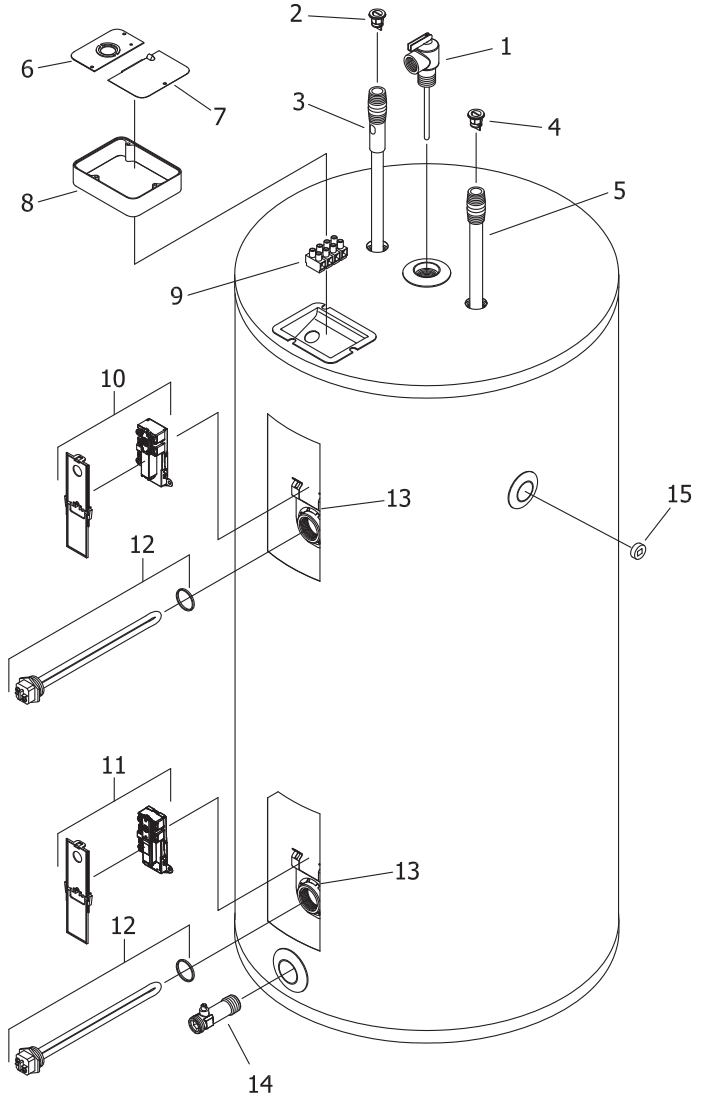
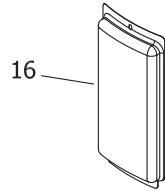
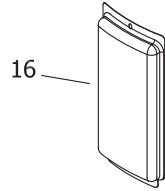
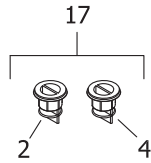
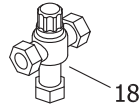
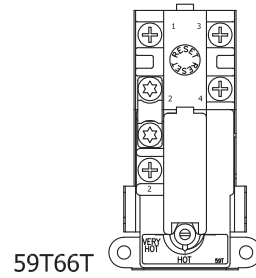
TOP LOCATION

- Double element water heater.



BOTTOM LOCATION

- Single element water heater.
- Double element water heater.



Item	Description	Model LE120L	Model LE130L	Model LE140L	Model LE150L
1	T&P Relief Valve	230-40594-02	230-40594-02	230-40594-02	230-40594-02
2	Heat Trap Insert (Outlet)	239-45167-00	239-45167-00	239-45167-00	239-45167-00
3	Hot Water Outlet Anode Magnesium ♦#	224-47776-19	224-47776-19	224-47776-19	224-47776-19
	Aluminum ♦#	224-32999-28	224-32999-28	224-32999-28	224-32999-28
	A420(Aluminum) ♦#	224-49560-08	224-49560-08	224-49560-08	224-49560-08
4	Heat Trap Insert (Inlet)	239-51556-00	239-51556-00	239-51556-00	239-51556-00
5	Cold Water Inlet Tube PEX ♦♦	229-51230-01	229-51718-04	229-51230-27	229-51230-27
6	Cover Conduit/Ground	243-39451-00	243-39451-00	243-39451-00	243-39451-00
7	Cover Junction box	243-39452-00	243-39452-00	243-39452-00	243-39452-00
8	Junction Box Extender	239-40587-00	239-40587-00	239-40587-00	239-40587-00
9	Terminal Block (4 pole)	243-49908-00	243-49908-00	243-49908-00	243-49908-00
10	Upper Thermostat with High Limit (59T66T) & Protector ▲▲ ∩	415-51046-00	415-51046-00	415-51046-00	415-51046-00
	Upper and Lower Thermostat (59T66T) & Protector ▲ Φ ∩∩	415-53586-00	415-53586-00	415-53586-00	415-53586-00
11	Lower Thermostat (59T66T) & Protector ▲▲ ∩	415-50691-00	415-50691-00	415-50691-00	415-50691-00
	Lower Thermostat (59T66T) & Protector ▲ Φ ∩∩	415-53388-00	415-53388-00	415-53388-00	415-53388-00
12	Heating Element 240V 4500W with Gasket*	415-48642-00	415-48642-00	415-48642-00	415-48642-00
13	Thermostat Mounting Bracket	415-50689-00	415-50689-00	415-50689-00	415-50689-00
14	Brass Drain Valve	265-42351-02	265-42351-02	265-42351-02	265-42351-02
15	Plug-3/4" NPT	239-11638-00	239-11638-00	239-11638-00	239-11638-00
16	Access Cover	243-36618-02	243-36618-02	243-36618-02	243-36618-02
17	Heat Trap Insert Kit	265-51572-00	265-51572-00	265-51572-00	265-51572-00
18	ASSE Approved Mixing Valve	239-51778-00	239-51778-00	239-51778-00	239-51778-00

♦ Order with item 2.

♦♦ Order with item 4.

▲ Thermostat protector provided in kit with thermostat.

▲▲ Thermostat protector and mounting bracket (Item# 13) provided in kit with thermostat.

Φ Mounting bracket (Item #13) not provided in kit with thermostat.

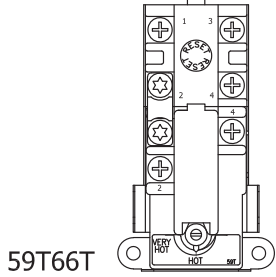
* For other voltage and wattage combinations, refer to voltage & wattage conversion kits on page 12.

Anode may need to be cut to length, please see page 13 for reference chart of anode length by model.

∩ Design certified for products with serial numbers PRIOR to TD43243484.

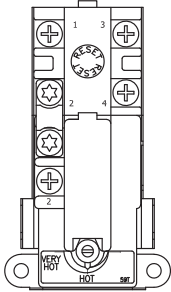
∩∩ Design certified for products with serial numbers AFTER and including TD43243484.

- TOP LOCATION**
- Double element water heater.

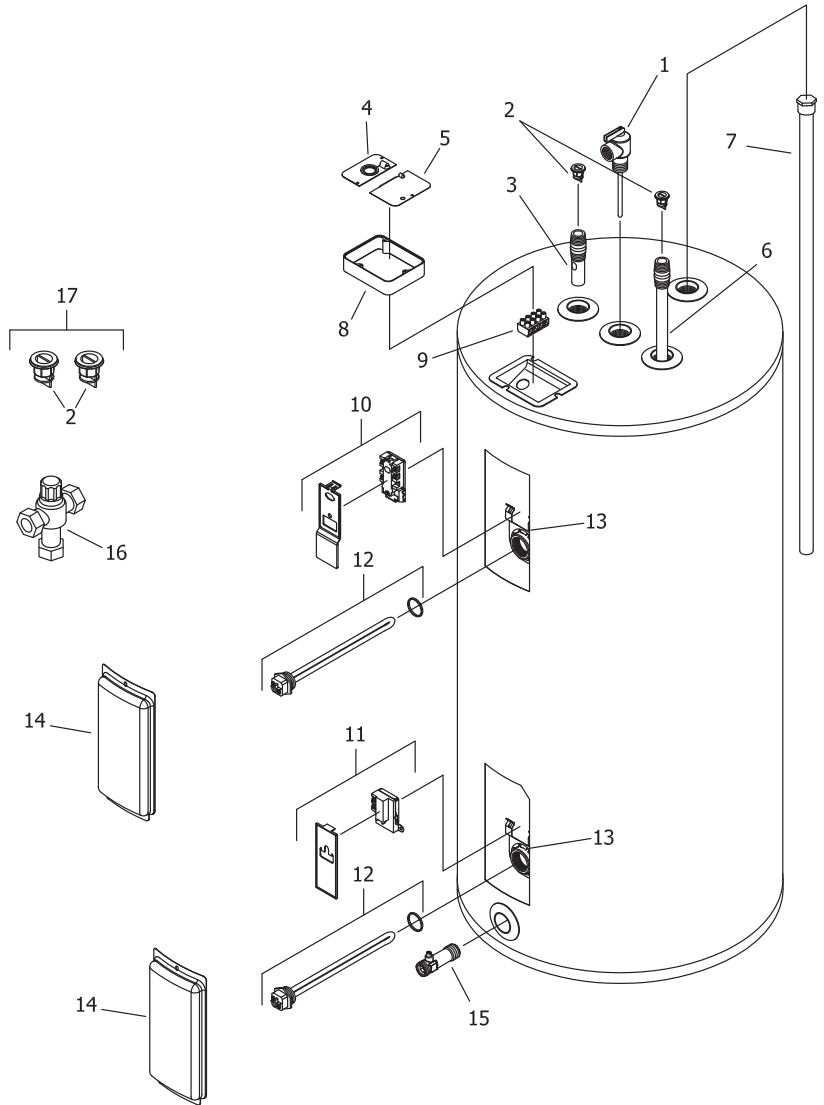


59T66T

- BOTTOM LOCATION**
- Single element water heater.
 - Double element water heater.



59T66T



Item	Description	Model LE230LN	Model LE240LN	Model LE250LN
1	T&P Relief Valve	230-40594-04	230-40594-04	230-40594-04
2	Heat Trap Insert	239-51556-00	239-51556-00	239-51556-00
3	Hot Water Outlet Device♦	229-51995-00	229-51858-00	229-51858-00
4	Cover Conduit/Ground	243-39451-00	243-39451-00	243-39451-00
5	Cover Junction Box	243-39452-00	243-39452-00	243-39452-00
6	Cold Water Inlet Tube PEX ♦	229-51718-03	229-52007-01	229-51718-02
7	Hex Head Anode Magnesium #	224-47782-08	224-47782-08	224-47782-08
	Aluminum #	224-38508-10	224-38508-10	224-38508-10
	A420 (Aluminum)#	224-49559-04	224-49559-04	224-49559-04
8	Junction Box Extender	239-40587-00	239-40587-00	239-40587-00
9	Terminal Block (4 pole)	243-49908-00	243-49908-00	243-49908-00
10	Upper Thermostat with High Limit (59T66T) & Protector ▲▲ ∩	415-51046-00	415-51046-00	415-51046-00
	Upper and Lower Thermostat (59T66T) & Protector ▲ Φ ∩∩	415-54615-00	415-54615-00	415-54615-00
11	Lower Thermostat (59T66T) & Protector ▲▲ ∩	415-50691-00	415-50691-00	415-50691-00
	Lower Thermostat (59T66T) & Protector ▲ Φ ∩∩	415-54452-00	415-54452-00	415-54452-00
12	Heating Element 240V 4500W with Gasket*	415-48642-00	415-48642-00	415-48642-00
13	Thermostat Mounting Bracket	415-50689-00	415-50689-00	415-50689-00
14	Access Cover	243-36618-02	243-36618-02	243-36618-02
15	Brass Drain Valve	265-42351-04	265-42351-04	265-42351-02
16	ASSE Approved Mixing Valve	239-51778-00	239-51778-00	239-51778-00
17	Heat Trap Insert Kit (PEX)	265-51875-00	265-51875-00	265-51875-00

♦ Order with item 2.

▲ Thermostat protector provided in kit with thermostat.

▲▲ Thermostat protector and mounting bracket (Item# 13) provided in kit with thermostat.

Φ Mounting bracket (Item #13) not provided in kit with thermostat.

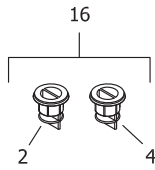
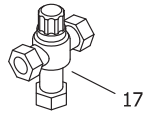
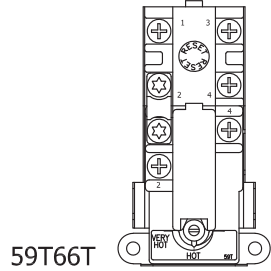
* For other voltage and wattage combinations, refer to voltage & wattage conversion kits on page 12.

Anode may need to be cut to length, please see page 13 for reference chart of anode length by model.

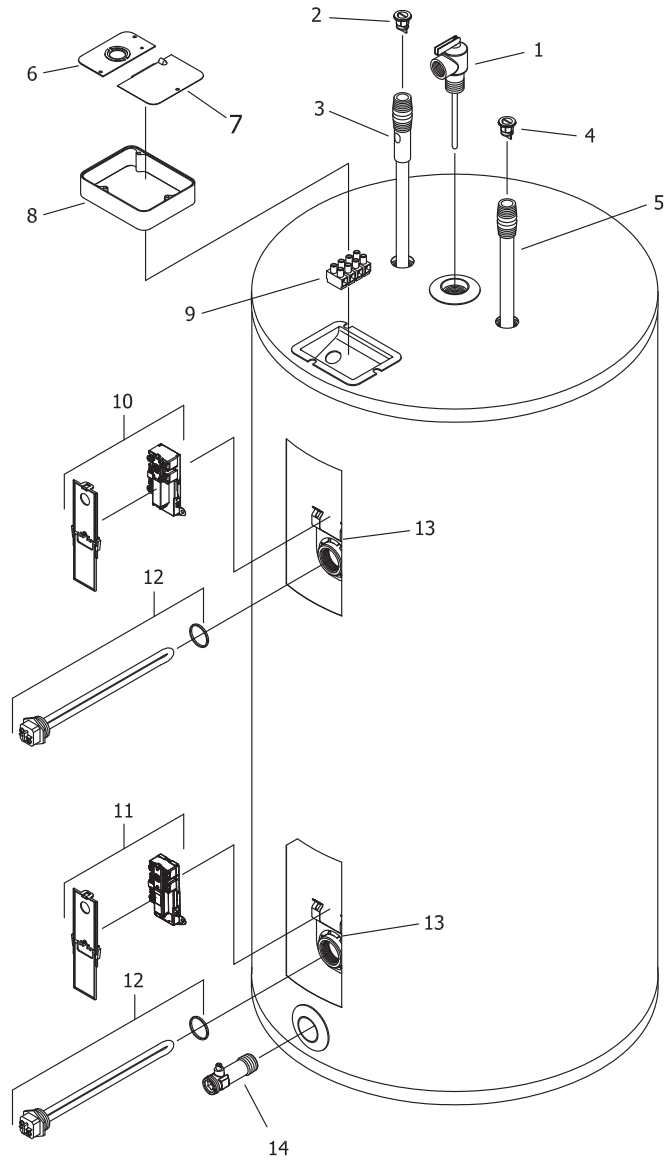
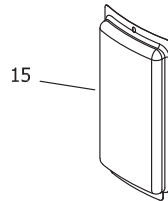
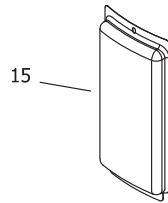
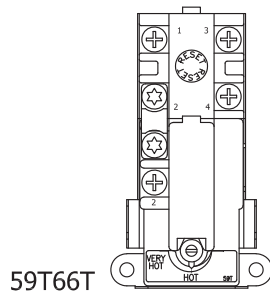
∩ Design certified for products with serial numbers PRIOR to TD43243484.

∩∩ Design certified for products with serial numbers AFTER and including TD43243484.

- TOP LOCATION**
- Double element water heater.



- BOTTOM LOCATION**
- Single element water heater.
 - Double element water heater.



Item	Description	Model LE265T	Model LE280T	Model LE2120T
1	T&P Relief Valve	230-40594-02	230-40594-02	230-40594-02
2	Heat Trap Insert (Outlet)	239-45167-00	239-45167-00	239-45167-00
3	Hot Water Outlet Anode Magnesium ♦ #	224-47776-19	224-47776-27	224-47780-01
	Aluminum ♦ #	224-32999-28	224-32999-28	224-45036-01
	A420 (Aluminum)#	224-49560-08	224-49560-08	---
4	Heat Trap Insert (Inlet)	239-51556-00	239-51556-00	239-51556-00
5	Cold Water Inlet Tube PEX ♦♦	229-51230-22	229-51230-33	---
	Cold Water Inlet Tube Polysulfone ♦♦	---	---	229-45032-01
6	Cover Conduit/Ground	243-39451-00	243-39451-00	243-39451-00
7	Cover Junction Box	243-39452-00	243-39452-00	243-39452-00
8	Junction Box Extender	239-40587-00	239-40587-00	239-40587-00
9	Terminal Block (4 pole)	243-49908-00	243-49908-00	243-49908-00
10	Upper Thermostat with High Limit (59T66T) & Protector ▲▲ ∩	415-51046-00	415-51046-00	415-51046-00
	Upper and Lower Thermostat (59T66T) & Protector ▲ Φ ∩∩	415-54615-00	415-54615-00	415-54615-00
11	Lower Thermostat (59T66T) & Protector ▲▲ ∩	415-50691-00	415-50691-00	415-50691-00
	Lower Thermostat (59T66T) & Protector ▲ Φ ∩∩	415-54452-00	415-54452-00	415-54452-00
12	Heating Element 240V 4500W with Gasket*	415-48642-00	415-48642-00	415-48642-00
13	Thermostat Mounting Bracket	415-50689-00	415-50689-00	415-50689-00
14	Brass Drain Valve	265-42351-02	265-42351-02	265-42351-02
15	Access Cover	243-36618-02	243-36618-02	243-36618-02
16	Heat Trap Insert Kit (PEX)	265-51572-00	265-51572-00	265-51572-00
17	ASSE Approved Mixing Valve	239-51778-00	239-51778-00	239-51778-00

♦ Order with item 2.

♦♦ Order with item 4.

▲ Thermostat protector provided in kit with thermostat.

▲▲ Thermostat protector and mounting bracket (Item #13) provided in kit with thermostat.

Φ Mounting bracket (Item #13) not provided in kit with thermostat.

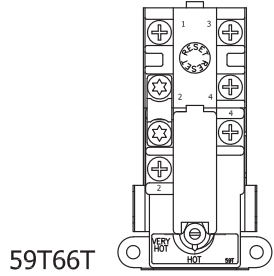
* For other voltage and wattage combinations, refer to voltage & wattage conversion kits on page 12.

Anode may need to be cut to length, please see page 13 for reference chart of anode length by model.

∩ Design certified for products with serial numbers PRIOR to TD43243484.

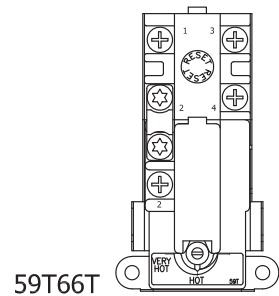
∩∩ Design certified for products with serial numbers AFTER and including TD43243484.

- TOP LOCATION**
- Double element water heater.

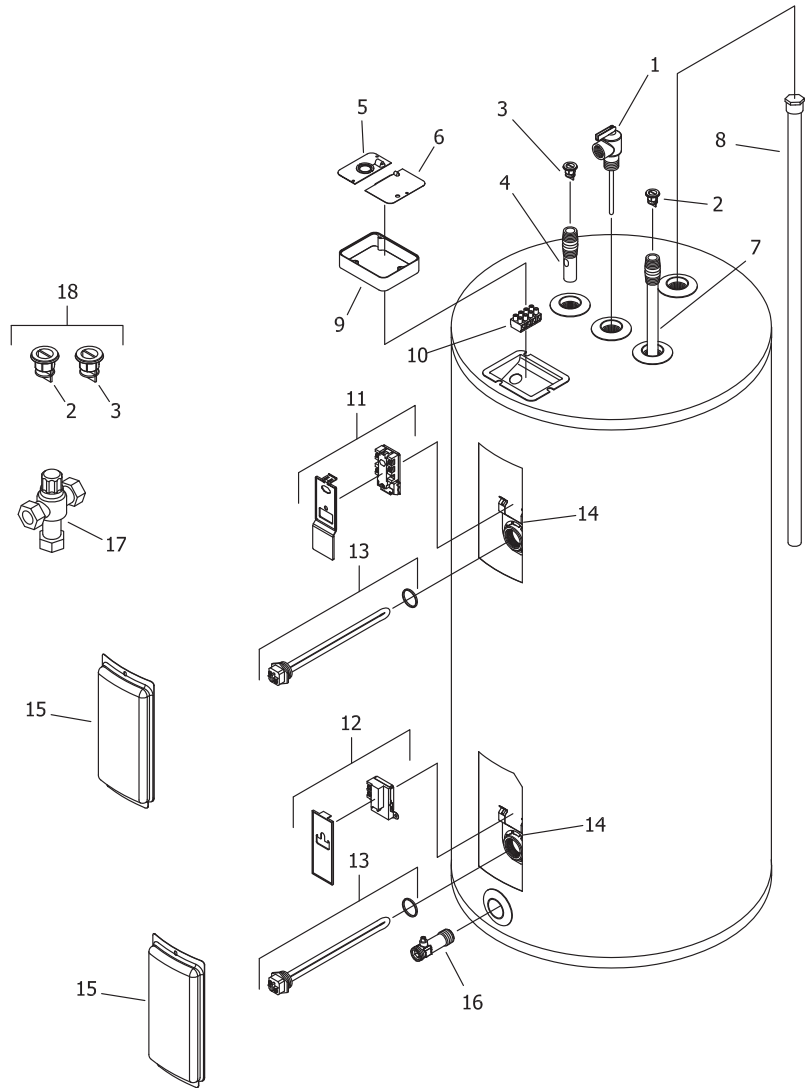


59T66T

- BOTTOM LOCATION**
- Single element water heater.
 - Double element water heater.



59T66T



Item	Description	Model LE255T
1	T&P Relief Valve	230-40594-04
2	Heat Trap Insert (Inlet)	239-51556-00
3	Heat Trap Insert (Outlet)	239-45167-00
4	Hot Water Outlet Device♦	229-50053-06
5	Cover Conduit/Ground	243-39451-00
6	Cover Junction Box	243-39452-00
7	Cold Water Inlet Tube PEX ♦♦	229-51718-05
8	Hex Head Anode Magnesium #	224-47782-08
	Aluminum #	224-38508-10
	A420 (Aluminum)#	224-49559-04
9	Junction Box Extender	239-40587-00
10	Terminal Block (4 pole)	243-49908-00
11	Upper and Lower Thermostat (59T66T) & Protector ▲	415-54615-00
12	Lower Thermostat (59T66T) & Protector ▲	415-54452-00
13	Heating Element 240V 4500W with Gasket*	415-48642-00
14	Thermostat Mounting Bracket	415-50689-00
15	Access Cover	243-36618-02
16	Brass Drain Valve	265-42351-04
17	ASSE Approved Mixing Valve	239-51778-00
18	Heat Trap Insert Kit (PEX)	265-51572-00

♦ Order with item 3.

♦♦ Order with item 2.

▲ Thermostat protector provided in kit with thermostat.

* For other voltage and wattage combinations, refer to voltage & wattage conversion kits on page 12.

Anode may need to be cut to length, please see page 13 for reference chart of anode length by model.

Voltage and Wattage Conversion Kits LE330S3-3, LE340S3-3, LE350S3-3, LE255T3-3 Models Only

Simultaneous and Non-Simultaneous Wattage	Voltage						
	120V	208V	240V	277V	380V	415V	480V
1500W / 1500W	415-46409-01	415-46409-05	415-46409-13	415-46409-16	415-46409-24	415-46409-41	415-46409-32
2000W / 2000W	N/A	415-46409-06	415-46409-05	415-46409-17	415-46409-43	415-46409-24	415-46409-33
2500W / 2500W	N/A	415-46409-07	415-46409-06	415-46409-18	415-46409-25	415-46409-43	415-46409-34
3000W / 3000W	N/A	415-46409-08	415-46409-14	415-46409-19	415-46409-26	415-46409-25	415-46409-35
3500W / 3500W	N/A	415-46409-09	415-46409-07	N/A	415-46409-54	415-46409-26	N/A
4000W / 4000W	N/A	415-46409-49	415-46409-08	415-46409-20	415-46409-56	415-46409-54	415-46409-36
4500W / 4500W	N/A	415-46409-11	415-46409-09	415-46409-51	415-46409-57	415-46409-55	415-46409-59
5000W / 5000W	N/A	415-46409-50	415-46409-15	415-46409-52	415-46409-58	415-46409-56	415-46409-38
5500W / 5500W	N/A	415-46409-67	415-46409-49	415-46409-61**	415-46409-63	415-46409-57	415-46409-62**
6000W / 6000W	N/A	415-46409-66*	415-46409-68	415-46409-53	415-46409-64	415-46409-58	415-46409-60

Voltage Conversion Kits LE265T, LE280T, LE2120T Models Only

Simultaneous Wattage	Voltage						
	120V	208V	240V	277V	380V	415V	480V
6100W / 6100W	N/A	N/A	415-54506-69**	415-54506-70**	N/A	N/A	415-54506-71**

Note: Chart can be used to determine maximum wattage at certain voltages.

Each kit will include two replacement elements, two gaskets, a rating plate overlay and one set of instructions.

For water heaters with only one element, please retain the extra element and gasket as a service part.

*415-46409-66 contains only one element. **INCOLOY® element only.

Reference Chart of Anode Length by Model

Model	AOD Anode Cut Length (End to end)		Hex Head Anode Cut Length (End to end)	
	Inches	Millimeters	Inches	Millimeters
LE230S	39.13	994	---	---
LE240S	39.13	994	---	---
LE250S	39.13	994	---	---
LE330S	39.13	994	---	---
LE340S	39.13	994	---	---
LE350S	39.13	994	---	---
LE230LN	---	---	23	584
LE240LN	---	---	23	584
LE250LN	---	---	23	584
LE120L	20.63	524	---	---
LE130L	27.13	690	---	---
LE140L	27.13	690	---	---
LE150L	27.13	690	---	---
LE255T	---	---	47	1194
LE265T	51.13	1303	---	---
LE280T	51.13	1303	---	---
LE2120T	50.81	1291	---	---



United States

Sales 800-523-2931

Technical Support 800-334-3393

Email techserv@bradfordwhite.com

Warranty 800-531-2111

Email warranty@bradfordwhite.com

Service Parts 800-538-2020

Email parts@bradfordwhite.com

Canada

Sales & Technical Support 866-690-0961 905-203-0600

Fax 905-636-0666

Warranty bwccwarranty@bradfordwhite.com

Technical Support bwccotech@bradfordwhite.com

Service Parts orders@bradfordwhitecanada.com

Orders ca.orders@bradfordwhite.com

For U.S. and Canada field service,
contact your professional installer or
local Bradford White sales representative.

International

General Contact international@bradfordwhite.com