




SYMMONS®

Shower Head

4-163

Installation Brief



Need Help?

Contact Symmons customer service at
(800) 796-6667, (781) 848-2250
Email: customerservice@symmons.com
Monday - Friday 8:00 am - 7:30 pm EST

Product Highlights

- Single mode shower head
- Polished chrome finish

Suffix

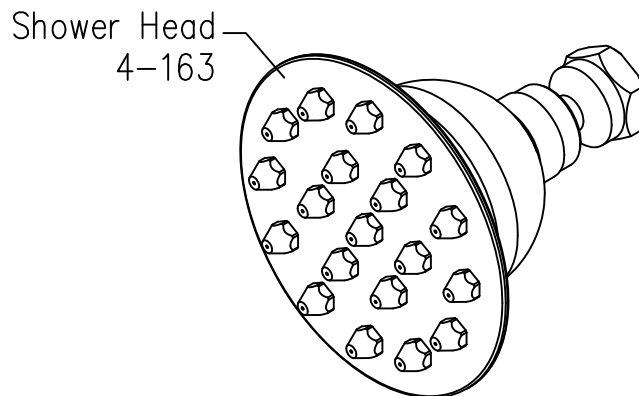
- STN: Satin nickel finish



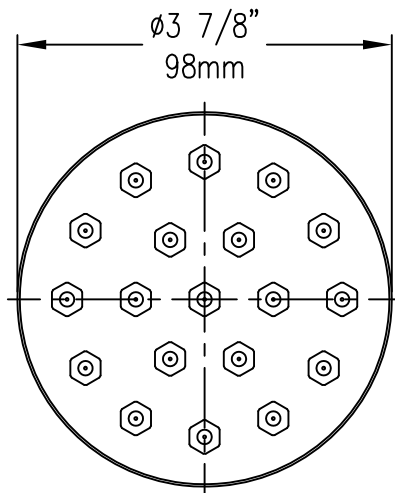
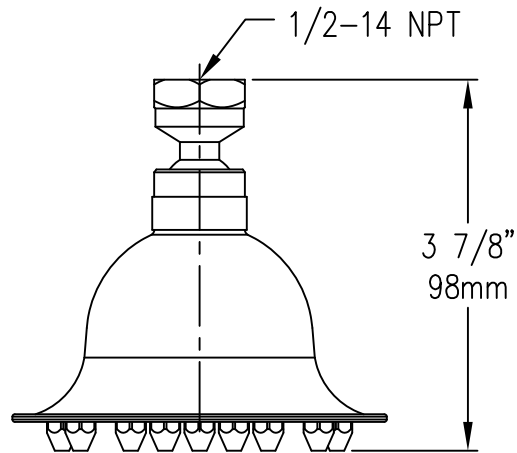
Please check Symmons website for technical help,
the latest product information and warranty policy.

Website: www.symmons.com/service

Parts Assembly



Dimensions



Note: *Dimensions and product structure are subject to change without notice.*

Symmons Industries, Inc. ■ 31 Brooks Drive ■ Braintree, MA 02184
(800) 796-6667, (781) 848-2250 ■ Fax (800) 961-9621, (781) 843-3849
Website: www.symmons.com ■ Email: customerservice@symmons.com