

Features

- Fits minimum 27-inch base cabinet if installed as top-mount or as under-mount.
- Single bowl.
- 13-inch depth.
- 1 faucet hole (-1).
- Includes cutout templates.

Material

- KOHLER enameled cast iron.

Installation

- Top-mount or under-mount installation.

Recommended Accessories

K- 9000 P-Trap

Optional Accessories

K- 8801 Sink Strainer



Codes/Standards

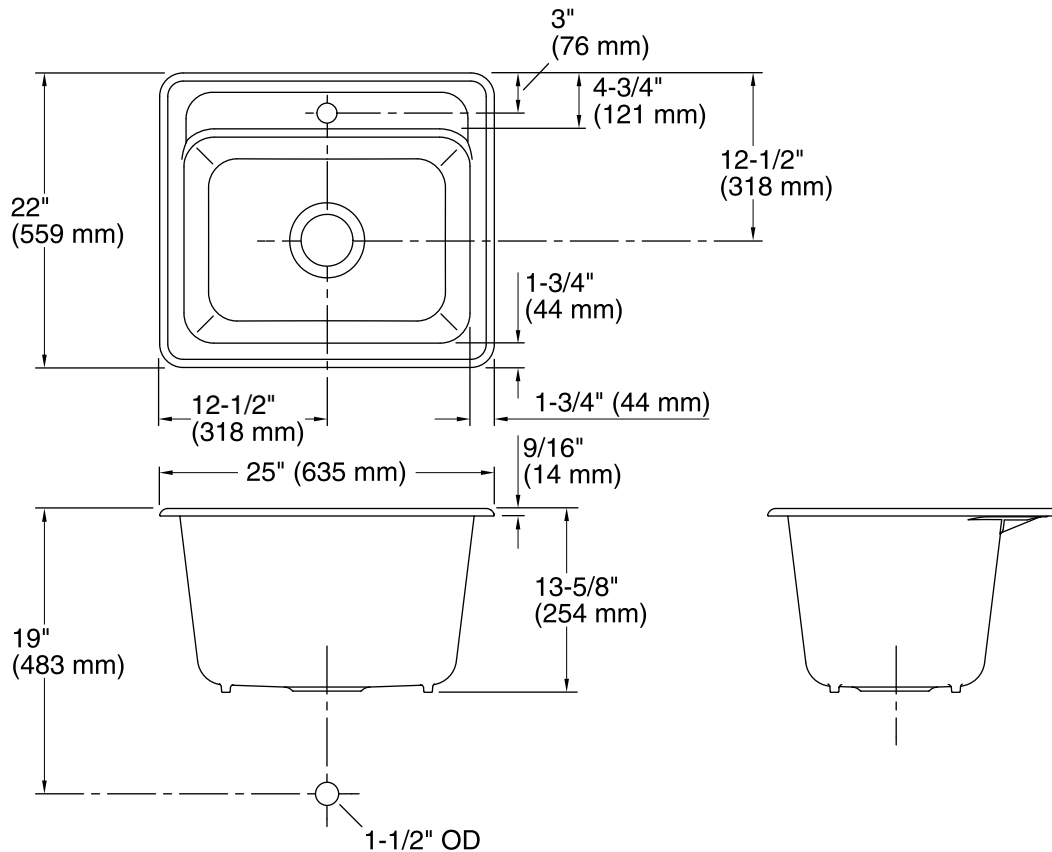
ASME A112.19.1/CSA B45.2

See website for detailed warranty information.

Available Color/Finishes

Color tiles intended for reference only.

Color	Code	Description
	0	White
	FF	Sea Salt™
	96	Biscuit
	47	Almond
	FD	Cane Sugar™
	NY	Dune
	95	Ice™ Grey
	G9	Sandbar
	33	Mexican Sand™
	K4	Cashmere
	FT	Basalt
	58	Thunder™ Grey
	20	Suede
	KA	Black 'n Tan
	FP	Caviar
	7	Black Black™



Technical Information

All product dimensions are nominal.

Bowl configuration: Single

Installation: Top-mount, Under-mount

Min. base cabinet width: 27" (686 mm)

Bowl area
 Length: 21-1/2" (546 mm)
 Width: 15-1/2" (394 mm)
 Bowl depth: 13" (330 mm)
 Water depth: 13" (330 mm)

Number of deck holes: 1

Faucet hole(s): 1-3/8" (35 mm)

Drain hole: 3-7/8" (98 mm)

Template: Top-mount/Under-mount, 1079983-7, required, included

Notes

Install this product according to the installation guide.