

Features

- Fits minimum 27-inch base cabinet if installed as top-mount or as under-mount.
- Single bowl.
- 13-inch depth.
- 3 faucet holes (-3).
- Includes cutout templates.

Material

- KOHLER enameled cast iron.

Installation

- Top-mount or under-mount installation.

Recommended Accessories

K- 9000 P-Trap

Optional Accessories

K- 8801 Sink Strainer








Codes/Standards

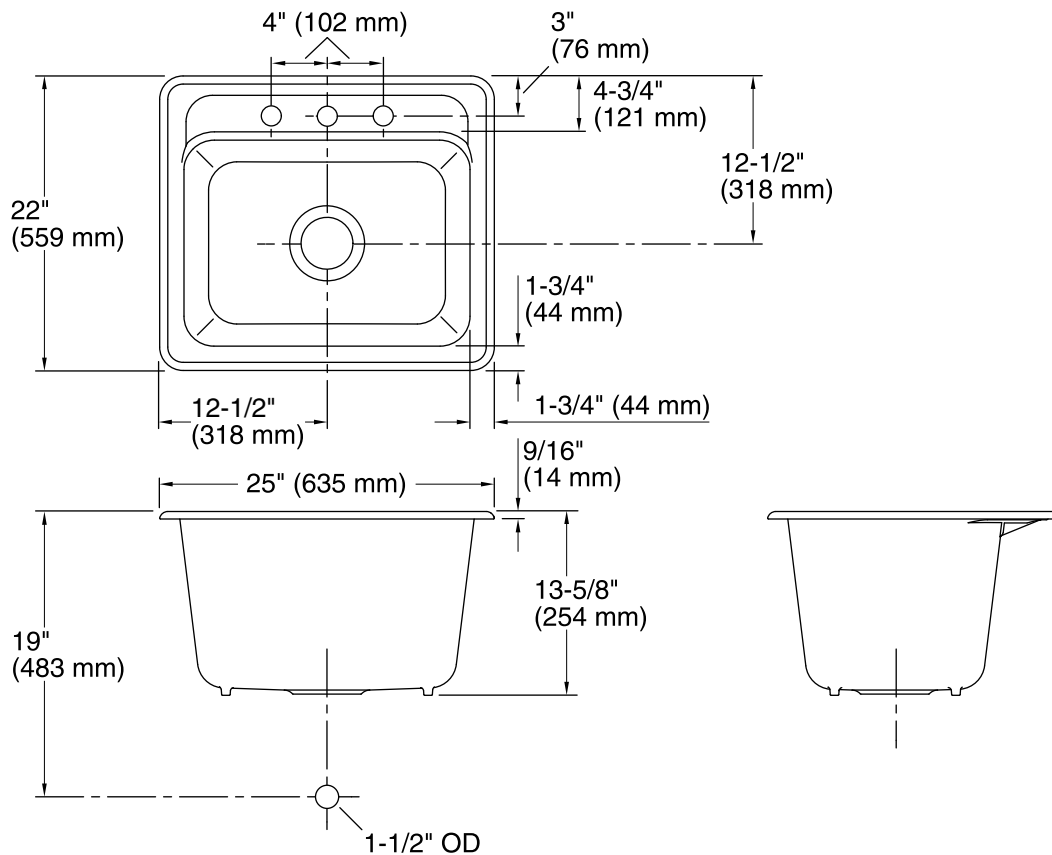
ASME A112.19.1/CSA B45.2

See website for detailed warranty information.

Available Color/Finishes

Color tiles intended for reference only.

Color	Code	Description
	0	White
	FF	Sea Salt™
	96	Biscuit
	47	Almond
	FD	Cane Sugar™
	NY	Dune
	95	Ice™ Grey
	G9	Sandbar
	33	Mexican Sand™
	K4	Cashmere
	FT	Basalt
	58	Thunder™ Grey
	20	Suede
	KA	Black 'n Tan
	FP	Caviar
	7	Black Black™



Technical Information

All product dimensions are nominal.

Bowl configuration:	Single
Installation:	Top-mount, Under-mount
Min. base cabinet width:	27" (686 mm)
Bowl area (Only)	Length: 21-1/2" (546 mm) Width: 15-1/2" (394 mm) Bowl depth: 13" (330 mm) Water depth: 13" (330 mm)
Number of deck holes:	3
Faucet hole(s):	1-3/8" (35 mm)
Drain hole:	3-7/8" (98 mm)
Template:	Top-mount/Under-mount, 1079983-7, required, included

Notes

Install this product according to the installation guide.