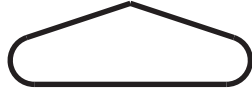
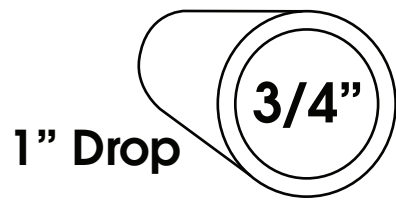


DTK210



Drain Trap Kit with Shut-Off Switch



1" Drop

3/4"

- Easy to install
- Clear PVC
- Includes A/C EasyTee® for fast cleaning
- Easy troubleshooting
- Schedule 40 PVC fittings



DTK210



Drain Trap Kit

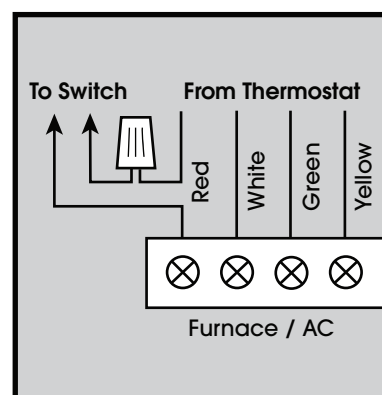
Drain Trap Kits from DiversiTech are an easy solution to help manage condensate draining. Each trap is made from clear PVC with durable schedule 40 PVC fittings for years of reliable service. Drain Trap Kits are simple and quick to install and make it easy to troubleshoot and clean the trap as needed. Kits include a variety of options including multiple cleanouts, standard or deep trap, flexible cleaning brush, and float switch. DiversiTech offers a variety of models to fit almost any application, residential or commercial.

DiversiTech Drain Trap Kit Product Guide

Catalog No.	Trap Type	Cleaning Brush	Float Switch
DTK113	1" DROP		
DTK113B	1" DROP	YES	
DTK205	3" DROP	YES	YES
DTK207 with cross	1" DROP	YES	YES
DTK210	1" DROP	YES	YES

Trap Assembly Instructions

1. Screw Adapter (E) into 3/4" primary drain outlet.
2. Assemble components without glue to ensure fit. Mark as needed. Rotate clear U trap (B) and A/C EasyTee® (C) to correct angle for installation.
3. Glue components (A through D and G) into place. Glue Assembly into Adapter (E).
4. Glue drain line (F) into center portion of A/C EasyTee®. The drain line must exit with at least a 5 degree downward angle.
5. Attach label to unit.
6. Wire the sensor per the attached instructions and diagram. Can be connected with either Red or Yellow wires.



Switch Wiring Instructions for 3/4" CS-1 Float Switch (A)

