



# EVERPURE

EF SERIES SYSTEMS  
SISTEMA DE LA SERIE EF  
EF SÉRIE SYSTÈME



Thank you for purchasing an Everpure by Pentair commercial-grade water filtration system for your home. With your Everpure by Pentair system, you get premium quality water direct from your tap that's great-tasting, healthful and convenient for you and your family.

## PRODUCT SPECIFICATIONS

- For Cold Water Use Only
- Temperature Range: 35-100°F
- Min.-Max. Working Pressure: 10-125 psi

EF-6000	1.67 gpm	6,000 gallons, or at least once a year.
EF-3000	2.2 gpm	3,000 gallons, or at least once a year.
EF-1500	2.2 gpm	1,500 gallons, or at least once a year.

See Performance Data Sheet for further Performance and specification information.

## TOOLS REQUIRED FOR INSTALLATION

- Phillips Screwdriver
- Adjustable Wrench
- Tape Measure
- Pencil

## BASIC INSTALLATION INSTRUCTIONS

### 1. Open Carton & Inspect Parts

Installation Parts

Key	Description	Part No.
1	QL3 Filter Head	EV927082
2a	EF-1500 Filter Cartridge	EV985850
2b	EF-3000 Filter Cartridge	EV985750
2c	EF-6000 Filter Cartridge	EV985550
3	2 Locking Washers	EV306204
4	2 Screws	EV306196
5	3/8-inch MPT x 3/8-inch FTP Elbow	EV310852
6	[2] 3/8-inch x 1/2-inch Unions	EV312251
7	[2] 3/8-inch x 3/8-inch Unions	EV312250
8	Plumber Tape	EV312119
9	Everpure Filter Timer	EV314160

- For purchase of replaceable components please contact your local distributor

### 2. Verify Under-Sink Mounting Location

Measure 22", 20" or 15" (depending on cartridge -see dimensions below) from the base of the cabinet, and mark the mounting location for the top of the filter head. Make sure there is adequate space above the head to open and close the built in shut-off valve and to avoid crimping the water line tubing. Also, make sure your chosen location offers easy access for future cartridge changes.

DIMENSION	Width	Mounting Height	Depth
EF-1500	5 inches	15 inches	5 inches
EF-3000	5 inches	20 inches	5 inches
EF-6000	5 inches	22 inches	5 inches

**NOTE: The head and cartridge must be mounted in the vertical position, with the cartridge hanging down.**

## SPECIAL NOTICES

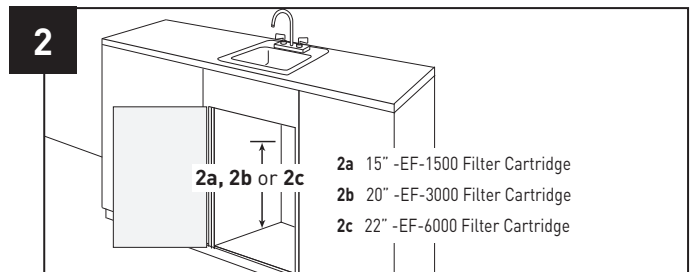
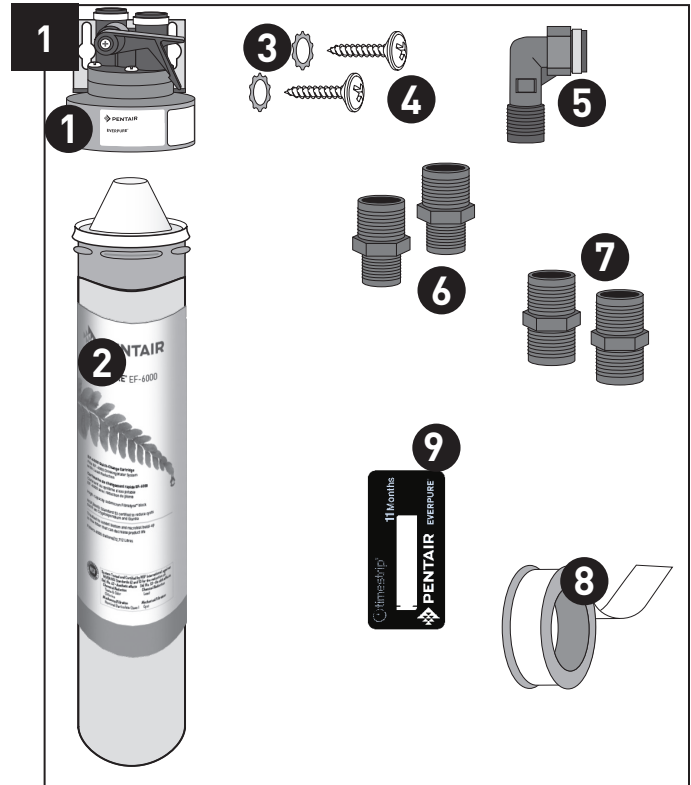
- Do not use with water that is microbiologically unsafe, or of unknown quality without adequate disinfection before or after the system. Systems certified for cyst reduction may be used on disinfected waters that may contain filterable cysts.
- Check for compliance with state and local laws and regulations.
- Spent adsorption media will not be regenerated and used.
- If adsorption media is affected by chlorine, water supply should be treated to remove chlorine prior to entering filter.

## CALIFORNIA PROPOSITION 65 WARNING

**⚠ WARNING:** This product contains chemicals known to the State of California to cause cancer or birth defects or other reproductive harm.



The EF-1500, EF-3000, & EF-6000 are Tested and Certified by NSF International against CSA B483.1 and NSF/ANSI 42, 53 and 401 for the claims specified on the Performance Data Sheet.



# BASIC INSTALLATION INSTRUCTIONS

## CONTINUED

### 3. Mount Filter Head Under Sink

**NOTE:** Two sets of unions are included to connect to the 3/8-inch head connections. If your existing braided tubing has 1/2-inch connections, use the 1/2-inch x 3/8-inch unions instead of the 3/8-inch x 3/8-inch unions. You will have 2 extra fittings with either installation. The following instructions are for a typical installation using 1/2-inch supply lines.

- A. Apply plumber tape to the small threads of one Union Fitting and screw into the open end of the Elbow. Wrap tape in direction of the threads to assure a tight fit and avoid small leaks.
- B. Apply plumber tape to the threads of the Elbow Fitting and screw into the inlet (left) side of the Filter Head. Hand tighten only.
- C. Apply plumber tape to the small threads of the second Union Fitting, and screw into the right side of the filter head in the same manner.
- D. Securely mount the filter head on the cabinet wall using the enclosed mounting screws and washers.

### 4. Connect Inlet Water Supply

- E. Locate and close the cold water shut-off valve under your sink. Open cold water line of faucet to release water pressure.
- F. Unscrew and disconnect the braided tubing on top of cold water shut-off valve.
- G. Attach one end of the new braided tubing to the top of the cold water shut-off valve.
- H. Attach the other end of the new Braided Tubing to the inlet side of the filter head (Union & Elbow Fittings).

### 5. Attach Filtered Water To Cold Line of Faucet

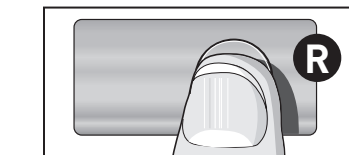
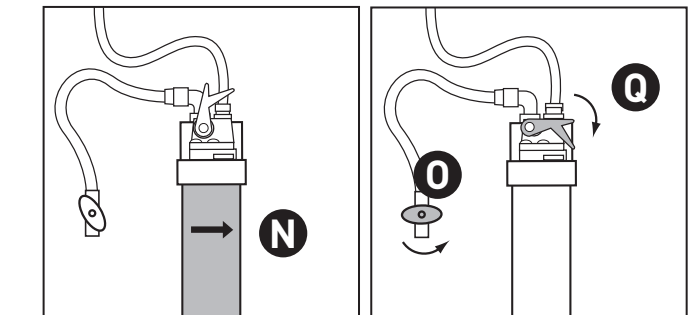
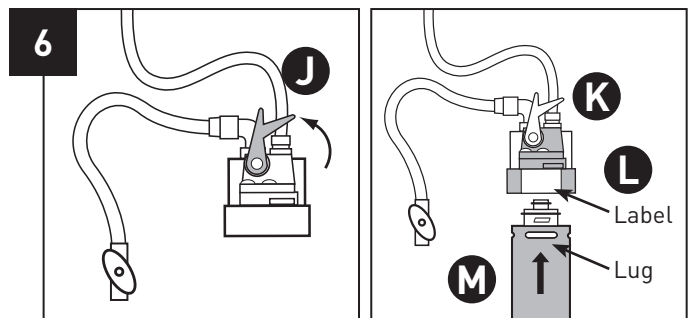
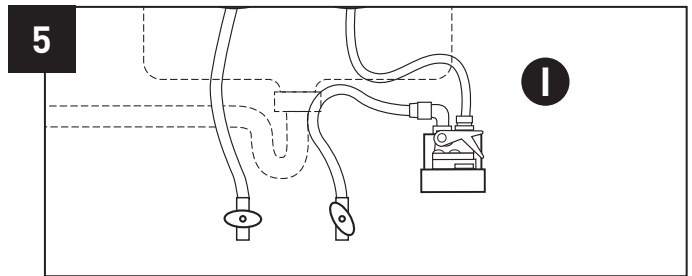
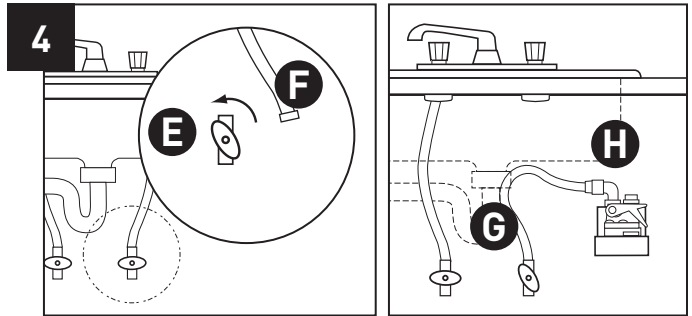
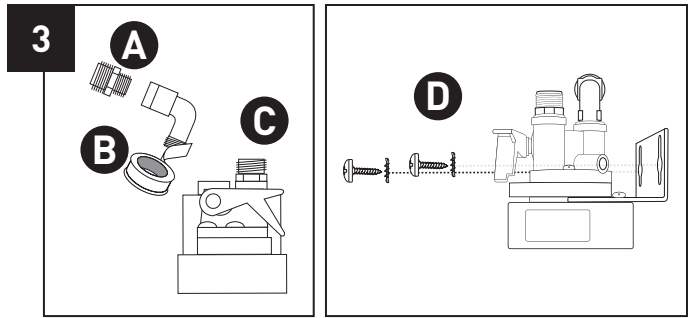
- I. Attach open end of existing Braided Tubing to Union Fitting on outlet side (right) of new Filter Head. Hand tighten to avoid damage to fittings.

### 6. Install And Flush Filter Cartridge

- J. Lift handle of the build-in shut off (QC Valve) on the Head.
- K. Hold Head firmly with one hand.
- L. Align cartridge lug with label on filter Head.
- M. Insert filter Cartridge—Push upwards.
- N. Turn it to the right—About 1/4 turn—Until rotation stops.
- O. Open cold water valve and check for leaks up to Inlet Elbow Fitting.
- P. Open Water Faucet (not pictured).
- Q. Lower the QC Valve Handle to flush water to the sink.

**NOTE:** Flush new filter cartridges for at least 3 minutes to remove air and any loose carbon. At first the water may appear cloudy due to trapped air in the filter and tubing. If water continues to be cloudy for more than one week, please contact Pentair Technical Support for assistance: (800) 279-9404

- R. Activate Filter Timer by pinching bubble until you feel a change in resistance as the Filter timer “pops.” Within a few seconds, a thin RED line will appear in the white window showing the Timestrip(R) has been activated. Peel away backing and adhere to desired location. When the white window is completely filled with RED, it is time to replace your product.



**EVERPURE®**
**EF-1500 Cartridge - Part No. EV985850**

**IMPORTANT NOTICE:** Read this Performance Data Sheet and compare the capabilities of this unit with your actual water treatment needs. It is recommended that, before purchasing a water treatment unit, you have your water tested to determine your actual treatment needs.

**FEATURES**

- Finely polishes treated water to premium quality for drinking and cooking.
- Reduces chlorine taste and odor.
- NSF/ANSI Standard 53 certified to reduce cysts such as Cryptosporidium and Giardia by mechanical means.
- Reduces common earthy, moldy, fishy tastes and odors.

**HEALTH CLAIM PERFORMANCE CERTIFIED BY NSF/ANSI\***

This system has been tested according to NSF/ANSI 42 and 53 for the reduction of the substances listed below. The concentration of the indicated substances in water entering the system was reduced to a concentration less than or equal to the permissible limit for water leaving the system, as specified in NSF/ANSI 42 and 53.

Substance	Influent Challenge Concentration	Max. Permissible Product Water Concentration	Reduction Requirements	Minimum Reduction	Average Reduction
<b>Standard 42—Aesthetic Effects</b>					
Chlorine	2.0 mg/L ± 10%		≥ 50%		97.2%
Particulate, Class I particles 0.5 to <1 µm	at least 10,000 particles/mL		≥ 85%		99.9%
<b>Standard 53—Health Effects</b>					
Cyst	Minimum 50,000/L		99.95%	99.99%	99.99%
Lead 8.5	0.15 mg/L ± 10%	0.010 mg/L		98.1%	98.8%
Lead 6.5	0.15 mg/L ± 10%	0.010 mg/L		99.3%	99.3%

\*Tested using flow rate = 2.2 gpm; pressure = 60 psig; pH = 7.5 ± 0.5; temp. = 20° ± 2.5°C

**OPERATING SPECIFICATIONS**

- Capacity: 1500 gallons (5,600 liters)
- Pressure requirement: 10-125 psi (0.7 - 8.6 bar), non-shock
- Temperature: 35-100°F (2°-38°C)
- Flow Rate: 2.2 gpm (8.3 lpm)

**GENERAL INSTALLATION/OPERATION/MAINTENANCE REQUIREMENTS**

- Space required: 5"W x 15"H x 5"D (13 x 38 x 13 cm) including 2-1/2 inches of clear space under unit for cartridge change.
- Install vertically with cartridge hanging down.
- Use minimum length of tubing possible.
- Flush new cartridge at full flow for three minutes to purge air.
- Replace cartridges when capacity is reached, or when flow becomes too slow, but at least annually.

**SPECIAL NOTICES**

- Installation instructions, parts and service availability, and standard warranty are included with the product when shipped.
- This drinking water system must be maintained according to manufacturer's instructions, including replacement of filter cartridges.
- Do not use with water that is microbiologically unsafe, or of unknown quality without adequate disinfection before or after the system. Systems certified for cyst reduction that may contain filterable cysts.
- The contaminants or other substances removed or reduced by this water treatment system are not necessarily in your water.
- Check for compliance with state and local laws and regulations.
- Tests run under standard laboratory conditions. Actual performance may vary.
- Spent adsorption media will not be regenerated and used.
- If adsorption media is affected by chlorine, water supply should be treated to remove chlorine prior to entering filter.

EPA Est. 002623-IL-002



The EF-1500 is Tested and Certified by NSF International against CSA B483.1 and NSF/ANSI 42 and 53 for the claims specified on the Performance Data Sheet.

**EVERPURE®**
**EF-3000 Cartridge - Part No. EV985750 (1-pack)**

**IMPORTANT NOTICE:** Read this Performance Data Sheet and compare the capabilities of this unit with your actual water treatment needs. It is recommended that, before purchasing a water treatment unit, you have your water tested to determine your actual treatment needs.

**FEATURES**

- Finely polishes treated water to premium quality for drinking and cooking.
- Reduces chlorine taste and odor.
- NSF/ANSI Standard 53 certified to reduce cysts such as Cryptosporidium and Giardia by mechanical means.
- Reduces common earthy, moldy, fishy tastes and odors.
- Reduces lead

**HEALTH CLAIM PERFORMANCE CERTIFIED BY NSF/ANSI\***

This system has been tested according to NSF/ANSI 42 and 53 for the reduction of the substances listed below. The concentration of the indicated substances in water entering the system was reduced to a concentration less than or equal to the permissible limit for water leaving the system, as specified in NSF/ANSI 42 and 53.

Substance	Influent Challenge Concentration	Max. Permissible Product Water Concentration	Reduction Requirements	Minimum Reduction	Average Reduction
<b>Standard 42—Aesthetic Effects</b>					
Chlorine	2.0 mg/L ± 10%		> 50%		99.0%
Particulate, Class I particles 0.5 to <1 µm	at least 10,000 particles/mL		> 85%		98.3%
<b>Standard 53—Health Effects</b>					
Cyst	Minimum 50,000/L		99.95%	99.99%	99.99%
Lead 6.5	0.15 mg/L ± 10%	0.010 mg/L		93.2%	98.5%
Lead 8.5	0.15 mg/L ± 10%	0.010 mg/L		99.9%	99.9%

\*Tested using flow rate = 2.2 gpm; pressure = 60 psig; pH = 7.5 ± 0.5; temp. = 20° ± 2.5°C

**OPERATING SPECIFICATIONS**

- Capacity: 3000 gallons (11,200 liters)
- Pressure requirement: 10-125 psi (0.7 - 8.6 bar), non-shock
- Temperature: 35-100°F (2°-38°C)
- Flow Rate: 2.2 gpm (8.3 lpm)

**GENERAL INSTALLATION/OPERATION/MAINTENANCE REQUIREMENTS**

- Space required: 5"W x 20"H x 5"D (13 x 51 x 13 cm) including 2-1/2 inches of clear space under unit for cartridge change.
- Install vertically with cartridge hanging down.
- Use minimum length of tubing possible.
- Flush new cartridge at full flow for three minutes to purge air.
- Replace cartridges when capacity is reached, or when flow becomes too slow, but at least annually.

**SPECIAL NOTICES**

- Installation instructions, parts and service availability, and standard warranty are included with the product when shipped.
- This drinking water system must be maintained according to manufacturer's instructions, including replacement of filter cartridges.
- Do not use with water that is microbiologically unsafe, or of unknown quality without adequate disinfection before or after the system. Systems certified for cyst reduction may be used on waters that may contain filterable cysts.
- The contaminants or other substances removed or reduced by this water treatment system are not necessarily in your water.
- Check for compliance with state and local laws and regulations.
- Tests run under standard laboratory conditions. Actual performance may vary.
- Spent adsorption media will not be regenerated and used.
- If adsorption media is affected by chlorine, water supply should be treated to remove chlorine prior to entering filter.

EPA Est. 002623-IL-002



The EF-3000 is Tested and Certified by NSF International against CSA B483.1 and NSF/ANSI 42 and 53 for the claims specified on the Performance Data Sheet.

**EVERPURE®**

**EF-6000 Cartridge - Part No. EV985550, EV985556 (6-Pack)**

**IMPORTANT NOTICE:** Read this Performance Data Sheet and compare the capabilities of this unit with your actual water treatment needs. It is recommended that, before purchasing a water treatment unit, you have your water tested to determine your actual treatment needs.

**FEATURES**

- Finely polishes treated water to premium quality for drinking and cooking.
- Reduces chlorine taste and odor.
- NSF/ANSI Standard 53 certified to reduce cysts such as Cryptosporidium and Giardia by mechanical means.
- Reduces common earthy, moldy, fishy tastes and odors.

**HEALTH CLAIM PERFORMANCE CERTIFIED BY NSF/ANSI\***

This system has been tested according to NSF/ANSI 42 and 53 for the reduction of the substances listed below. The concentration of the indicated substances in water entering the system was reduced to a concentration less than or equal to the permissible limit for water leaving the system, as specified in NSF/ANSI 42 and 53.

Substance	Influent Challenge Concentration	Max. Permissible Product Water Concentration	Reduction Requirements	Minimum Reduction	Average Reduction
<b>Standard 42—Aesthetic Effects</b>					
Chlorine	2.0 mg/L ± 10%		≥ 50%		97.4%
Particulate, Class I particles 0.5 to <1 µm	at least 10,000 particles/mL		≥ 85%		99.9%
<b>Standard 53—Health Effects</b>					
Cyst	Minimum 50,000/L		99.95%	99.99%	99.99%
Lead 8.5	0.15 mg/L ± 10%	0.010 mg/L		98%	98.9%
Lead 6.5	0.15 mg/L ± 10%	0.010 mg/L		99.3%	99.3%

\*Tested using flow rate = 1.67 gpm; pressure = 60 psig; pH = 7.5 ± 0.5; temp. = 20° ± 2.5°C

**OPERATING SPECIFICATIONS**

- Capacity: 6000 gallons (22,712 liters)
- Pressure requirement: 10-125 psi (0.7 - 8.6 bar), non-shock
- Temperature: 35-100°F (2°-38°C)
- Flow Rate: 1.67 gpm (6.32 lpm)

**GENERAL INSTALLATION/OPERATION/MAINTENANCE REQUIREMENTS**

- Space required: 5"W x 22"H x 5"D (13 x 56 x 13 cm) including 2-1/2 inches of clear space under unit for cartridge change.
- Install vertically with cartridge hanging down.
- Use minimum length of tubing possible.
- Flush new cartridge at full flow for three minutes to purge air.
- Replace cartridges when capacity is reached, or when flow becomes too slow, but at least annually.

**SPECIAL NOTICES**

- Installation instructions, parts and service availability, and standard warranty are included with the product when shipped.
- This drinking water system must be maintained according to manufacturer's instructions, including replacement of filter cartridges.
- Do not use with water that is microbiologically unsafe, or of unknown quality without adequate disinfection before or after the system. Systems certified for cyst reduction that may contain filterable cysts.
- The contaminants or other substances removed or reduced by this water treatment system are not necessarily in your water.
- Check for compliance with state and local laws and regulations.
- Tests run under standard laboratory conditions. Actual performance may vary.
- Spent adsorption media will not be regenerated and used.
- If adsorption media is affected by chlorine, water supply should be treated to remove chlorine prior to entering filter.

EPA Est. 002623-IL-002



The EF-6000 is Tested and Certified by NSF International against CSA B483.1 and NSF/ANSI 42 and 53 for the claims specified on the Performance Data Sheet.

Gracias por comprar un sistema de filtración de agua Everpure por Pentair de categoría comercial para su hogar. Con el sistema Everpure por Pentair usted obtiene directamente de la llave un agua de primera calidad de buen sabor, saludable y en forma conveniente para usted y su familia.

## ESPECIFICACIONES DEL PRODUCTO

- Para uso únicamente con agua fría
- Gama de temperatura: 2-38°C
- Presión de servicio mín. - máx.: 0.7-8.6 bar

EF-6000	6.32 lpm	22,712 liters, 0 por lo menos una vez al año
EF-3000	8.3 lpm	11,200 liters, 0 por lo menos una vez al año
EF-1500	8.3 lpm	5,600 liters, 0 por lo menos una vez al año

Consulte la hoja de datos de desempeño para obtener más información acerca del desempeño y las especificaciones.

## HERRAMIENTAS NECESARIAS PARA LA INSTALACIÓN

- Destornillador Phillips
- Cinta Métrica
- Llave Ajustable
- Lápiz

## INSTRUCCIONES BÁSICAS DE INSTALACIÓN

### 1. Abra el cartón y revise las piezas

Piezas de instalación

Clave	Descripción	Pieza No
1	QL3 cabezal de filtro	EV927082
2a	EF-1500 cartucho filtro	EV985850
2b	EF-3000 cartucho filtro	EV985750
2c	EF-6000 cartucho filtro	EV985550
3	2 arandelas de seguridad	EV306204
4	2 tornillos	EV306196
5	Codo de 3/8" macho x 3/8" hembra	EV310852
6	(2) uniones de 3/8" x 1/2"	EV312251
7	(2) uniones de 3/8" x 3/8"	EV312250
8	cinta de fontanero	EV312119
9	Medidor de filtro Everpure	EV314160

- Para adquirir componentes reemplazables, comuníquese con su distribuidor local.

### 2. Compruebe el sitio de montaje debajo del fregadero

Mida 22", 20" o 15" (según el cartucho; consulte las dimensiones a continuación) a partir de la base del gabinete, y marque el lugar de instalación para la parte superior de la cabeza del filtro. Asegúrese de que haya suficiente espacio encima del cabezal para abrir y cerrar la válvula de cierre incorporada y para evitar que la tubería de agua se doble. También, asegúrese de que el sitio que escogió sea fácilmente accesible para cambiar los cartuchos en el futuro.

DIMENSIONES	Ancho	Altura de montaje	Profundidad
EF-1500	12.7 cm	38.1 cm	12.7 cm
EF-3000	12.7 cm	50.8 cm	12.7 cm
EF-6000	12.7 cm	55.9 cm	12.7 cm

**NOTA:** El cabezal y el cartucho deben montarse en posición vertical, con el cartucho colgando hacia abajo.

## AVISOS ESPECIALES

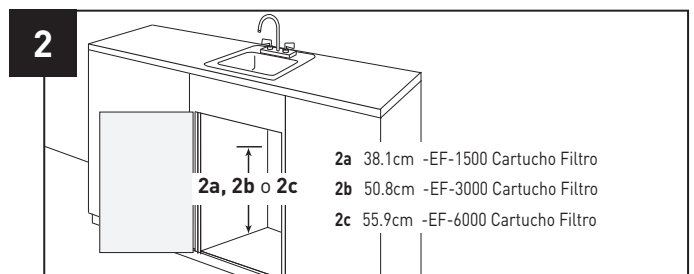
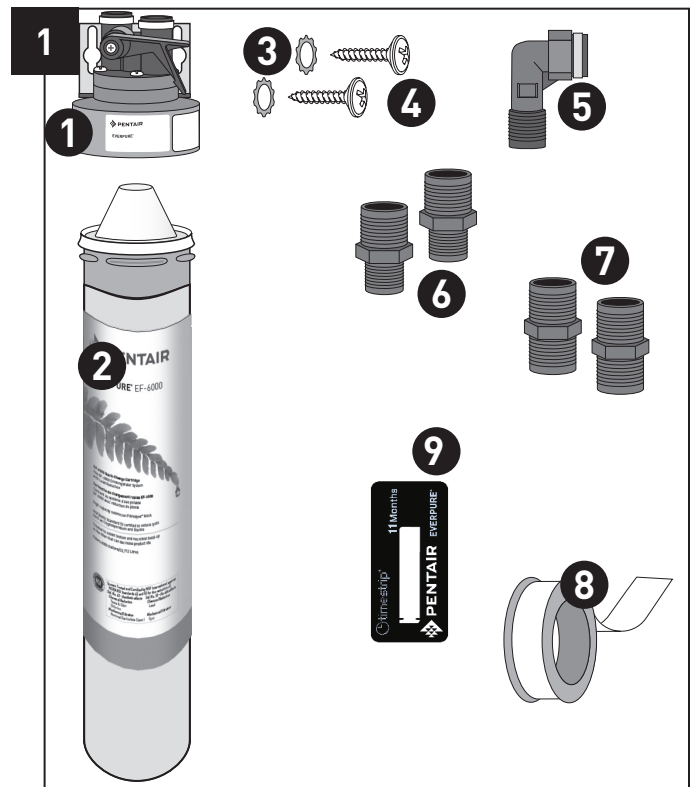
- No lo utilice con agua que no sea microbiológicamente segura o tenga calidad desconocida sin una desinfección adecuada antes o después del sistema. Los sistemas certificados para reducción de quistes se pueden utilizar en agua desinfectada que podría contener quistes filtrables.
- Verifique el cumplimiento con las leyes y reglamentos estatales y locales.
- El término "bacteriostático" indica que el sistema limita el paso o crecimiento de bacterias que posiblemente ya existen en el agua entrante. Esto no significa que el agua que sale del sistema es más segura para tomarse que el agua que entra a él.
- El medio de adsorción agotado no se regenerará y usará.
- Si el medio de adsorción es afectado por el cloro, el suministro de agua se deberá tratar para eliminar el cloro antes de ingresar al filtro.

## ADVERTENCIA SEGÚN PROPUESTA 65 DE CALIFORNIA:

**ADVERTENCIA** Este producto contiene químicos que el Estado de California sabe que causan cáncer o defectos de nacimiento u otro daño reproductivo.



EF-1500, EF-3000 y EF-6000 está probado y certificado por NSF International bajo las normas CSA B483.1 y NSF/ANSI 42, 53 y 401 en cuanto a las afirmaciones especificadas en la Hoja de datos sobre rendimiento.

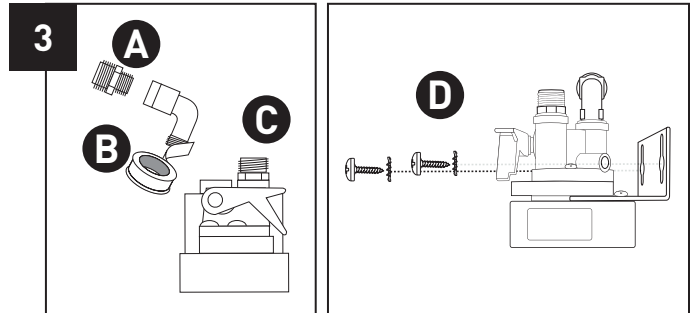


## INSTRUCCIONES BÁSICAS DE INSTALACIÓN *CONTINUADO*

### 3. Monte el cabezal del filtro debajo del fregadero

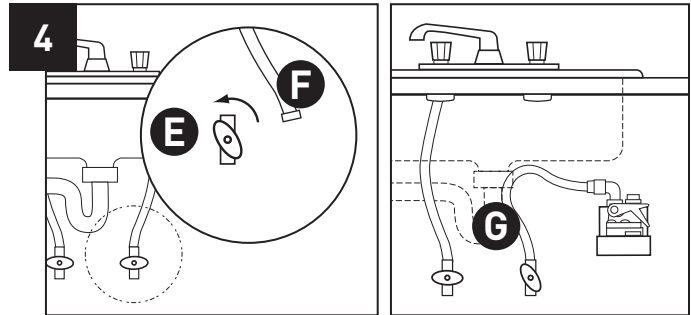
**NOTA:** Se incluyen dos juegos de uniones para conectar a las conexiones del cabezal de 3/8 de pulgada. Si el tubo trenzado existente tiene conexiones de 1/2 pulgada, use las uniones de 1/2 pulgada x 3/8 de pulgada en vez de las uniones de 3/8 de pulgada x 3/8 de pulgada. Usted tendrá 2 adaptadores extra con cada instalación. Las instrucciones a continuación son para una instalación típica que usa tubos de abastecimiento de 1/2 pulgada.

- A. Aplique cinta de fontanero a las roscas pequeñas de uno de los adaptadores de unión y atorníllelo al extremo abierto del codo. Enrolle la cinta en el sentido de las roscas para asegurar un ajuste firme y evitar las pérdidas pequeñas.
- B. Aplique cinta de fontanero a las roscas del adaptador del codo y atorníllelo al lado [izquierdo] de entrada del cabezal del filtro. Sólo apriete a mano.
- C. Aplique cinta de fontanero a las roscas pequeñas del segundo adaptador de unión y atorníllelo de la misma manera al lado derecho del cabezal del filtro.
- D. Monte firmemente el cabezal del filtro a la pared de armarios usando los tornillos de montaje y las arandelas incluidas.



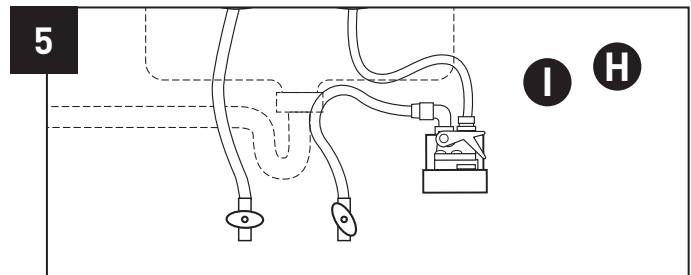
### 4. Conecte el abastecimiento de agua de entrada

- E. Ubique y cierre la válvula de cierre de agua fría debajo del fregadero. Abra la llave de agua fría del grifo para descargar la presión del agua.
- F. Destornille y desconecte el tubo trenzado en la parte superior de la válvula de cierre de agua fría.
- G. Fije un extremo del tubo trenzado nuevo a la parte superior de la válvula de cierre de agua fría.
- H. Fije el otro extremo del nuevo tubo trenzado al lado de entrada del cabezal del filtro (adaptadores de unión y de codo).



### 5. Conecte el agua filtrada a la línea de agua fría del grifo

- I. Fije el extremo abierto del tubo trenzado existente al adaptador de unión en el lado de salida (derecho) del nuevo cabezal del filtro. Apriete a mano para evitar dañar los adaptadores





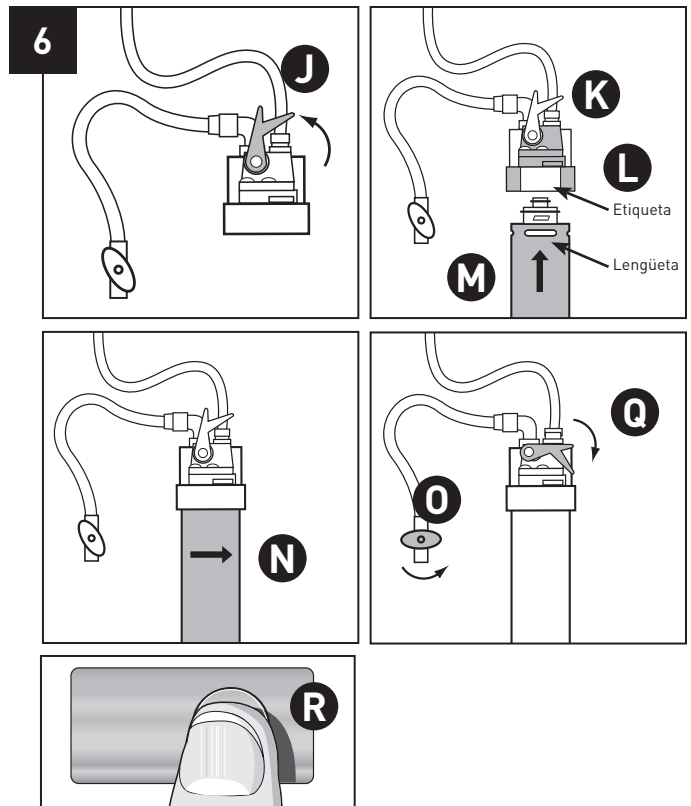
## INSTRUCCIONES BÁSICAS DE INSTALACIÓN *CONTINUADO*

### 6. Instale el cartucho filtrante y deje correr el agua.

- J. Levante la manilla de la válvula de cierre (válvula de control) en el cabezal.
- K. Sujete firmemente el cabezal con una mano.
- L. Alinee la lengüeta del cartucho con la etiqueta del cabezal del filtro.
- M. Introduzca el cartucho filtrante — empuje hacia arriba.
- N. Gírelo hacia la derecha, aproximadamente un 1/4 de vuelta hasta que tope.
- O. Abra la válvula de agua fría y compruebe que no haya pérdidas hasta el adaptador del codo de entrada.
- P. Abra el grifo de agua (no se muestra).
- Q. Baje la manilla de la válvula de control para descargar el agua hacia el fregadero.

**NOTA:** Deje correr agua por el cartucho filtrante nuevo por lo menos durante 3 minutos para quitar el aire y toda partícula suelta de carbono. Al principio, el agua filtrada pudiera aparecer turbia debido al aire atrapado en el filtro y la tubería. Si el agua continúa opaca por más de una semana, póngase en contacto con el departamento de Servicios Técnicos para que le ayuden: (800) 279-9404.

- R. Active el temporizador del filtro presionando la burbuja hasta que sienta un cambio en la resistencia cuando se bote el temporizador. En unos pocos segundos aparecerá una línea ROJA delgada en la ventana blanca para mostrar que ya se activó el Timestrip®. Desprenda el protector y adhiéralo al sitio donde lo requiera. Cuando la ventana blanca esté completamente llena de ROJO, será momento de reemplazar su producto.



**EVERPURE®**
**Cartucho EF-1500 - Pieza N.º EV985850**

**AVISO IMPORTANTE:** Lea esta Hoja de información sobre rendimiento y compare las capacidades de esta unidad con sus necesidades reales de tratamiento de agua. Se recomienda que antes de adquirir una unidad de tratamiento de agua, haga analizar su agua para determinar sus necesidades reales de tratamiento del agua.

**CARACTERÍSTICAS**

- Limpia adecuadamente el agua tratada y la convierte en agua de calidad superior para beber o cocinar.
- Reduce el gusto y el olor del cloro.
- Con certificado de la Norma 53 de NSF/ANSI para reducir los quistes como Cryptosporidium y Giardia por medios mecánicos
- Reduce los sabores y olores frecuentes a tierra, moho y pescado.

**DESEMPEÑO DE LA AFIRMACIÓN SOBRE SALUD CERTIFICADO POR NSF/ANSI\***

Este sistema ha sido analizado de acuerdo con las Normas NSF/ANSI 42 y 53 en cuanto a la reducción de las sustancias enumeradas a continuación. La concentración de las sustancias indicadas en el agua que entra al sistema se reduce a una concentración menor o igual a los límites permitidos para el agua que sale del sistema, como lo especifican las Normas NSF/ANSI 42 y 53.

Sustancia	Concentración de contaminantes en el agua prefiltrada	Concentración máx. permitida de productos en el agua	Necesidad de reducción	Reducción mínima	Reducción promedio
<b>Estándar 42, efectos estéticos</b>					
Cloro	2.0 mg/L ± 10%		≥ 50%		97.2%
Partículas clase I 0.5 a <1 µm	al menos 10,000 partículas/ml		≥ 85%		99.9%
<b>Estándar 53, efectos estéticos</b>					
Quistes	Mínimo 50,000/L		99.95%	99.99%	99.99%
Plomo 8.5	0.15 mg/L ± 10%	0.010 mg/L		98.1%	98.8%
Plomo 6.5	0.15 mg/L ± 10%	0.010 mg/L		99.3%	99.3%

\*Analizado en un caudal de servicio = 2,2 gpm, presión = 60 psig, pH = 7.5 ± 0.5, temp. = 20° ± 2.5°C

**ESPECIFICACIONES DE FUNCIONAMIENTO**

- Capacidad: 1500 galones (5,600 litros)
- Requisito de presión: 10-125 psi (0.7 - 8.6 bar), sin choque
- Temperatura: 35-100°F (2°-38°C)
- Caudal: 2,2 gpm (8,3 lpm)

**REQUISITOS GENERALES DE INSTALACIÓN, FUNCIONAMIENTO Y MANTENIMIENTO**

- Espacio requerido: 5" W x 15" H x 5" D (13 x 38 x 13 cm) incluyendo 2-1/2 pulgadas de espacio libre debajo de la unidad para el cambio de cartucho.
- Instale verticalmente con el cartucho suspendido hacia abajo.
- Use el largo mínimo posible de tubería.
- Lave el nuevo cartucho a caudal pleno durante tres minutos para purgar el aire.
- Reemplace los cartuchos cuando alcancen su capacidad, o cuando el flujo baje demasiado, pero al menos cada año.

**AVISOS ESPECIALES**

- Las instrucciones de instalación, la disponibilidad de piezas y servicio, y la garantía estándar se incluyen con el producto cuando se envía.
- Este sistema de agua potable se debe mantener según las instrucciones del fabricante, incluyendo el reemplazo de los cartuchos de filtro.
- No se debe utilizar con agua microbiológicamente insegura o de calidad desconocida sin la desinfección adecuada previa o posterior al paso por el sistema. Los sistemas certificados para la reducción de quistes pueden usarse en aguas desinfectadas que pudieran contener quistes filtrables.
- Todas las sustancias contaminantes que este sistema de tratamiento de agua elimina o reduce, no están necesariamente presentes en el agua que usted consume.
- Verifique el cumplimiento con las leyes y normas estatales y locales aplicables.
- Pruebas ejecutadas en condiciones estándar de laboratorio. El rendimiento real puede variar.
- El medio de adsorción agotado no se regenerará y usará.
- Si el medio de adsorción es afectado por el cloro, el suministro de agua se deberá tratar para eliminar el cloro antes de ingresar al filtro.

EPA Est. 002623-IL-002



C US

El EF-1500 está probado y certificado por NSF International bajo las normas CSA B483.1 y NSF/ANSI 42 y 53 en cuanto a las afirmaciones especificadas en la Hoja de datos sobre rendimiento.

## EVERPURE

### Cartucho EF-3000 - Pieza N.º EV985750 (paquete de 1)

**AVISO IMPORTANTE:** Lea esta Hoja de información sobre rendimiento y compare las capacidades de esta unidad con sus necesidades reales de tratamiento de agua. Se recomienda que antes de adquirir una unidad de tratamiento de agua, haga analizar su agua para determinar sus necesidades reales de tratamiento del agua.

#### CARACTERÍSTICAS

- Limpia adecuadamente el agua tratada y la convierte en agua de calidad superior para beber o cocinar.
- Reduce el gusto y el olor del cloro.
- Con certificado de la Norma 53 de NSF/ANSI para reducir los quistes como *Cryptosporidium* y *Giardia* por medios mecánicos.
- Reduce los sabores y olores frecuentes a tierra, moho y pescado.
- Reduce el plomo

#### DESEMPEÑO DE LA AFIRMACIÓN SOBRE SALUD CERTIFICADO POR NSF/ANSI\*

Este sistema ha sido analizado de acuerdo con las Normas NSF/ANSI 42 y 53 en cuanto a la reducción de las sustancias enumeradas a continuación. La concentración de las sustancias indicadas en el agua que entra al sistema se redujo a una concentración menor o igual a los límites permitidos para el agua que sale del sistema, como lo especifican las Normas NSF/ANSI 42 y 53.

Sustancia	Concentración de contaminantes en el agua prefiltrada	Concentración máx. permitida de productos en el agua	Necesidad de reducción	Reducción mínima	Reducción promedio
<b>Estándar 42, efectos estéticos</b>					
Cloro	2.0 mg/L ± 10%		> 50%		99.0%
Partículas clase I 0.5 a <1 µm	al menos 10,000 partículas/ml		> 85%		98.3%
<b>Estándar 53, efectos estéticos</b>					
Quistes	Mínimo 50,000/L		99.95%	99.99%	99.99%
Plomo 6.5	0.15 mg/L ± 10%	0.010 mg/L		93.2%	98.5%
Plomo 8.5	0.15 mg/L ± 10%	0.010 mg/L		99.9%	99.9%

\*Analizado en un caudal de servicio = 2.2 gpm, presión = 60 psig, pH = 7.5 ± 0.5, temp. = 20° ± 2.5°C

#### ESPECIFICACIONES DE FUNCIONAMIENTO

- Capacidad: 3000 galones (11,200 litros)
- Requisito de presión: 10-125 psi (0.7 - 8.6 bar), sin choque
- Temperatura: 35-100°F (2°-38°C)
- Caudal: 2,2 gpm (8,3 lpm)

#### REQUISITOS GENERALES DE INSTALACIÓN, FUNCIONAMIENTO Y MANTENIMIENTO

- Espacio requerido: 5" W x 20" H x 5" D (13 x 51 x 13 cm) incluyendo 2-1/2 pulgadas de espacio libre debajo de la unidad para el cambio de cartucho.
- Instale verticalmente con el cartucho suspendido hacia abajo.
- Use el largo mínimo posible de tubería.
- Lave el nuevo cartucho a caudal pleno durante tres minutos para purgar el aire.
- Reemplace los cartuchos cuando alcancen su capacidad, o cuando el flujo baje demasiado, pero al menos cada año.

#### AVISOS ESPECIALES

- Las instrucciones de instalación, la disponibilidad de piezas y servicio, y la garantía estándar se incluyen con el producto cuando se envía.
- Este sistema de agua potable se debe mantener según las instrucciones del fabricante, incluyendo el reemplazo de los cartuchos de filtro.
- No se debe utilizar con agua microbiológicamente insegura o de calidad desconocida sin la desinfección adecuada previa o posterior al paso por el sistema. Los sistemas certificados para la reducción de quistes pueden usarse en aguas que pudieran contener quistes filtrables.
- Todas las sustancias contaminantes que este sistema de tratamiento de agua elimina o reduce, no están necesariamente presentes en el agua que usted consume.
- Verifique el cumplimiento con las leyes y normas estatales y locales aplicables.
- Pruebas ejecutadas en condiciones estándar de laboratorio. El rendimiento real puede variar.
- El medio de adsorción agotado no se regenerará y usará.
- Si el medio de adsorción es afectado por el cloro, el suministro de agua se deberá tratar para eliminar el cloro antes de ingresar al filtro.

EPA Est. 002623-IL-002



El EF-3000 está probado y certificado por NSF International bajo las normas CSA B483.1 y NSF/ANSI 42 y 53 en cuanto a las afirmaciones especificadas en la Hoja de datos sobre rendimiento.

# EVERPURE

**Cartucho EF-6000 - Pieza N.º EV985550, EV985556 (paquete de 6)**

**AVISO IMPORTANTE:** Lea esta Hoja de información sobre rendimiento y compare las capacidades de esta unidad con sus necesidades reales de tratamiento de agua. Se recomienda que antes de adquirir una unidad de tratamiento de agua, haga analizar su agua para determinar sus necesidades reales de tratamiento del agua.

**CARACTERÍSTICAS**

- Limpia adecuadamente el agua tratada y la convierte en agua de calidad superior para beber o cocinar.
- Reduce el gusto y el olor del cloro.
- Con certificado de la Norma 53 de NSF/ANSI para reducir los quistes como *Cryptosporidium* y *Giardia* por medios mecánicos
- Reduce los sabores y olores frecuentes a tierra, moho y pescado.

**DESEMPEÑO DE LA AFIRMACIÓN SOBRE SALUD CERTIFICADO POR NSF/ANSI\***

Este sistema ha sido analizado de acuerdo con las Normas NSF/ANSI 42 y 53 en cuanto a la reducción de las sustancias enumeradas a continuación. La concentración de las sustancias indicadas en el agua que entra al sistema se redujo a una concentración menor o igual a los límites permitidos para el agua que sale del sistema, como lo especifican las Normas NSF/ANSI 42 y 53.

Sustancia	Concentración de contaminantes en el agua prefiltrada	Concentración máx. permitida de productos en el agua	Necesidad de reducción	Reducción mínima	Reducción promedio
<b>Estándar 42, efectos estéticos</b>					
Cloro	2.0 mg/L ± 10%		≥50%		97.4%
Partículas clase I 0.5 a <1 µm	al menos 10,000 partículas/ml		≥ 85%		99.9%
<b>Estándar 53, efectos estéticos</b>					
Quistes	Mínimo 50,000/L		99.95%	99.99%	99.99%
Plomo 8.5	0.15 mg/L ± 10%	0.010 mg/L		98%	98.9%
Plomo 6.5	0.15 mg/L ± 10%	0.010 mg/L		99.3%	99.3%

\*Analizado en un caudal de servicio = 1.67 gpm, presión = 60 psig, pH = 7.5 ± 0.5, temp. = 20° ± 2.5°C

**ESPECIFICACIONES DE FUNCIONAMIENTO**

- Capacidad: 6000 galones (22,712 litros)
- Requisito de presión: 10-125 psi (0.7 - 8.6 bar), sin choque
- Temperatura: 35-100°F (2°-38°C)
- Caudal: 1.67 gpm (6.32 lpm)

**REQUISITOS GENERALES DE INSTALACIÓN, FUNCIONAMIENTO Y MANTENIMIENTO**

- Espacio requerido: 5" W x 22" H x 5" D (13 x 56 x 13 cm) incluyendo 2-1/2 pulgadas de espacio libre debajo de la unidad para el cambio de cartucho.
- Instale verticalmente con el cartucho suspendido hacia abajo.
- Use el largo mínimo posible de tubería.
- Lave el nuevo cartucho a caudal pleno durante tres minutos para purgar el aire.
- Reemplace los cartuchos cuando alcancen su capacidad, o cuando el flujo baje demasiado, pero al menos cada año.

**AVISOS ESPECIALES**

- Las instrucciones de instalación, la disponibilidad de piezas y servicio, y la garantía estándar se incluyen con el producto cuando se envía.
- Este sistema de agua potable se debe mantener según las instrucciones del fabricante, incluyendo el reemplazo de los cartuchos de filtro.
- No se debe utilizar con agua microbiológicamente insegura o de calidad desconocida sin la desinfección adecuada previa o posterior al paso por el sistema. Los sistemas certificados para la reducción de quistes pueden usarse en aguas desinfectadas que pudieran contener quistes filtrables.
- Todas las sustancias contaminantes que este sistema de tratamiento de agua elimina o reduce, no están necesariamente presentes en el agua que usted consume.
- Verifique el cumplimiento con las leyes y normas estatales y locales aplicables.
- Pruebas ejecutadas en condiciones estándar de laboratorio. El rendimiento real puede variar.
- El medio de adsorción agotado no se regenerará y usará.
- Si el medio de adsorción es afectado por el cloro, el suministro de agua se deberá tratar para eliminar el cloro antes de ingresar al filtro.

EPA Est. 002623-IL-002



El EF-6000 está probado y certificado por NSF International bajo las normas CSA B483.1 y NSF/ANSI 42 y 53 en cuanto a las afirmaciones especificadas en la Hoja de datos sobre rendimiento.

Everpure par Pentair vous remercie de votre achat d'un filtre de qualité professionnelle pour votre logement. Avec votre système Everpure par Pentair, votre famille et vous pourrez facilement tirer directement à votre robinet, de l'eau de qualité supérieure au goût excellent et bonne pour la santé.

## CARACTÉRISTIQUES TECHNIQUES DU PRODUIT

- Pour usage sur eau froide uniquement
- Gammes de températures : 2 à 38°C
- Pression utile mini. – maxi. : 0.7-8.6 bar

EF-6000	6.32 lpm	22,712 liters, Ou au moins une fois par an.
EF-3000	8.3 lpm	11,200 liters, Ou au moins une fois par an.
EF-1500	8.3 lpm	5,600 liters, Ou au moins une fois par an.

Voir la fiche des données de performance où figurent davantage d'informations sur la performance et les spécifications.

## OUTILS NÉCESSAIRES À L'INSTALLATION

- Tournevis Phillips
- Clé à Molette
- Mètre à Ruban
- Crayon de Bois

## INSTRUCTIONS D'INSTALLATION DE BASE

### 1. Ouvrez le carton et inspectez les pièces

Pièces à installer

Repère	Description	No de pièce
1	QL3 tête de filtre	EV927082
2a	EF-1500 cartouche filtre	EV985850
2b	EF-3000 cartouche filtre	EV985750
2c	EF-6000 cartouche filtre	EV985550
3	2 rondelles de blocage	EV306204
4	2 vis	EV306196
5	Coude 3/8 po mâle x 3/8 po femelle	EV310852
6	2 raccords union 3/8 po x 1/2 po	EV312251
7	2 raccords union 3/8 po x 3/8 po	EV312250
8	Ruban plombier	EV312119
9	Compteur du filtre Everpure	EV314160

- Pour l'achat des produits consommables, veuillez contacter votre distributeur local

### 2. Vérifiez l'emplacement de montage sous l'évier

Mesurez 22 ou 15 pouces (selon la cartouche, voir les dimensions ci-dessous) depuis la base du placard et maquez l'emplacement de montage pour le haut de la tête du filtre. Assurez-vous qu'il y a assez d'espace au-dessus de la tête pour ouvrir et fermer le robinet d'arrêt intégré et pour éviter de faire un pli dans le tuyau d'arrivée d'eau. Assurez-vous également que l'emplacement choisi permet un accès facile pour changer les cartouches dans le futur.

DIMENSION	Largeur	Hauteur de montage	Profondeur
EF-1500	12.7 cm	38.1 cm	12.7 cm
EF-3000	12.7 cm	50.8 cm	12.7 cm
EF-6000	12.7 cm	55.88 cm	12.7 cm

**REMARQUE:** la tête et la cartouche doivent être montées en position verticale avec la cartouche dirigée vers le bas.

## NOTICES SPÉCIALES

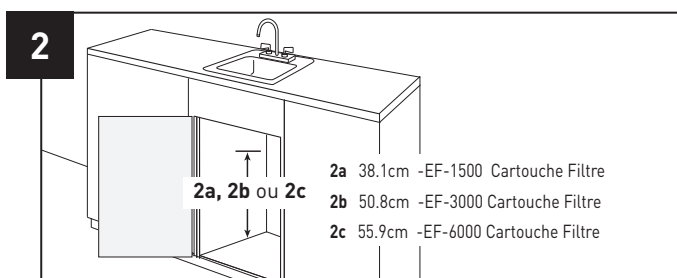
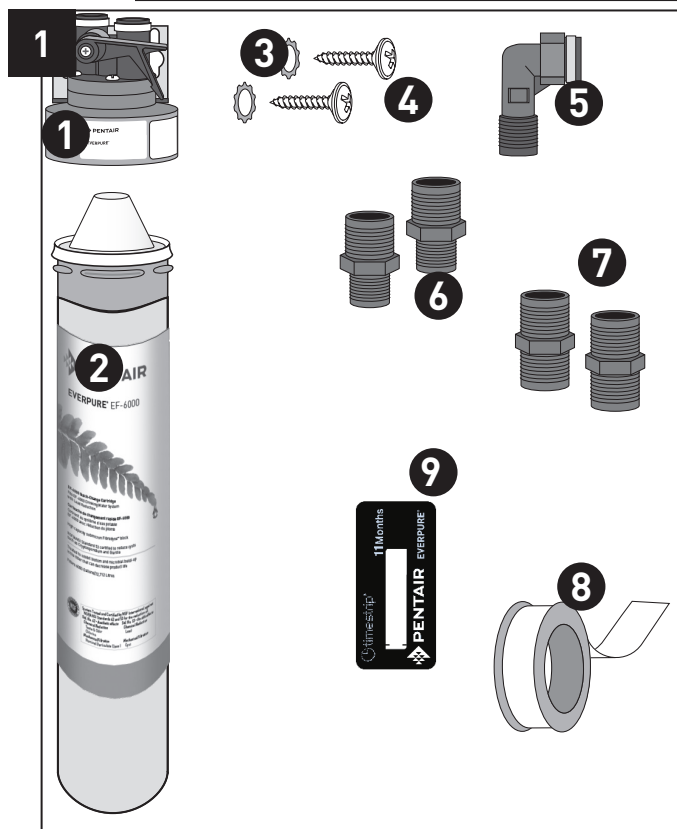
- Ne pas utiliser avec de l'eau insalubre sur le plan microbiologique ou de qualité inconnue sans désinfection adéquate avant ou après le système. Les systèmes certifiés pour réduction de spores peuvent être utilisés avec des eaux désinfectées pouvant contenir des pores filtrables.
- Assurez-vous d'observer les lois et réglementations provinciales et locales.
- Le terme « bactériostatique » indique que le système limite le passage ou la prolifération de bactéries pouvant exister déjà dans l'eau d'arrivée. Il ne signifie pas que l'eau quittant le système est plus salubre pour la boisson que l'eau arrivant dans le système.
- Le matériau d'adsorption ne peut être récupéré ni réutilisé.
- Si le matériau d'adsorption est affecté par le chlore, l'eau devrait être traitée afin que le chlore en soit éliminé avant qu'elle passe dans le filtre.

## AVERTISSEMENT AU SUJET DE LA PROPOSITION 65 DE CALIFORNIE:

**AVERTISSEMENT** Ce produit contient des produits chimiques que l'État de Californie considère comme carcinogènes et responsables d'anomalies congénitales et d'autres pathologies du système reproductif.



Les modèles EF-1500, EF-3000 et EF-6000 est mis à l'essai et homologué par NSF International en application des normes CSA B483.1 et NSF/ANSI 42, 53 et 401 pour la réduction des substances indiquées dans la fiche technique du produit.



## INSTRUCTIONS D'INSTALLATION DE BASE

### CONTINUÉ

#### 3. Montage de la tête de filtre sous l'évier

**REMARQUE:** deux jeux de raccords union sont compris afin de permettre le raccordement sur les raccords de 3/8 po de la tête. Si votre tuyau armé existant est muni de raccords de 1/2 po, servez-vous des raccords unions de 1/2 po x 3/8 po au lieu de ceux de 3/8 po x 3/8 po. Il vous restera deux raccords inutilisés quelle que soit votre installation. Les instructions suivantes se rapportent à une installation typique avec tuyau d'arrivée d'eau de 1/2 po.

- A. Enrobez de ruban plombier les petits filets de l'un des raccords union et vissez-le dans l'extrémité ouverte du coude. Enroulez le ruban dans le sens des filets pour assurer un bon serrage et éviter les petites fuites.
- B. Enrobez de ruban plombier les filets du coude et vissez-le du côté d'entrée (gauche) de la tête de filtre. Serrez à la main seulement.
- C. Enrobez de ruban plombier les petits filets du deuxième raccord union et vissez-le dans le côté droit de la tête de filtre de la même manière.
- D. Montez fermement la tête de filtre sur la paroi du placard à l'aide des vis et rondelles de montage fournies.

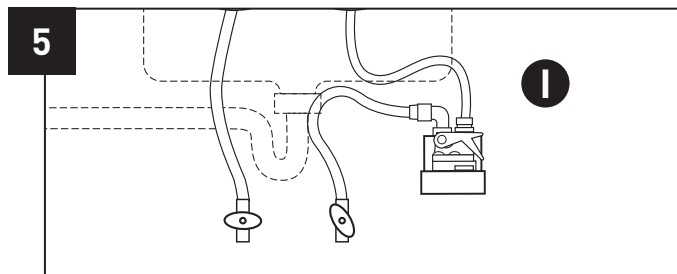
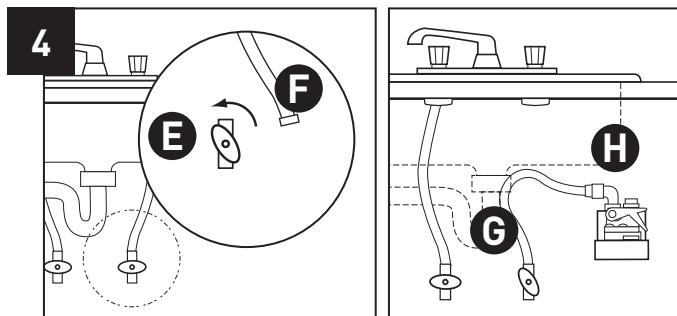
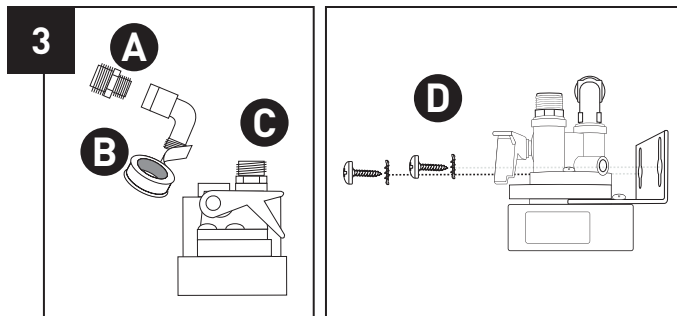
#### 4. Raccordement de l'arrivée d'eau

- E. Trouvez le robinet d'arrêt d'eau froide sous votre évier et fermez-le. Ouvrez le robinet d'eau froide pour décompresser le système.
- F. Dévissez et débranchez le tuyau armé raccordé à la partie supérieure du robinet d'arrêt d'eau froide.
- G. Raccordez une extrémité du nouveau tuyau armé à la partie supérieure du robinet d'arrêt d'eau froide.
- H. Raccordez l'autre extrémité du nouveau tuyau armé au côté entrée de la tête de filtre (raccords unions et coudes)

#### 5. Raccordement de l'eau filtrée à l'alimentation en eau froide du robinet

- I. Raccordez l'extrémité libre du tuyau armé existant au raccord union du côté sortie (à droite) de la nouvelle tête de filtre. Serrez à la main pour éviter d'abîmer les raccords.

#### 6. Installation et rinçage de la cartouche filtrante

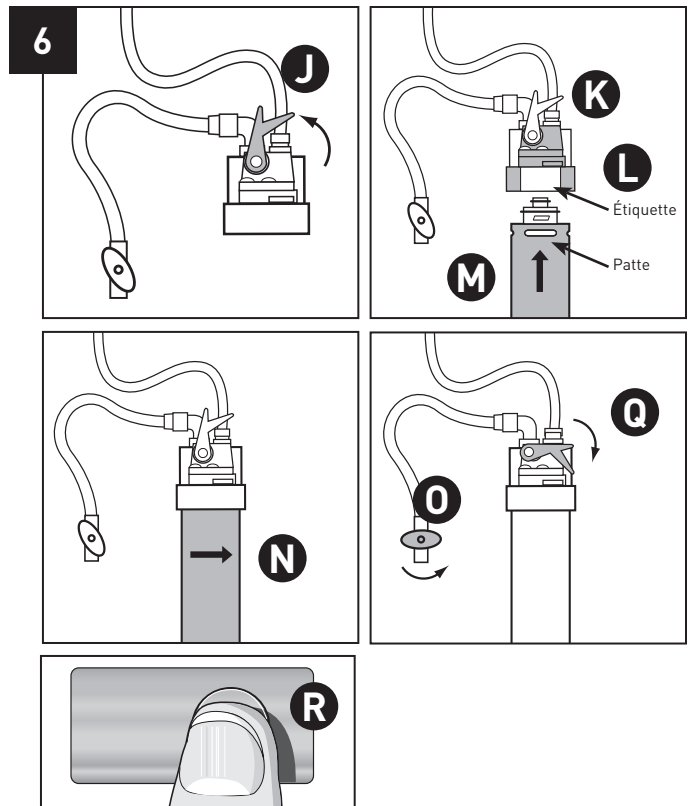


## INSTRUCTIONS D'INSTALLATION DE BASE *CONTINUÉ*

- J. Mettez la poignée du robinet d'arrêt intégré (robinet de contrôle) situé sur la tête en position haute.
- K. Tenez fermement la tête d'une main.
- L. Mettez la patte de la cartouche en face de l'étiquette située sur la tête de filtre.
- M. Enfoncez la cartouche filtrante en poussant vers le haut.
- N. Faites-la tourner vers la droite d'environ 1/4 tour jusqu'à ce qu'elle butte.
- O. Ouvrez le robinet d'arrêt d'eau froide et vérifiez qu'il n'y a pas de fuites jusqu'au coude d'entrée.
- P. Ouvrez le robinet (non illustré).
- Q. Mettez la poignée du robinet d'arrêt en position basse pour évacuer l'eau dans l'évier.

**REMARQUE: Rincez les cartouches filtrantes neuves pendant un minimum de 3 minutes pour éliminer l'air et les particules de carbone libres. Au début, il se peut que l'eau apparaisse laiteuse à cause de la présence d'air dans le filtre et les tuyaux. Si l'eau reste laiteuse après une semaine, veuillez contacter le services d'assistance technique d'Everpure pour assistance (800) 279-9404.**

- R. Activez le compteur du filtre en pinçant la bulle jusqu'à sentir un changement dans la résistance et jusqu'à ce que le temporisateur de filtre soit éjecté. En quelques secondes une ligne ROUGE fine apparaîtra dans la fenêtre blanche indiquant que le Timestrip® a été activé. Décollez la pellicule de protection et faites adhérer à l'emplacement désiré. Quand la fenêtre blanche est complètement remplie de ROUGE, il est temps de remplacer le produit.



**EVERPURE®**
**Cartouche EF-1500 – numéro de pièce EV985850**

**NOTICE IMPORTANTE :** Lisez la présente fiche technique du produit et comparez les capacités du système à vos besoins en traitement d'eau. Il est recommandé de faire analyser l'eau d'alimentation avant d'acheter un système de traitement d'eau afin de déterminer vos besoins réels en traitement d'eau.

**CARACTÉRISTIQUES**

- Améliore en finesse l'eau traitée afin d'en faire une eau de première qualité que l'on peut boire et utiliser pour cuisiner.
- Réduit le goût et l'odeur de chlore.
- Certifié selon la norme NSF/ANSI 53 pour réduire les kystes comme *Cryptosporidium* et *Giardia* par des moyens mécaniques.
- Réduit les goûts et odeurs courants de moisi, de terre et de poisson.

**CERTIFIÉ CONFORME AUX NORMES NSF/ANSI RELATIVES À LA RÉDUCTION SANITAIRE DES SUBSTANCES INDIQUÉES\***

Ce système a été mis à l'essai en application des normes NSF/ANSI 42 et 53 pour la réduction des substances indiquées ci-dessous. La concentration des substances indiquées dans l'eau entrant dans le système a été réduite à une concentration inférieure ou égale à la limite autorisée pour l'eau sortant du système, conformément aux normes NSF/ANSI 42 et 53.

Substance	Concentration infiltrante	Concentration maximale admissible du produit dans l'eau	Exigences de réduction	Réduction minimale	Réduction moyenne
<b>Norme 42 – Effets esthétiques</b>					
Chlore	2,0 mg/L ± 10 %		> 50 %		97,2%
Particules de classe 1, 0,5 à < 1 µm	Au moins 10 000 particules/ml		> 85 %		99,9%
<b>Norme 53 – Effets sur la santé</b>					
Kystes	Minimum de 50 000/L		99,95%	99,99%	99,99%
Plomb (pH 8,5)	0,15 mg/L ± 10 %	0,010 mg/L		98,1%	98,8%
Plomb (pH 6,5)	0,15 mg/L ± 10 %	0,010 mg/L		99,3%	99,3%

\*Essais à un débit de 2,2 gal./min, à une pression de 60 lb/po<sup>2</sup>, à un pH de 7,5 ± 0,5 et à une temp. de 20 ± 2,5 °C

**CARACTÉRISTIQUES DE FONCTIONNEMENT**

- Capacité : 5 600 litres (1 500 gallons)
- Pression requise : de 0,7 à 8,6 bar (de 10 à 125 lb/po<sup>2</sup>), sans chocs
- Température : de 2 à 38 °C (de 35 à 100 °F)
- Débit : 8,3 L/min (2,2 gal./min)

**EXIGENCES GÉNÉRALES EN MATIÈRE D'INSTALLATION, D'UTILISATION ET D'ENTRETIEN**

- Espace requis : 13 cm (5 po) de larg. x 38 cm (15 po) de haut. x 13 cm (5 po) de prof., ce qui inclut un dégagement de 6,35 cm (2 ½ po) sous le système pour permettre le remplacement de la cartouche.
- Installez le système à la verticale, la cartouche pendant vers le bas.
- Utilisez le moins de tuyau possible.
- Rincez la nouvelle cartouche à plein débit pendant trois minutes afin d'en chasser tout l'air.
- Remplacez les cartouches au moins une fois par année, ou lorsque leur capacité est atteinte ou que le débit ralentit trop.

**NOTICES SPÉCIALES**

- Les instructions d'installation, l'information relative à la disponibilité des pièces et du service offert ainsi que la garantie standard sont comprises avec le produit lorsqu'il est expédié.
- Ce système d'eau potable doit être entretenu conformément aux directives du fabricant, y compris le remplacement des cartouches filtrantes.
- N'utilisez pas le système avec de l'eau insalubre microbiologiquement ou de qualité inconnue sans désinfection adéquate avant ou après le système. Les systèmes homologués pour réduction de kystes peuvent être utilisés avec de l'eau pouvant contenir des kystes filtrables.
- Les contaminants ou autres substances retirées ou réduites par ce système de traitement d'eau ne sont pas forcément présents dans votre eau.
- Assurez-vous que l'installation est conforme aux lois et aux règlements de l'État et de la municipalité.
- Les essais ont été effectués dans des conditions de laboratoire standard; les résultats réels peuvent varier.
- Le matériau d'adsorption ne peut être récupéré ni réutilisé.
- Si le matériau d'adsorption est affecté par le chlore, l'eau devrait être traitée afin que le chlore en soit éliminé avant qu'elle passe dans le filtre.

Numéro d'établissement de l'EPA 002623-IL-002



C US

Le système EF-1500 est mis à l'essai et homologué par NSF International en application des normes CSA B483.1 et NSF/ANSI 42 et 53 pour la réduction des substances indiquées dans la fiche technique du produit.



## EVERPURE

### Cartouche EF-3000 – numéro de pièce EV985750 (emballage d'une cartouche)

**NOTICE IMPORTANTE :** Lisez la présente fiche technique du produit et comparez les capacités du système à vos besoins en traitement d'eau. Il est recommandé de faire analyser l'eau d'alimentation avant d'acheter un système de traitement d'eau afin de déterminer vos besoins réels de traitement d'eau.

#### CARACTÉRISTIQUES

- Améliore en finesse de l'eau traitée afin d'en faire une eau de première qualité que l'on peut boire et utiliser pour cuisiner.
- Réduit le goût et l'odeur de chlore.
- Certifié selon la norme NSF/ANSI 53 pour réduire les kystes comme *Cryptosporidium* et *Giardia* par des moyens mécaniques.
- Réduit les goûts et odeurs courants de moisi, de terre et de poisson.
- Réduit la quantité de plomb.

#### CERTIFIÉ CONFORME AUX NORMES NSF/ANSI RELATIVES À LA RÉDUCTION SANITAIRE DES SUBSTANCES INDIQUÉES\*

Ce système a été mis à l'essai en application des normes NSF/ANSI 42 et 53 pour la réduction des substances indiquées ci-dessous. La concentration des substances indiquées dans l'eau entrant dans le système a été réduite à une concentration inférieure ou égale à la limite autorisée pour l'eau sortant du système, conformément aux normes NSF/ANSI 42 et 53.

Substance	Concentration infiltrante	Concentration maximale admissible du produit dans l'eau	Exigences de réduction	Réduction minimale	Réduction moyenne
<b>Norme 42 – Effets esthétiques</b>					
Chlore	2,0 mg/L ± 10 %		≥ 50 %		99,0%
Particules de classe 1, 0,5 à < 1 µm	Au moins 10 000 particules/ml		≥ 85 %		98,3%
<b>Norme 53 – Effets sur la santé</b>					
Kystes	Minimum de 50 000/L		99,95%	99,99%	99,99%
Plomb (pH 6,5)	0,15 mg/L ± 10 %	0,010 mg/L		93,2%	98,5%
Plomb (pH 8,5)	0,15 mg/L ± 10 %	0,010 mg/L		99,9%	99,9%

\*Essais à un débit de 2,2 gal./min, à une pression de 60 lb/po<sup>2</sup>, à un pH de 7,5 ± 0,5 et à une temp. de 20 ± 2,5 °C

#### CARACTÉRISTIQUES DE FONCTIONNEMENT

- Capacité : 11 200 litres (3 000 gallons)
- Pression requise : de 0,7 à 8,6 bar (de 10 à 125 lb/po<sup>2</sup>), sans chocs
- Température : de 2 à 38 °C (de 35 à 100 °F)
- Débit : 8,3 L/min (2,2 gal./min)

#### EXIGENCES GÉNÉRALES EN MATIÈRE D'INSTALLATION, D'UTILISATION ET D'ENTRETIEN

- Espace requis : 13 cm (5 po) de larg. x 51 cm (20 po) de haut. x 13 cm (5 po) de prof., ce qui inclut un dégagement de 6,35 cm (2 ½ po) sous le système pour permettre le remplacement de la cartouche.
- Installez le système à la verticale, la cartouche pendant vers le bas.
- Utilisez le moins de tuyau possible.
- Rincez la nouvelle cartouche à plein débit pendant trois minutes afin d'en chasser tout l'air.
- Remplacez les cartouches au moins une fois par année, ou lorsque leur capacité est atteinte ou que le débit ralentit trop.

#### NOTICES SPÉCIALES

- Les instructions d'installation, l'information relative à la disponibilité des pièces et du service offert ainsi que la garantie standard sont comprises avec le produit lorsqu'il est expédié.
- Ce système d'eau potable doit être entretenu conformément aux directives du fabricant, y compris le remplacement des cartouches filtrantes.
- N'utilisez pas le système avec de l'eau insalubre microbiologiquement ou de qualité inconnue sans désinfection adéquate avant ou après le système. Les systèmes homologués pour réduction de kystes peuvent être utilisés avec de l'eau pouvant contenir des kystes filtrables.
- Les contaminants ou autres substances retirées ou réduites par ce système de traitement d'eau ne sont pas forcément présents dans votre eau.
- Assurez-vous que l'installation est conforme aux lois et aux règlements de l'État et de la municipalité.
- Les essais ont été effectués dans des conditions de laboratoire standard; les résultats réels peuvent varier.
- Le matériau d'adsorption ne peut être récupéré ni réutilisé.
- Si le matériau d'adsorption est affecté par le chlore, l'eau devrait être traitée afin que le chlore en soit éliminé avant qu'elle passe dans le filtre.

Numéro d'établissement de l'EPA 002623-IL-002



Le système EF-3000 est mis à l'essai et homologué par NSF International en application des normes CSA B483.1 et NSF/ANSI 42 et 53 pour la réduction des substances indiquées dans la fiche technique du produit.

## EVERPURE

### Cartouche EF-6000 – numéros de pièce EV985550 et EV985556 (emballage de six)

**NOTICE IMPORTANTE :** Lisez la présente fiche technique du produit et comparez les capacités du système à vos besoins en traitement d'eau. Il est recommandé de faire analyser l'eau d'alimentation avant d'acheter un système de traitement d'eau afin de déterminer vos besoins réels en traitement d'eau.

#### CARACTÉRISTIQUES

- Améliore en finesse l'eau traitée afin d'en faire une eau de première qualité que l'on peut boire et utiliser pour cuisiner.
- Réduit le goût et l'odeur de chlore.
- Certifié selon la norme NSF/ANSI 53 pour réduire les kystes comme *Cryptosporidium* et *Giardia* par des moyens mécaniques.
- Réduit les goûts et odeurs courants de moisi, de terre et de poisson.

#### CERTIFIÉ CONFORME AUX NORMES NSF/ANSI RELATIVES À LA RÉDUCTION SANITAIRE DES SUBSTANCES INDIQUÉES\*

Ce système a été mis à l'essai en application des normes NSF/ANSI 42 et 53 pour la réduction des substances indiquées ci-dessous. La concentration des substances indiquées dans l'eau entrant dans le système a été réduite à une concentration inférieure ou égale à la limite autorisée pour l'eau sortant du système, conformément aux normes NSF/ANSI 42 et 53.

Substance	Concentration infiltrante	Concentration maximale admissible du produit dans l'eau	Exigences de réduction	Réduction minimale	Réduction moyenne
<b>Norme 42 – Effets esthétiques</b>					
Chlore	2,0 mg/L ± 10 %		≥ 50 %		97,4 %
Particules de classe 1, 0,5 à < 1 µm	Au moins 10 000 particules/ml		≥ 85 %		99,9 %
<b>Norme 53 – Effets sur la santé</b>					
Kystes	Minimum de 50 000/L		99,95%	99,99%	99,99%
Plomb (pH 8,5)	0,15 mg/L ± 10 %	0,010 mg/L		98%	98,9%
Plomb (pH 6,5)	0,15 mg/L ± 10 %	0,010 mg/L		99,3%	99,3%

\*Essais à un débit de 1,67 gal./min, à une pression de 60 lb/po<sup>2</sup>, à un pH de 7,5 ± 0,5 et à une temp. de 20 ± 2,5 °C

#### CARACTÉRISTIQUES DE FONCTIONNEMENT

- Capacité : 22 712 litres (6 000 gallons)
- Pression requise : de 0,7 à 8,6 bar (de 10 à 125 lb/po<sup>2</sup>), sans chocs
- Température : de 2 à 38 °C (de 35 à 100 °F)
- Débit : 6,32 L/min (1,67 gal./min)

#### EXIGENCES GÉNÉRALES EN MATIÈRE D'INSTALLATION, D'UTILISATION ET D'ENTRETIEN

- Espace requis : 13 cm (5 po) de larg. x 56 cm (22 po) de haut. x 13 cm (5 po) de prof., ce qui inclut un dégagement de 6,35 cm (2 ½ po) sous le système pour permettre le remplacement de la cartouche.
- Installez le système à la verticale, la cartouche pendant vers le bas.
- Utilisez le moins de tuyau possible.
- Rincez la nouvelle cartouche à plein débit pendant trois minutes afin d'en chasser tout l'air.
- Remplacez les cartouches au moins une fois par année, ou lorsque leur capacité est atteinte ou que le débit ralentit trop.

#### NOTICES SPÉCIALES

- Les instructions d'installation, l'information relative à la disponibilité des pièces et du service offert ainsi que la garantie standard sont comprises avec le produit lorsqu'il est expédié.
- Ce système d'eau potable doit être entretenu conformément aux directives du fabricant, y compris le remplacement des cartouches filtrantes.
- N'utilisez pas le système avec de l'eau insalubre microbiologiquement ou de qualité inconnue sans désinfection adéquate avant ou après le système. Les systèmes homologués pour réduction de kystes peuvent être utilisés avec de l'eau pouvant contenir des kystes filtrables.
- Les contaminants ou autres substances retirées ou réduites par ce système de traitement d'eau ne sont pas forcément présents dans votre eau.
- Assurez-vous que l'installation est conforme aux lois et aux règlements de l'État et de la municipalité.
- Les essais ont été effectués dans des conditions de laboratoire standard; les résultats réels peuvent varier.
- Le matériau d'adsorption ne peut être récupéré ni réutilisé.
- Si le matériau d'adsorption est affecté par le chlore, l'eau devrait être traitée afin que le chlore en soit éliminé avant qu'elle passe dans le filtre.

Numéro d'établissement de l'EPA 002623-IL-002



Le système EF-6000 est mis à l'essai et homologué par NSF International en application des normes CSA B483.1 et NSF/ANSI 42 et 53 pour la réduction des substances indiquées dans la fiche technique du produit.



For Everpure® Product Warranties visit: } [www.everpure.com](http://www.everpure.com)  
Everpure para las gasantías de los productos visite: }  
Pour Everpure garanties produit visitez le site: }



13845 BISHOPS DR., SUITE 200, BROOKFIELD, WI 53005  
EVERPURE.COM | CUSTOMER CARE: 800.279.9404 | tech-support@pentair.com  
©2023 Pentair Residential Filtration, LLC. All rights reserved.

®For a detailed list of where Pentair trademarks are registered, please visit [waterpurification.pentair.com/brands](http://waterpurification.pentair.com/brands).  
Pentair trademarks and logos are owned by Pentair plc or its affiliates.

Third party registered and unregistered trademarks and logos are the property of their respective owners.  
4004794 REV C DE23