

Orvis series PFXC7011

Single Handle Pull-Down Kitchen Faucet



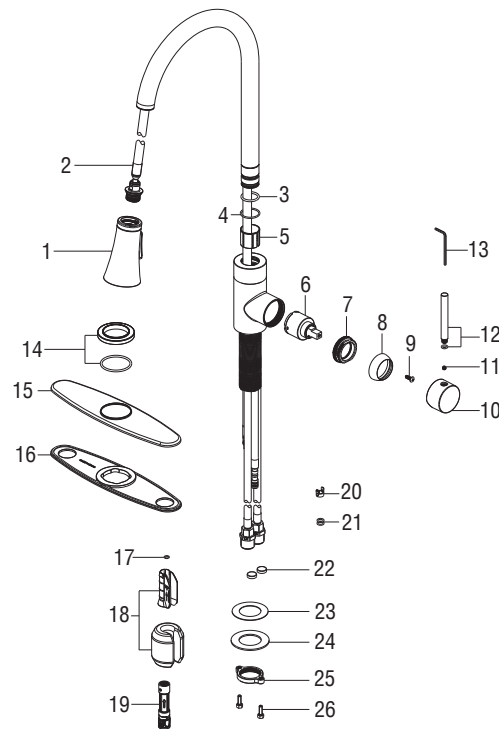
PFXC7011CP

Model Numbers

PFXC7011CP chrome
 PFXC7011BN brushed nickel

*** Specify Finish**

| No. | Item | Part Number |
|-----|------------------------|-------------|
| 1 | Sprayhead | PFXC38214* |
| 2 | Hose | PFX70462 |
| 3 | O-ring | RP60050 |
| 4 | O-ring | RP60106 |
| 5 | Ring | RP70458 |
| 6 | Cartridge | PF3357061 |
| 7 | Bonnet | RP70304 |
| 8 | Cap | RP80132* |
| 9 | Screw | RP50015 |
| 10 | Handle Seat | RP17126* |
| 11 | Set Screw | RP50002 |
| 12 | Handle | RP13334* |
| 13 | 2.5mm Hex Allen Wrench | RP70221 |
| 14 | Flange | RP80079* |
| 15 | Escutcheon | RP80427* |
| 16 | Base Plate | RP70188 |



| No. | Item | Part Number |
|-----|-----------------|-------------|
| 17 | O-ring | RP60089 |
| 18 | Weights | MIR70525 |
| 19 | Quick Connector | MIR70429 |
| 20 | Block | RP70421 |
| 21 | O-ring | RP60002 |
| 22 | Screen Washer | RP70072 |
| 23 | Plastic Washer | RP64131 |
| 24 | Metal Washer | RP64111 |
| 25 | Nut | RP56077 |
| 26 | Screw | RP50004 |

Warranty and Codes

This product comes complete with installation, operating, care and maintenance instructions. This PROFLO faucet carries a limited lifetime warranty when installed in residential applications. The warranty is five years in commercial applications. This product meets ASME: A112.18.1. *Compliant with lead content requirements of California AB 1953.

