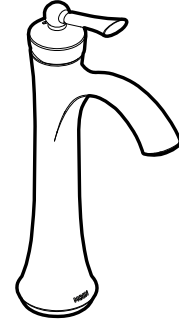




Buy it for looks. Buy it for life.®

# Specifications



## WYNFORD™ Single-Handle Lavatory Faucet

**Models:** 4507 series  
with metal waste assembly

**NOTE:** THIS FAUCET IS DESIGNED TO BE  
INSTALLED THRU 1 HOLE, 1-1/4" MIN. DIA.



### DESCRIPTION

- Metal construction with various finishes identified by suffix
- 24" Flexible supplies with 3/8" compression fittings

### OPERATION

- Temperature controlled by 100° arc of handle travel

### FLOW

- Aerator is limited to 1.5 gpm (5.7 L/min) at 60 psi

### CARTRIDGE

- 1255™ Duralast™ cartridge for Single-Handle Faucets

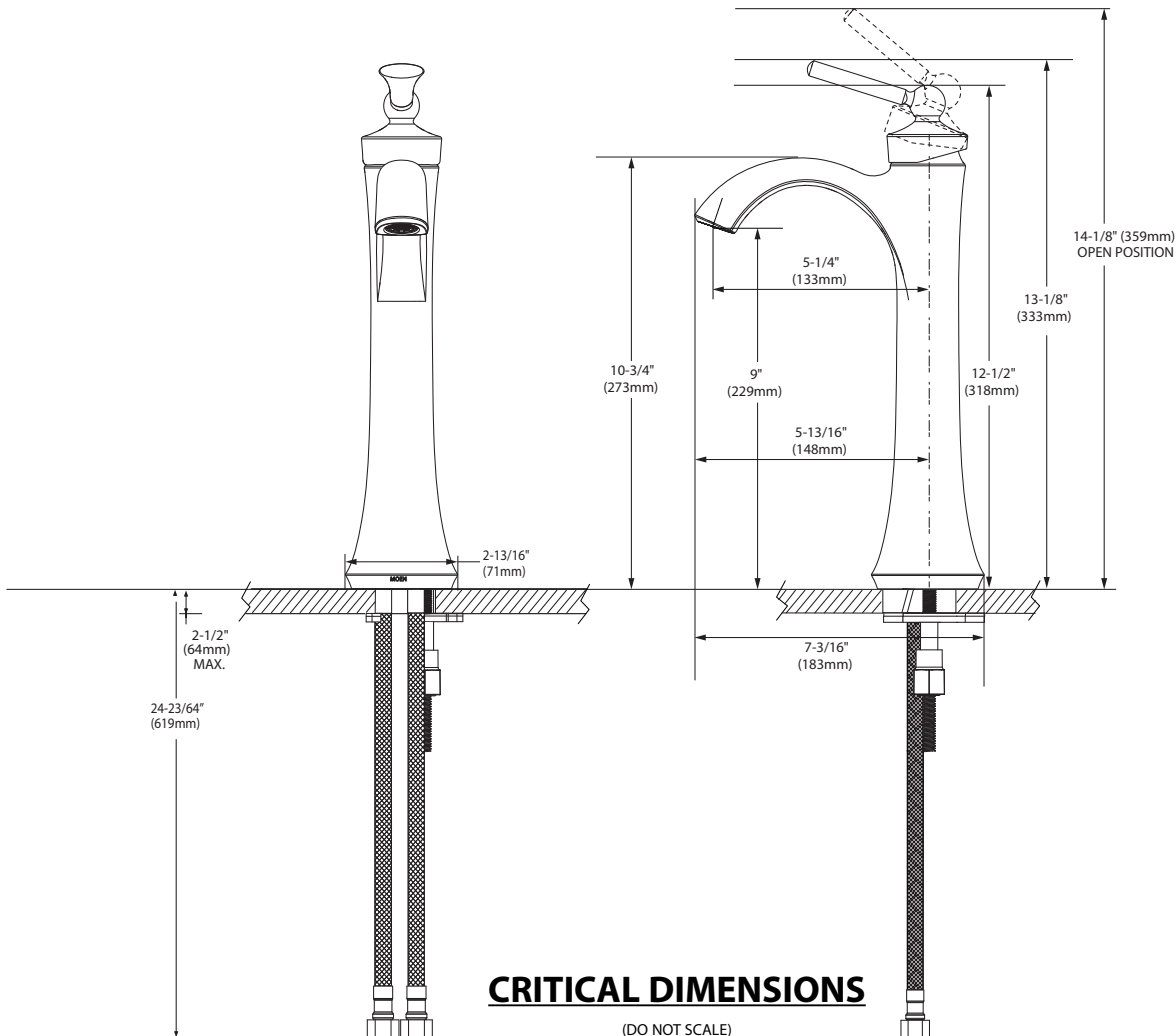
### STANDARDS

- Third party certified to WaterSense,® ASME A112.18.1/CSA B125.1 and all applicable requirements referenced therein including NSF61/9 & 372
- Contains no more than 0.25% weighted average lead content
- Complies with California Proposition 65 and with the Federal Safe Drinking Water Act

- **ADA** for lever handle

### WARRANTY

- Lifetime limited warranty against leaks, drips and finish defects to the original consumer purchaser
- 5 year warranty if used in commercial installations



FOR MORE INFORMATION CALL: 1-800-BUY-MOEN

www.moen.com