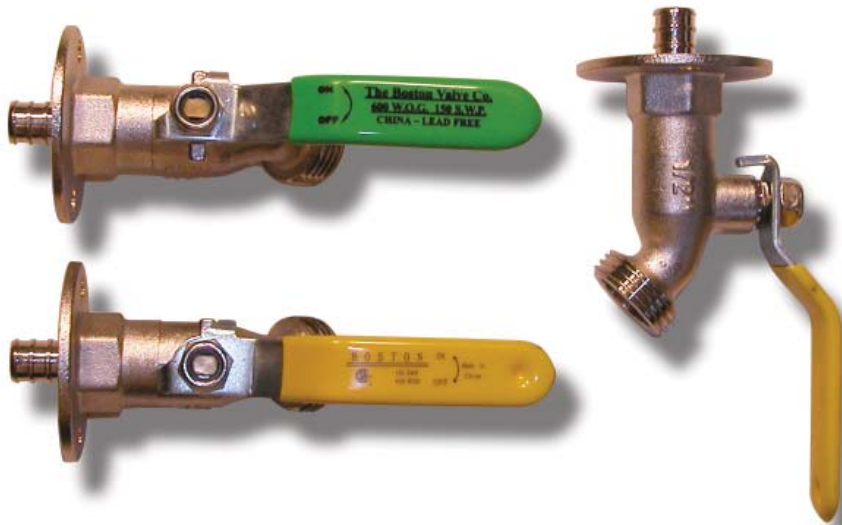




PSCLF, TSCLF, SSCLF



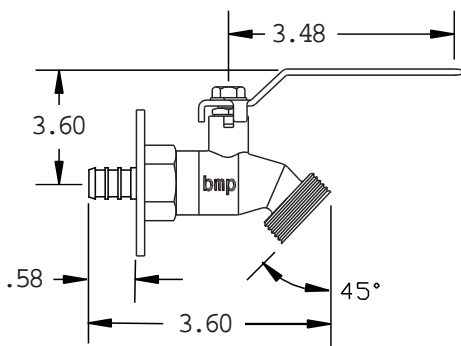
THE BOSTON VALVE Co.

A DIVISION OF BOSTON METAL PRODUCTS, LTD.
25 THURBER BLVD., UNIT #3
SMITHFIELD, RI 02917

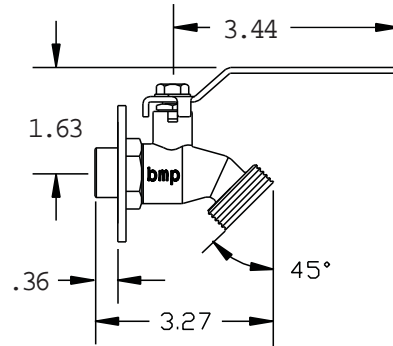
TOLL FREE: 1-800-839-0013, TEL: 401-231-8537
FAX: 401-231-8491
WWW.BOSTONVALVE.COM

PSCLF, TSCLF & SSCLF SERIES CHROME 1/2 INCH SILLCOCKS

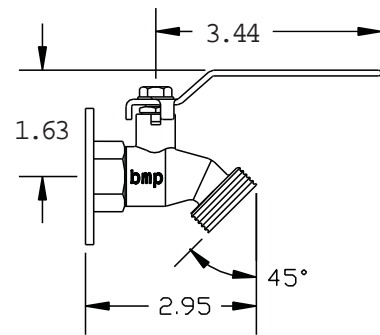
A quality quarter turn brass valve with solder joint ends,
aluminum wing style T handle, and double O-ring stem seal



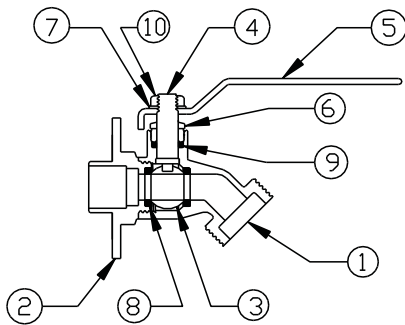
PSC0501000LF



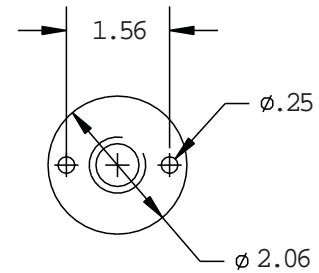
SSC0501000LF



TSC0501000LF



CAT. NO.
PSC0501000LF
SSC0501000LF
TSC0501000LF



MOUNTING

MATERIALS

NO.	PART NAME	PSCLF, TSCLF & SSCLF SERIES MATERIALS
10	NUT	STEEL, ZINC PLATED
9	STEM PACKING	PTFE
8	SEAT	PTFE
7	LOCK WASHER	STEEL, ZINC PLATED
6	GLAND NUT	BRASS
5	HANDLE	STEEL, ZINC PLATED, PLASTICOATED
4	STEM	BRASS
3	BALL	BRASS46400, CHROME PLATED
2	FLANGED CAP	BRASS46400, CHROME PLATED
1	BODY	BRASS46400, CHROME PLATED