



# RP14

Parts List  
01-August-2017



*This parts list is current as of the above revision date.  
See <http://www.rheempartslists.net/92-42800-RP14.pdf> for the current revision.*

Heat Pumps

# Table of Contents

Model Explanation .....	Page 3
<b>Parts Numbers</b>	
Panels (1) .....	Page 4
Panels (2) .....	Page 5
Panels (3) .....	Page 6
Panels (4) .....	Page 7
Electrical-Fan Group (1) .....	Page 8
Electrical-Fan Group (2) .....	Page 9
Electrical-Fan Group (3) .....	Page 10
Coil Parts (1) .....	Page 11
Coil Parts (2) .....	Page 12
Coil Parts (3) .....	Page 13
Coil Parts (4) .....	Page 14
Compressor Group (1) .....	Page 15
Compressor Group (2) .....	Page 16
Compressor Group (3) .....	Page 17
Accessories (1) .....	Page 18
Accessories (2) .....	Page 19
<b>Drawings/Photographs</b>	
Exploded View .....	Page 20
Control Box (1) .....	Page 21
Control Box (2) .....	Page 21
Valve Mounting, Compressor .....	Page 22
Distributor-Piston Variants .....	Page 23
TXV Variants .....	Page 24
Notes/Disclaimer .....	Page 25

**MODEL NUMBER EXPLANATION**

<b>R</b>	<b>P</b>	<b>1</b>	<b>4</b>	<b>1</b>	<b>8</b>	<b>A</b>	<b>J</b>	<b>1</b>	<b>N</b>	<b>A</b>
<b>1</b>	<b>2</b>	<b>3</b>	<b>4</b>	<b>5</b>	<b>6</b>	<b>7</b>	<b>8</b>	<b>9</b>	<b>0</b>	<b>1</b>

- |   |  |
|---|--|
| <p>(1) <b>Brand</b></p> <p>(2) <b>Product Category</b><br/>P = Heat Pump</p> <p>(3) <b>Seer</b><br/>14 = 14 SEER</p> <p>(4) <b>COOLING CAPACITY (BTU/HR)</b><br/>018 = 18,000<br/>024 = 24,000<br/>030 = 30,000<br/>036 = 36,000<br/>042 = 42,000<br/>048 = 48,000<br/>060 = 60,000</p> | <p>(5) <b>MAJOR SERIES</b><br/>A = First Design Series<br/>F = PSC AHU/Furnace Coil Series</p> <p>(6) <b>VOLTAGE</b><br/>J = 208-230/1/60<br/>C = 208-230/3/60<br/>D = 460/3/60</p> <p>(7) <b>TYPE</b><br/>1 = Single Stage<br/>P = Piston</p> <p>(8) <b>CONTROLS</b><br/>N = Non-Communicating</p> <p>(9) <b>MINOR SERIES</b><br/>A = First Design Series</p> |
|---|--|

**SERIAL NUMBER EXPLANATION**

<b>W</b>	<b>0</b>	<b>8</b>	<b>1</b>	<b>3</b>	<b>9</b>	<b>9</b>	<b>9</b>	<b>9</b>
(1)	(2)	(3)	(4)	(5)	(6)	(7)	(8)	(9)

- (1) **PLANT CODE**  
W = West Nuevo Laredo
- (2) **WEEK OF PRODUCTION**
- (3) **YEAR OF PRODUCTION**
- (4) **PRODUCTION NUMBER**

**Note: For Compressor Identification Number, see Compressor Code on Rating Plate**

No.	Notes	MODEL COOLING CAPACITY VARIATION	RP14	RP14	RP14	RP14	RP14	RP14
			18 AJ1NA	18 BJ1NA	24 AJ1NA	30 AJ1NA	36 AJ1NA	42 AJ1NA
<b>SHEET METAL PARTS, MISCELLANEOUS</b>								
1		Front Panel	AE-104456-07	AE-104456-07	AE-104456-07	AE-104456-07	AE-104456-03	AE-104456-03
2		Left Panel (Badge Panel)	AE-104456-09	AE-104456-09	AE-104456-09	AE-104456-09	AE-104456-21	AE-104456-21
3		Back Panel	AE-104456-08	AE-104456-08	AE-104456-08	AE-104456-08	AE-104456-04	AE-104456-04
4		Right Panel	AE-104456-10	AE-104456-10	AE-104456-10	AE-104456-07	AE-104456-03	AE-104456-03
5		Base Pan	68-104457-01	68-104457-01	68-104457-01	68-104457-01	68-104457-02	68-104457-02
6		Control Box - Before W1017	AE-104461-01	N/A	AE-104461-01	AE-104461-01	AE-104461-01	AE-104461-01
6		Control Box - On or After W1017	AE-104461-05	AE-104461-05	AE-104461-05	AE-104461-05	AE-104461-05	AE-104461-05
7		Control Box Cover	AS-104462-01 H	AS-104462-01 H	AS-104462-01 H	AS-104462-01 H	AS-104462-01 H	AS-104462-01 H
8		Control Box Bracket	AS-104460-01 H	AS-104460-01 H	AS-104460-01 H	AS-104460-01 H	AS-104460-02 H	AS-104460-02 H
9		Service Door	AS-104525-01 H	AS-104525-01 H	AS-104525-01 H	AS-104525-01 H	AS-104525-01 H	AS-104525-01 H
10		Center Post (2)	AS-104459-01 H	AS-104459-01 H	AS-104459-01 H	AS-104459-01 H	AS-104459-03 H	AS-104459-03 H
12		Corner Post - Solid	AS-104469-08 H (1)	AS-104469-08 H (1)	AS-104469-08 H (1)	N/A	N/A	N/A
12		Corner Post - Louvered	AS-104469-01 H (2)	AS-104469-01 H (2)	AS-104469-01 H (2)	AS-104469-01 H (3)	AS-104469-02 H (3)	AS-104469-02 H (3)
13		Top Panel	AS-104458-01 H	AS-104458-01 H	AS-104458-01 H	AS-104458-01 H	AS-104458-02 H	AS-104458-02 H
14		Venturi	68-104464-02	68-104464-02	68-104464-02	68-104464-02	68-104464-04	68-104464-04
15		Grille	95-104620-01	95-104620-01	95-104620-01	95-104620-01	95-104620-02	95-104620-02
		Center Cap - Blank (for Grille)	91-101123-00	91-105471-01	91-101123-00	91-101123-00	91-101123-00	91-101123-00
		Service Valve - Suction	See Coil Group					
		Service Valve - Liquid	See Coil Group					
		Touch-up Paint - Granite/Steel Gray (Aerosol)	PD523018	PD523018	PD523018	PD523018	PD523018	PD523018
		Touch-up Paint - Granite/Steel Gray (Paint Pens)	PD523019	PD523019	PD523019	PD523019	PD523019	PD523019

No.	Notes	MODEL COOLING CAPACITY VARIATION	RP14	RP14				
			48 AJ1NA	60 AJ1NA				
<b>SHEET METAL PARTS, MISCELLANEOUS</b>								
1		Front Panel	AE-104456-25	AE-104456-43				
2		Left Panel (Badge Panel)	AE-104456-41	AE-104456-56				
3		Back Panel	AE-104456-26	AE-104456-44				
4		Right Panel	AE-104456-25	AE-104456-43				
5		Base Pan	68-104457-02	68-104457-03				
6		Control Box - Before W1017	AE-104461-01	AE-104461-01				
6		Control Box - On or After W1017	AE-104461-05	AE-104461-05				
7		Control Box Cover	AS-104462-01 H	AS-104462-01 H				
8		Control Box Bracket	AS-104460-04 H	AS-104460-05 H				
9		Service Door	AS-104525-01 H	AS-104525-01 H				
10		Center Post (2)	AS-104459-07 H	AS-104459-09 H				
12		Corner Post - Louvered	AS-104469-04 H (3)	AS-104469-05 H (3)				
13		Top Panel	AS-104458-02 H	AS-104458-03 H				
14		Venturi	68-104464-04	68-104464-05				
15		Grille	95-104620-02	95-104620-03				
		Center Cap - Blank (for Grille)	91-101123-00	91-101123-00				
		Service Valve - Suction	See Coil Group					
		Service Valve - Liquid	See Coil Group					
		Touch-up Paint - Granite/Steel Gray (Aerosol)	PD523018					
		Touch-up Paint - Granite/Steel Gray (Paint Pens)	PD523019					

No.	Notes	MODEL COOLING CAPACITY VARIATION	RP14	RP14	RP14	RP14	RP14	RP14	
			18 FJ1NA	24 FJ1NA	30 FJ1NA	36 FJ1NA	42 FJ1NA	48 FJ1NA	
<b>SHEET METAL PARTS, MISCELLANEOUS</b>									
1		Front Panel	AE-104456-07	AE-104456-07	AE-104456-22	AE-104456-25	AE-104456-25	AE-104456-43	
2		Left Panel (Badge Panel)	AE-104456-09	AE-104456-09	AE-104456-24	AE-104456-41	AE-104456-41	AE-104456-56	
3		Back Panel	AE-104456-08	AE-104456-08	AE-104456-23	AE-104456-26	AE-104456-26	AE-104456-44	
4		Right Panel	AE-104456-10	AE-104456-07	AE-104456-22	AE-104456-25	AE-104456-25	AE-104456-43	
5		Base Pan	68-104457-01	68-104457-01	68-104457-02	68-104457-02	68-104457-02	68-104457-03	
6		Control Box - Before W1017	AE-104461-01	AE-104461-01	AE-104461-01	AE-104461-01	AE-104461-01	AE-104461-01	
6		Control Box - On or After W1017	AE-104461-05	AE-104461-05	AE-104461-05	AE-104461-05	AE-104461-05	AE-104461-05	
7		Control Box Cover	AS-104462-01 H	AS-104462-01 H	AS-104462-01 H	AS-104462-01 H	AS-104462-01 H	AS-104462-01 H	
8		Control Box Bracket	AS-104460-01 H	AS-104460-01 H	AS-104460-03 H	AS-104460-04 H	AS-104460-04 H	AS-104460-05 H	
9		Service Door	AS-104525-01 H	AS-104525-01 H	AS-104525-01 H	AS-104525-01 H	AS-104525-01 H	AS-104525-01 H	
10		Center Post (2)	AS-104459-01 H	AS-104459-01 H	AS-104459-05 H	AS-104459-07 H	AS-104459-07 H	AS-104459-09 H	
12		Corner Post - Solid	AS-104469-08 H (1)	N/A	N/A	N/A	N/A	N/A	
12		Corner Post - Louvered	AS-104469-01 H (2)	AS-104469-01 H (3)	AS-104469-03 H (3)	AS-104469-04 H (3)	AS-104469-04 H (3)	AS-104469-05 H (3)	
13		Top Panel	AS-104458-01 H	AS-104458-01 H	AS-104458-02 H	AS-104458-02 H	AS-104458-02 H	AS-104458-03 H	
14		Venturi	68-104464-02	68-104464-02	68-104464-04	68-104464-06	68-104464-04	68-104464-07	
15		Grille	95-104620-01	95-104620-01	95-104620-02	95-104620-02	95-104620-02	95-104620-03	
		Center Cap - Blank (for Grille)	91-105471-01	91-105471-01	91-105471-01	91-105471-01	91-105471-01	91-105471-01	
		Service Valve - Suction	See Coil Group						
		Service Valve - Liquid	See Coil Group						
		Touch-up Paint - Granite/Steel Gray (Aerosol)	PD523018	PD523018	PD523018	PD523018	PD523018	PD523018	
		Touch-up Paint - Granite/Steel Gray (Paint Pens)	PD523019	PD523019	PD523019	PD523019	PD523019	PD523019	

No.	Notes	MODEL COOLING CAPACITY VARIATION	RP14	RP14	RP14	RP14	RP14		
			60 FC1NA	36 FC1NA	42 FC1NA	48 FC1NA	60 FC1NA		
<b>SHEET METAL PARTS, MISCELLANEOUS</b>									
1		Front Panel	AE-104456-46	AE-104456-25	AE-104456-25	AE-104456-43	AE-104456-46		
2		Left Panel (Badge Panel)	AE-104456-57	AE-104456-41	AE-104456-41	AE-104456-56	AE-104456-57		
3		Back Panel	AE-104456-47	AE-104456-26	AE-104456-26	AE-104456-44	AE-104456-47		
4		Right Panel	AE-104456-46	AE-104456-25	AE-104456-25	AE-104456-43	AE-104456-46		
5		Base Pan	68-104457-03	68-104457-02	68-104457-02	68-104457-03	68-104457-03		
6		Control Box - Before W1017	AE-104461-01	AE-104461-01	AE-104461-01	AE-104461-01	AE-104461-01		
6		Control Box - On or After W1017	AE-104461-05	AE-104461-05	AE-104461-05	AE-104461-05	AE-104461-05		
7		Control Box Cover	AS-104462-01 H	AS-104462-01 H	AS-104462-01 H	AS-104462-01 H	AS-104462-01 H		
8		Control Box Bracket	AS-104460-06 H	AS-104460-04 H	AS-104460-04 H	AS-104460-05 H	AS-104460-06 H		
9		Service Door	AS-104525-01 H	AS-104525-01 H	AS-104525-01 H	AS-104525-01 H	AS-104525-01 H		
10		Center Post (2)	AS-104459-11 H	AS-104459-07 H	AS-104459-07 H	AS-104459-09 H	AS-104459-11 H		
12		Corner Post - Louvered	AS-104469-06 H (3)	AS-104469-04 H (3)	AS-104469-04 H (3)	AS-104469-05 H (3)	AS-104469-06 H (3)		
13		Top Panel	AS-104458-03 H	AS-104458-02 H	AS-104458-02 H	AS-104458-03 H	AS-104458-03 H		
14		Venturi	68-104464-05	68-104464-06	68-104464-04	68-104464-07	68-104464-05		
15		Grille	95-104620-03	95-104620-02	95-104620-02	95-104620-03	95-104620-03		
		Center Cap - Blank (for Grille)	91-105471-01	91-105471-01	91-105471-01	91-105471-01	91-105471-01		
		Service Valve - Suction	See Coil Group						
		Service Valve - Liquid	See Coil Group						
		Touch-up Paint - Granite/Steel Gray (Aerosol)	PD523018	PD523018	PD523018	PD523018	PD523018		
		Touch-up Paint - Granite/Steel Gray (Paint Pens)	PD523019	PD523019	PD523019	PD523019	PD523019		

No.	Notes	MODEL COOLING CAPACITY VARIATION	RP14	RP14	RP14	RP14
			36 AC1NA	42 AC1NA	48 AC1NA	60 AC1NA
<b>SHEET METAL PARTS, MISCELLANEOUS</b>						
1		Front Panel	AE-104456-03	AE-104456-03	AE-104456-25	AE-104456-43
2		Left Panel (Badge Panel)	AE-104456-21	AE-104456-21	AE-104456-41	AE-104456-56
3		Back Panel	AE-104456-04	AE-104456-04	AE-104456-26	AE-104456-44
4		Right Panel	AE-104456-03	AE-104456-35	AE-104456-25	AE-104456-43
5		Base Pan	68-104457-02	68-104457-02	68-104457-02	68-104457-03
6		Control Box - Before W1017	AE-104461-01	AE-104461-01	AE-104461-01	AE-104461-01
6		Control Box - On or After W1017	AE-104461-05	AE-104461-05	AE-104461-05	AE-104461-05
7		Control Box Cover	AS-104462-01 H	AS-104462-01 H	AS-104462-01 H	AS-104462-01 H
8		Control Box Bracket	AS-104460-02 H	AS-104460-02 H	AS-104460-04 H	AS-104460-05 H
9		Service Door	AS-104525-01 H	AS-104525-01 H	AS-104525-01 H	AS-104525-01 H
10		Center Post (2)	AS-104459-03 H	AS-104459-03 H	AS-104459-07 H	AS-104459-09 H
12		Corner Post - Louvered	AS-104469-02 H (3)	AS-104469-02 H (3)	AS-104469-04 H (3)	AS-104469-05 H (5)
13		Top Panel	AS-104458-02 H	AS-104458-02 H	AS-104458-02 H	AS-104458-03 H
14		Venturi	68-104464-04	68-104464-04	68-104464-04	68-104464-05
15		Grille	95-104620-02	95-104620-02	95-104620-02	95-104620-03
		Center Cap - Blank (for Grille)	91-101123-00	91-101123-00	91-101123-00	91-101123-00
		Service Valve - Suction	See Coil Group			
		Service Valve - Liquid	See Coil Group			
		Touch-up Paint - Granite/Steel Gray (Aerosol)	PD523018	PD523018	PD523018	PD523018
		Touch-up Paint - Granite/Steel Gray (Paint Pens)	PD523019	PD523019	PD523019	PD523019

No.	Notes	MODEL COOLING CAPACITY VARIATION	RP14	RP14	RP14	RP14
			36 AD1NA	42 AD1NA	48 AD1NA	60 AD1NA
<b>SHEET METAL PARTS, MISCELLANEOUS</b>						
1		Front Panel	AE-104456-03	AE-104456-03	AE-104456-25	AE-104456-43
2		Left Panel (Badge Panel)	AE-104456-21	AE-104456-21	AE-104456-41	AE-104456-56
3		Back Panel	AE-104456-04	AE-104456-04	AE-104456-26	AE-104456-44
4		Right Panel	AE-104456-03	AE-104456-03	AE-104456-25	AE-104456-43
5		Base Pan	68-104457-02	68-104457-02	68-104457-02	68-104457-03
6		Control Box - Before W1017	AE-104461-01	AE-104461-01	AE-104461-01	AE-104461-01
6		Control Box - On or After W1017	AE-104461-05	AE-104461-05	AE-104461-05	AE-104461-05
7		Control Box Cover	AS-104462-01 H	AS-104462-01 H	AS-104462-01 H	AS-104462-01 H
8		Control Box Bracket	AS-104460-02 H	AS-104460-02 H	AS-104460-04 H	AS-104460-05 H
9		Service Door	AS-104525-01 H	AS-104525-01 H	AS-104525-01 H	AS-104525-01 H
10		Center Post (2)	AS-104459-03 H	AS-104459-03 H	AS-104459-07 H	AS-104459-09 H
12		Corner Post - Louvered	AS-104469-02 H (3)	AS-104469-02 H (3)	AS-104469-04 H (3)	AS-104469-05 H (5)
13		Top Panel	AS-104458-02 H	AS-104458-02 H	AS-104458-02 H	AS-104458-03 H
14		Venturi	68-104464-04	68-104464-04	68-104464-04	68-104464-05
15		Grille	95-104620-02	95-104620-02	95-104620-02	95-104620-03
		Center Cap - Blank (for Grille)	91-101123-00	91-101123-00	91-101123-00	91-101123-00
		Service Valve - Suction	See Coil Group			
		Service Valve - Liquid	See Coil Group			
		Touch-up Paint - Granite/Steel Gray (Aerosol)	PD523018	PD523018	PD523018	
		Touch-up Paint - Granite/Steel Gray (Paint Pens)	PD523019	PD523019	PD523019	

No.	Notes	MODEL COOLING CAPACITY VARIATION	RP14	RP14	RP14	RP14
			18 AJPNA	24 AJPNA	30 AJPNA	36 AJPNA
<b>SHEET METAL PARTS, MISCELLANEOUS</b>						
1		Front Panel	AE-104456-03	AE-104456-03	AE-104456-22	AE-104456-28
2		Left Panel (Badge Panel)	AE-104456-21	AE-104456-21	AE-104456-24	AE-104456-42
3		Back Panel	AE-104456-04	AE-104456-04	AE-104456-23	AE-104456-29
4		Right Panel	AE-104456-03	AE-104456-03	AE-104456-22	AE-104456-28
5		Base Pan	68-104457-02	68-104457-02	68-104457-02	68-104457-02
6		Control Box - Before W1017	AE-104461-01	AE-104461-01	AE-104461-01	AE-104461-01
6		Control Box - On or After W1017	AE-104461-05	AE-104461-05	AE-104461-05	AE-104461-05
7		Control Box Cover	AS-104462-01 H	AS-104462-01 H	AS-104462-01 H	AS-104462-01 H
8		Control Box Bracket	AS-104460-02 H	AS-104460-02 H	AS-104460-03 H	AS-104460-05 H
9		Service Door	AS-104525-01 H	AS-104525-01 H	AS-104525-01 H	AS-104525-01 H
10		Center Post (2)	AS-104459-03 H	AS-104459-03 H	AS-104459-05 H	AS-104459-09 H
12		Corner Post - Louvered	AS-104469-02 H (3)	AS-104469-02 H (3)	AS-104469-03 H (3)	AS-104469-05 H (3)
13		Top Panel	AS-104458-02 H	AS-104458-02 H	AS-104458-02 H	AS-104458-02 H
14		Venturi	68-104464-04	68-104464-04	68-104464-04	68-104464-06
15		Grille	95-104620-02	95-104620-02	95-104620-02	95-104620-02
		Center Cap - Blank (for Grille)	91-105471-01	91-105471-01	91-105471-01	91-105471-01
		Service Valve - Suction	See Coil Group			
		Service Valve - Liquid	See Coil Group			
		Touch-up Paint - Granite/Steel Gray (Aerosol)	PD523018	PD523018	PD523018	PD523018
		Touch-up Paint - Granite/Steel Gray (Paint Pens)	PD523019	PD523019	PD523019	PD523019

No.	Notes	MODEL COOLING CAPACITY VARIATION	RP14	RP14	RP14	
			42 AJPNA	48 AJPNA	60 AJPNA	
<b>SHEET METAL PARTS, MISCELLANEOUS</b>						
1		Front Panel	AE-104456-25	AE-104456-46	AE-104456-49	
2		Left Panel (Badge Panel)	AE-104456-41	AE-104456-57	AE-104456-58	
3		Back Panel	AE-104456-26	AE-104456-47	AE-104456-50	
4		Right Panel	AE-104456-25	AE-104456-46	AE-104456-49	
5		Base Pan	68-104457-02	68-104457-03	68-104457-03	
6		Control Box - Before W1017	AE-104461-01	AE-104461-01	AE-104461-01	
6		Control Box - On or After W1017	AE-104461-05	AE-104461-05	AE-104461-05	
7		Control Box Cover	AS-104462-01 H	AS-104462-01 H	AS-104462-01 H	
8		Control Box Bracket	AS-104460-04 H	AS-104460-06 H	AS-104460-11 H	
9		Service Door	AS-104525-01 H	AS-104525-01 H	AS-104525-01 H	
10		Center Post (2)	AS-104459-07 H	AS-104459-11 H	AS-104459-13 H	
12		Corner Post - Louvered	AS-104469-04 H (3)	AS-104469-06 H (3)	AS-104469-07 H (3)	
13		Top Panel	AS-104458-02 H	AS-104458-03 H	AS-104458-03 H	
14		Venturi	68-104464-04	68-104464-07	68-104464-05	
15		Grille	95-104620-02	95-104620-03	95-104620-03	
		Center Cap - Blank (for Grille)	91-105471-01	91-105471-01	91-105471-01	
		Service Valve - Suction	See Coil Group			
		Service Valve - Liquid	See Coil Group			
		Touch-up Paint - Granite/Steel Gray (Aerosol)	PD523018	PD523018	PD523018	
		Touch-up Paint - Granite/Steel Gray (Paint Pens)	PD523019	PD523019	PD523019	

No.	Notes	MODEL COOLING CAPACITY VARIATION	RP14	RP14	RP14	RP14	RP14	RP14	
			18 AJ1NA	18 BJ1NA	24 AJ1NA	30 AJ1NA	36 AJ1NA	42 AJ1NA	
<b>ELECTRICAL/FAN GROUP</b>									
20	Stk	Fan Motor - Before W1017	51-101774-23	51-102008-18	51-101774-23	51-101774-23	51-101774-02	51-101774-31	
20	Stk	Fan Motor - On or after W1017	51-101774-23	51-102008-18	51-101774-23	51-101774-23	51-101774-52	51-101774-31	
21	Stk	Fan Blade	70-101323-26	70-101323-26	70-101323-26	70-101323-32	70-102011-12	70-102011-12	
22	Stk	Contactactor	42-102664-05	42-102664-05	42-102664-05	42-102664-05	42-102664-05	42-102664-05	
23		Capacitor	See Compressor Group						
		Start Capacitor	See Compressor Group						
		Start Relay	See Compressor Group						
23a		Capacitor Strap	AE-104562-01	AE-104562-01	AE-104562-01	AE-104562-01	AE-104562-01	AE-104562-01	
24	Stk	Defrost Control Board	47-102685-07	47-102685-07	47-102685-07	47-102685-07	47-102685-07	47-102685-07	
25		Crankcase Heater	See Compressor Group						
26		Grounding Lug	45-19000-01	45-19000-01	45-19000-01	45-19000-01	45-19000-01	45-19000-01	
		Low Ambient Control	See Accessories Group						
		Low Ambient Sensor	47-102709-01	47-102709-01	47-102709-01	47-102709-01	47-102709-01	47-102709-01	
27	Stk	Low Pressure Control	47-103670-05	47-103670-05	47-103670-05	47-103670-05	47-103670-05	47-103670-05	
27a		Valve Body - Low Pressure Control	61-18542-01	61-18542-01	61-18542-01	61-18542-01	61-18542-01	61-18542-01	
28	Stk	High Pressure Control	47-103669-01	47-103669-01	47-103669-01	47-103669-01	47-103669-01	47-103669-01	

No.	Notes	MODEL COOLING CAPACITY VARIATION	RP14	RP14	RP14	RP14	RP14	RP14	
			48 AJ1NA	60 AJ1NA	18 FJ1NA	24 FJ1NA	30 FJ1NA	36 FJ1NA	
<b>ELECTRICAL/FAN GROUP</b>									
20	Stk	Fan Motor - Before W1017	51-102008-07	51-101774-12	51-102008-18	51-102008-17	51-101774-32	51-102728-11	
20	Stk	Fan Motor - On or after W1017	51-101774-51	51-101774-12	51-102008-18	51-102008-17	51-101774-32	51-102728-23	
21	Stk	Fan Blade	70-101323-30	70-101323-29	70-101323-26	70-101323-33	70-101323-35	70-101323-41	
22	Stk	Contactactor	42-102664-10	42-102664-10	42-102664-05	42-102664-05	42-102664-05	42-102664-05	
23		Capacitor	See Compressor Group						
		Start Capacitor	See Compressor Group						
		Start Relay	See Compressor Group						
23a		Capacitor Strap	AE-104562-01	AE-104562-01	AE-104562-01	AE-104562-01	AE-104562-01	AE-104562-01	
24	Stk	Defrost Control Board	47-102685-07	47-102685-07	47-102685-07	47-102685-07	47-102685-07	47-102685-07	
25		Crankcase Heater	See Compressor Group						
26		Grounding Lug	45-19000-01	45-19000-01	45-19000-01	45-19000-01	45-19000-01	45-19000-01	
		Low Ambient Control	See Accessories Group						
		Low Ambient Sensor	47-102709-01	47-102709-01	47-102709-01	47-102709-01	47-102709-01	47-102709-01	
27	Stk	Low Pressure Control	47-103670-05	47-103670-05	47-103670-05	47-103670-05	47-103670-05	47-103670-05	
27a		Valve Body - Low Pressure Control	61-18542-01	61-18542-01	61-18542-01	61-18542-01	61-18542-01	61-18542-01	
28	Stk	High Pressure Control	47-103669-01	47-103669-01	47-103669-01	47-103669-01	47-103669-01	47-103669-01	

No.	Notes	MODEL COOLING CAPACITY VARIATION	RP14	RP14	RP14				
			42 FJ1NA	48 FJ1NA	60 FJ1NA				
<b>ELECTRICAL/FAN GROUP</b>									
20	Stk	Fan Motor - Before W1017	51-101774-32	51-102728-13	51-102008-07				
20	Stk	Fan Motor - On or after W1017	51-101774-32	51-102728-24	51-101774-51				
21	Stk	Fan Blade	70-101323-34	70-101323-29	70-101323-34				
22	Stk	Contactactor	42-102664-05	42-102664-10	42-102664-10				
23		Capacitor	See Compressor Group						
		Start Capacitor	See Compressor Group						
		Start Relay	See Compressor Group						
23a		Capacitor Strap	AE-104562-01	AE-104562-01	AE-104562-01				
24	Stk	Defrost Control Board	47-102685-07	47-102685-07	47-102685-07				
25		Crankcase Heater	See Compressor Group						
26		Grounding Lug	45-19000-01	45-19000-01	45-19000-01				
		Low Ambient Control	See Accessories Group						
		Low Ambient Sensor	47-102709-01	47-102709-01	47-102709-01				
27	Stk	Low Pressure Control	47-103670-05	47-103670-05	47-103670-10				
27a		Valve Body - Low Pressure Control	61-18542-01	61-18542-01	61-18542-01				
28	Stk	High Pressure Control	47-103669-01	47-103669-01	47-103669-01				



No.	Notes	MODEL COOLING CAPACITY VARIATION	RP14 36 FC1NA	RP14 42 FC1NA	RP14 48 FC1NA	RP14 60 FC1NA
<b>ELECTRICAL/FAN GROUP</b>						
20	Stk	Fan Motor - Before W1017	51-102728-11	51-101774-31	51-102728-13	51-102008-07
20	Stk	Fan Motor - On or after W1017	51-102728-23	51-101774-31	51-102728-24	51-102008-07
21	Stk	Fan Blade	70-101323-41	70-101323-34	70-101323-29	70-101323-34
22	Stk	Contactactor	42-102664-14	42-102664-14	42-102664-14	42-102664-14
23		Capacitor	See Compressor Group			
23a		Capacitor Strap	AE-104562-01	AE-104562-01	AE-104562-01	AE-104562-01
24	Stk	Defrost Control Board	47-102685-07	47-102685-07	47-102685-07	47-102685-07
25		Crankcase Heater	See Compressor Group			
26		Grounding Lug	45-19000-01	45-19000-01	45-19000-01	45-19000-01
		Low Ambient Control	See Accessories Group			
		Low Ambient Sensor	47-102709-01	47-102709-01	47-102709-01	47-102709-01
27	Stk	Low Pressure Control	47-103670-05	47-103670-05	47-103670-05	47-103670-10
27a		Valve Body - Low Pressure Control	61-18542-01	61-18542-01	61-18542-01	61-18542-01
28	Stk	High Pressure Control	47-103669-01	47-103669-01	47-103669-01	47-103669-01

No.	Notes	MODEL COOLING CAPACITY VARIATION	RP14 36 AC1NA	RP14 42 AC1NA	RP14 48 AC1NA	RP14 60 AC1NA
<b>ELECTRICAL/FAN GROUP</b>						
20	Stk	Fan Motor - Before W1017	51-101774-02	51-101774-31	51-102008-08	51-101774-12
20	Stk	Fan Motor - On or after W1017	51-101774-52	51-101774-31	51-102008-34	51-101774-12
21	Stk	Fan Blade	70-102011-12	70-102011-09	70-101323-30	70-101323-29
22	Stk	Contactactor	42-102664-14	42-102664-14	42-102664-14	42-102664-14
23		Capacitor	See Compressor Group			
23a		Capacitor Strap	AE-104562-01	AE-104562-01	AE-104562-01	AE-104562-01
24	Stk	Defrost Control Board	47-102685-07	47-102685-07	47-102685-07	47-102685-07
25		Crankcase Heater	See Compressor Group			
26		Grounding Lug	45-19000-01	45-19000-01	45-19000-01	45-19000-01
		Low Ambient Control	See Accessories Group			
		Low Ambient Sensor	47-102709-01	47-102709-01	47-102709-01	47-102709-01
27	Stk	Low Pressure Control	47-103670-05	47-103670-05	47-103670-05	47-103670-05
27a		Valve Body - Low Pressure Control	61-18542-01	61-18542-01	61-18542-01	61-18542-01
28	Stk	High Pressure Control	47-103669-01	47-103669-01	47-103669-01	47-103669-01

No.	Notes	MODEL COOLING CAPACITY VARIATION	RP14 36 AD1NA	RP14 42 AD1NA	RP14 48 AD1NA	RP14 60 AD1NA
<b>ELECTRICAL/FAN GROUP</b>						
20	Stk	Fan Motor (Three-phase) - See Note 1	51-102008-24	51-102008-32	N/A	N/A
20	Stk	Fan Motor (Single-phase) - See Note 1	51-101774-06	51-101774-37	51-101774-38	51-101774-34
21	Stk	Fan (Three-phase Motor) - See Note 1	70-102011-12	70-102011-09	N/A	N/A
21	Stk	Fan (Single-phase Motor) - See Note 1	70-102011-09	70-102011-09	70-101323-30	70-101323-29
22	Stk	Contactactor	42-102664-14	42-102664-14	42-102664-14	42-102664-14
23		Capacitor (Single-phase motor) - See Note 1	43-101666-65	43-101666-65	43-101666-65	43-101666-65
23a		Capacitor Strap	AE-104562-01	AE-104562-01	AE-104562-01	AE-104562-01
24	Stk	Defrost Control Board	47-102685-07	47-102685-07	47-102685-07	47-102685-07
24a		Relay	42-19737-01	42-19737-01	42-19737-01	42-19737-01
25		Crankcase Heater	See Compressor Group			
26		Grounding Lug	45-19000-01	45-19000-01	45-19000-01	45-19000-01
		Low Ambient Control	See Accessories Group			
		Low Ambient Sensor	47-102709-01	47-102709-01	47-102709-01	47-102709-01
27	Stk	Low Pressure Control	47-103670-05	47-103670-05	47-103670-05	47-103670-05
27a		Valve Body - Low Pressure Control	61-18542-01	61-18542-01	61-18542-01	61-18542-01
28	Stk	High Pressure Control	47-103669-01	47-103669-01	47-103669-01	47-103669-01

No.	Notes	MODEL COOLING CAPACITY VARIATION	RP14 18 AJPNA	RP14 24 AJPNA	RP14 30 AJPNA	RP14 36 AJPNA
<b>ELECTRICAL/FAN GROUP</b>						
20	Stk	Fan Motor - Before W1017	51-101774-02	51-101774-02	51-101774-32	51-102728-19
20	Stk	Fan Motor - On or after W1017	51-101774-52	51-101774-52	51-101774-32	51-102728-19
21	Stk	Fan Blade	70-102011-12	70-102011-12	70-101323-35	70-101323-30
22	Stk	Contactora	42-104521-05	42-104521-05	42-104521-05	42-104521-05
23		Capacitor	See Compressor Group			
23a		Capacitor Strap	AE-104562-01	AE-104562-01	AE-104562-01	AE-104562-01
24	Stk	Defrost Control Board	47-102685-07	47-102685-07	47-102685-07	47-102685-07
25		Crankcase Heater	See Compressor Group			
26		Grounding Lug	45-19000-01	45-19000-01	45-19000-01	45-19000-01
		Low Ambient Control	See Accessories Group			
		Low Ambient Sensor	47-102709-01	47-102709-01	47-102709-01	47-102709-01
27	Stk	Low Pressure Control	47-103670-05	47-103670-05	47-103670-05	47-103670-05
27a		Valve Body - Low Pressure Control	61-18542-01	61-18542-01	61-18542-01	61-18542-01
28	Stk	High Pressure Control	47-103669-01	47-103669-01	47-103669-01	47-103669-01

No.	Notes	MODEL COOLING CAPACITY VARIATION	RP14 42 AJPNA	RP14 48 AJPNA	RP14 60 AJPNA	
<b>ELECTRICAL/FAN GROUP</b>						
20	Stk	Fan Motor - Before W1017	51-101774-32	51-102728-13	51-102008-07	
20	Stk	Fan Motor - On or after W1017	51-101774-32	51-102728-24	51-102008-07	
21	Stk	Fan Blade	70-101323-34	70-101323-29	70-101323-29	
22	Stk	Contactora	42-104521-05	42-104521-10	42-104521-10	
23		Capacitor	See Compressor Group			
23a		Capacitor Strap	AE-104562-01	AE-104562-01	AE-104562-01	
24	Stk	Defrost Control Board	47-102685-07	47-102685-07	47-102685-07	
25		Crankcase Heater	See Compressor Group			
26		Grounding Lug	45-19000-01	45-19000-01	45-19000-01	
		Low Ambient Control	See Accessories Group			
		Low Ambient Sensor	47-102709-01	47-102709-01	47-102709-01	
27	Stk	Low Pressure Control	47-103670-05	47-103670-10	47-103670-10	
27a		Valve Body - Low Pressure Control	61-18542-01	61-18542-01	61-18542-01	
28	Stk	High Pressure Control	47-103669-01	47-103670-10	47-103670-10	

No.	Notes	MODEL COOLING CAPACITY VARIATION	RP14 18 AJ1NA	RP14 18 BJ1NA	RP14 24 AJ1NA	RP14 30 AJ1NA	RP14 36 AJ1NA	RP14 42 AJ1NA	RP14 48 AJ1NA
<b>COIL GROUP</b>									
30	Stk	Condenser Coil	AS-104981-03	AS-104981-03	AS-104981-03	AS-105041-03	AS-105001-03	AS-105001-03	AS-105034-03
31		Service Valve - Suction	61-104914-03	61-104914-03	61-104914-03	61-104914-03	61-104914-03	61-104914-04	61-104914-04
32		Service Valve - Liquid	61-104914-01	61-104914-05	61-104914-01	61-104914-01	61-104914-01	61-104914-01	61-104914-01
33		Bulkhead Valve	61-22369-04	61-22369-04	61-22369-04	61-22369-04	61-22369-04	61-22369-04	61-22369-04
33a		Valve Core	61-18551-01	61-18551-01	61-18551-01	61-18551-01	61-18551-01	61-18551-01	61-18551-01
33b		Valve Cap	83-100635-01	83-100635-01	83-100635-01	83-100635-01	83-100635-01	83-100635-01	83-100635-01
		Locknut - Bulkhead Valve	63-22368-01	63-22368-01	63-22368-01	63-22368-01	63-22368-01	63-22368-01	63-22368-01
27	Stk	Low Pressure Control	See Electrical Group						
28	Stk	High Pressure Control	See Electrical Group						
	Stk	Filter Drier	83-41719-04	83-41719-02	83-41719-04	83-41719-04	83-41719-04	83-41719-04	83-41719-04
		Charge Compensator	83-104499-01	83-104499-02	83-104499-01	83-104499-01	N/A	83-104499-02	N/A
29a	Stk	TXV/Distributor Assembly	61-105338-01	61-105025-01	61-105338-01	61-105338-03	61-105338-04	61-105338-05	61-105338-06
29b	Stk	Reversing Valve	61-102498-04	61-102498-04	61-102498-04	61-102498-09	61-102498-09	61-102498-09	61-102498-06
	Stk	Solenoid Coil - Reversing Valve	61-101713-92	61-101713-92	61-101713-92	61-101713-92	61-101713-92	61-101713-92	61-101713-92
		Wiring Harness - Reversing Valve (Before W0917)	61-26149-03	N/A	61-26149-03	61-26149-03	61-26149-03	61-26149-03	61-26149-03
		Wiring Harness - Reversing Valve (On or After W0917)	61-26149-05	61-26149-05	61-26149-05	61-26149-05	61-26149-05	61-26149-05	61-26149-05

No.	Notes	MODEL COOLING CAPACITY VARIATION	RP14 60 AJ1NA	RP14 18 FJ1NA	RP14 24 FJ1NA	RP14 30 FJ1NA	RP14 36 FJ1NA	RP14 42 FJ1NA
<b>COIL GROUP</b>								
30	Stk	Condenser Coil	AS-105003-03	AS-104981-03	AS-105088-03	AS-105090-03	AS-105093-03	AS-105034-03
31		Service Valve - Suction	61-104914-04	61-104914-03	61-104914-03	61-104914-03	61-104914-03	61-104914-04
32		Service Valve - Liquid	61-104914-01	61-104914-05	61-104914-05	61-104914-05	61-104914-05	61-104914-05
33		Bulkhead Valve	61-22369-04	61-22369-04	61-22369-04	61-22369-04	61-22369-04	61-22369-04
33a		Valve Core	61-18551-01	61-18551-01	61-18551-01	61-18551-01	61-18551-01	61-18551-01
33b		Valve Cap	83-100635-01	83-100635-01	83-100635-01	83-100635-01	83-100635-01	83-100635-01
		Locknut - Bulkhead Valve	63-22368-01	63-22368-01	63-22368-01	63-22368-01	63-22368-01	63-22368-01
27	Stk	Low Pressure Control	See Electrical Group					
28	Stk	High Pressure Control	See Electrical Group					
	Stk	Filter Drier	83-41719-04	83-41719-04	83-41719-04	83-41719-04	83-41719-04	83-41719-04
		Charge Compensator	83-104499-12	83-104499-02	83-104499-01	N/A	N/A	N/A
29a	Stk	TXV/Distributor Assembly	61-105338-07	61-105025-01	61-105025-08	61-105025-09	61-105025-10	61-105025-06
29b	Stk	Reversing Valve	61-102498-06	61-102498-04	61-102498-04	61-102498-09	61-102498-09	61-102498-09
	Stk	Solenoid Coil - Reversing Valve	61-101713-92	61-101713-92	61-101713-92	61-101713-92	61-101713-92	61-101713-92
		Wiring Harness - Reversing Valve (Before W0917)	61-26149-03	61-26149-03	61-26149-03	61-26149-03	61-26149-03	61-26149-03
		Wiring Harness - Reversing Valve (On or After W0917)	61-26149-05	61-26149-05	61-26149-05	61-26149-05	61-26149-05	61-26149-05

No.	Notes	MODEL	RP14	RP14				
		COOLING CAPACITY VARIATION	48 FJ1NA	60 FJ1NA				
<b>COIL GROUP</b>								
30	Stk	Condenser Coil	AS-105095-03	AS-105214-03				
31		Service Valve - Suction	61-104914-04	61-104914-04				
32		Service Valve - Liquid	61-104914-05	61-104914-05				
33		Bulkhead Valve	61-22369-04	61-22369-04				
33a		Valve Core	61-18551-01	61-18551-01				
33b		Valve Cap	83-100635-01	83-100635-01				
		Locknut - Bulkhead Valve	63-22368-01	63-22368-01				
27	Stk	Low Pressure Control	See Electrical Group					
28	Stk	High Pressure Control	See Electrical Group					
	Stk	Filter Drier	83-41719-04	83-41719-04				
		Charge Compensator	N/A	N/A				
29a	Stk	TXV/Distributor Assembly	61-105025-12	61-105025-13				
29b	Stk	Reversing Valve	61-102498-06	61-102498-06				
	Stk	Solenoid Coil - Reversing Valve	61-101713-92	61-101713-92				
		Wiring Harness - Reversing Valve (Before W0917)	61-26149-03	61-26149-03				
		Wiring Harness - Reversing Valve (On or After W0917)	61-26149-05	61-26149-05				

No.	Notes	MODEL COOLING CAPACITY VARIATION	RP14	RP14	RP14	RP14	RP14	RP14
			36 FC1NA	42 FC1NA	48 FC1NA	60 FC1NA	36 AC1NA	42 AC1NA
<b>COIL GROUP</b>								
30	Stk	Condenser Coil	AS-105093-03	AS-105034-03	AS-105095-03	AS-105214-03	AS-105001-03	AS-105001-03
31		Service Valve - Suction	61-104914-03	61-104914-04	61-104914-04	61-104914-04	61-104914-03	61-104914-04
32		Service Valve - Liquid	61-104914-05	61-104914-05	61-104914-05	61-104914-05	61-104914-01	61-104914-01
33		Bulkhead Valve	61-22369-04	61-22369-04	61-22369-04	61-22369-04	61-22369-04	61-22369-04
33a		Valve Core	61-18551-01	61-18551-01	61-18551-01	61-18551-01	61-18551-01	61-18551-01
33b		Valve Cap	83-100635-01	83-100635-01	83-100635-01	83-100635-01	83-100635-01	83-100635-01
		Locknut - Bulkhead Valve	63-22368-01	63-22368-01	63-22368-01	63-22368-01	63-22368-01	63-22368-01
27	Stk	Low Pressure Control	See Electrical Group					
28	Stk	High Pressure Control	See Electrical Group					
	Stk	Filter Drier	83-41719-04	83-41719-04	83-41719-04	83-41719-04	83-41719-04	83-41719-04
		Charge Compensator	N/A	N/A	83-104499-11	83-104499-11	N/A	83-104499-02
29a	Stk	TXV/Distributor Assembly	61-105025-10	61-105025-06	61-105025-12	61-105025-13	61-105338-04	61-105338-05
29b	Stk	Reversing Valve	61-102498-09	61-102498-09	61-102498-06	61-102498-06	61-102498-09	61-102498-09
	Stk	Solenoid Coil - Reversing Valve	61-101713-92	61-101713-92	61-101713-92	61-101713-92	61-101713-92	61-101713-92
		Wiring Harness - Reversing Valve (Before W0917)	61-26149-03	61-26149-03	61-26149-03	61-26149-03	61-26149-03	61-26149-03
		Wiring Harness - Reversing Valve (On or After W0917)	61-26149-05	61-26149-05	61-26149-05	61-26149-05	61-26149-05	61-26149-05

No.	Notes	MODEL COOLING CAPACITY VARIATION	RP14	RP14	RP14	RP14	RP14	RP14
			48 AC1NA	60 AC1NA	36 AD1NA	42 AD1NA	48 AD1NA	60 AD1NA
<b>COIL GROUP</b>								
30	Stk	Condenser Coil	AS-105034-03	AS-105003-03	AS-105001-03	AS-105001-03	AS-105034-03	AS-105003-03
31		Service Valve - Suction	61-104914-04	61-104914-04	61-104914-03	61-104914-04	61-104914-04	61-104914-04
32		Service Valve - Liquid	61-104914-01	61-104914-01	61-104914-01	61-104914-01	61-104914-01	61-104914-01
33		Bulkhead Valve	61-22369-04	61-22369-04	61-22369-04	61-22369-04	61-22369-04	61-22369-04
33a		Valve Core	61-18551-01	61-18551-01	61-18551-01	61-18551-01	61-18551-01	61-18551-01
33b		Valve Cap	83-100635-01	83-100635-01	83-100635-01	83-100635-01	83-100635-01	83-100635-01
		Locknut - Bulkhead Valve	63-22368-01	63-22368-01	63-22368-01	63-22368-01	63-22368-01	63-22368-01
27	Stk	Low Pressure Control	See Electrical Group					
28	Stk	High Pressure Control	See Electrical Group					
	Stk	Filter Drier	83-41719-04	83-41719-04	83-41719-02	83-41719-02	83-41719-02	83-41719-02
		Charge Compensator	N/A	83-104499-12	N/A	83-104499-02	N/A	83-104499-12
29a	Stk	TXV/Distributor Assembly	61-105338-06	61-105338-07	61-105025-04	61-105025-05	61-105025-06	61-105025-07
29b	Stk	Reversing Valve	61-102498-06	61-102498-06	61-102498-09	61-102498-09	61-102498-06	61-102498-06
	Stk	Solenoid Coil - Reversing Valve	61-101713-92	61-101713-92	61-101713-92	61-101713-92	61-101713-92	61-101713-92
		Wiring Harness - Reversing Valve (Before W0917)	61-26149-03	61-26149-03	61-26149-03	61-26149-03	61-26149-03	61-26149-03
		Wiring Harness - Reversing Valve (On or After W0917)	61-26149-05	61-26149-05	61-26149-05	61-26149-05	61-26149-05	61-26149-05

No.	Notes	MODEL COOLING CAPACITY VARIATION	RP14	RP14	RP14	RP14	RP14	RP14
			18 AJPNA	24 AJPNA	30 AJPNA	36 AJPNA	42 AJPNA	48 AJPNA
<b>COIL GROUP</b>								
30	Stk	Condenser Coil	AS-106244-03	AS-106244-03	AS-105090-03	AS-106250-03	AS-105034-03	AS-106254-03
31		Service Valve - Suction	61-104914-03	61-104914-03	61-104914-03	61-104914-03	61-104914-04	61-104914-04
32		Service Valve - Liquid	61-104914-05	61-104914-05	61-104914-05	61-104914-05	61-104914-05	61-104914-05
33		Bulkhead Valve	61-22369-04	61-22369-04	61-22369-04	61-22369-04	61-22369-04	61-22369-04
33a		Valve Core	61-18551-01	61-18551-01	61-18551-01	61-18551-01	61-18551-01	61-18551-01
33b		Valve Cap	83-100635-01	83-100635-01	83-100635-01	83-100635-01	83-100635-01	83-100635-01
33c		Locknut - Bulkhead Valve	63-22368-01	63-22368-01	63-22368-01	63-22368-01	63-22368-01	63-22368-01
27	Stk	Low Pressure Control	See Electrical Group					
28	Stk	High Pressure Control	See Electrical Group					
	Stk	Filter Drier	83-41719-02	83-41719-02	83-41719-02	83-41719-02	83-41719-02	83-41719-02
35		Accumulator - Suction Line	83-104716-01	83-104716-01	83-104716-01	83-104716-01	83-104716-02	83-104716-02
29a	Stk	TXV/Distributor Assembly	N/A	N/A	N/A	N/A	N/A	N/A
29b	Stk	Reversing Valve	61-102498-04	61-102498-04	61-102498-09	61-102498-09	61-102498-09	61-102498-06
29c	Stk	Flow Check/Distributor Assembly	61-104502-35	61-104502-39	61-104502-45	61-104503-46	61-104504-55	61-104504-49
		Piston - Flow Check/Distributor	61-104468-35	61-104468-39	61-104468-45	61-104468-46	61-104468-55	61-104468-49
		Piston - Outdoor Coil	61-104468-49	N/A	61-104468-62	N/A	61-104468-74	N/A
	Stk	Solenoid Coil - Reversing Valve	61-101713-92	61-101713-92	61-101713-92	61-101713-92	61-101713-92	61-101713-92
		Wiring Harness - Reversing Valve (Before W0917)	61-26149-03	61-26149-03	61-26149-03	61-26149-03	61-26149-03	61-26149-03
		Wiring Harness - Reversing Valve (On or After W0917)	61-26149-05	61-26149-05	61-26149-05	61-26149-05	61-26149-05	61-26149-05

No.	Notes	MODEL COOLING CAPACITY VARIATION	RP14					
			60 AJPNA					
<b>COIL GROUP</b>								
30	Stk	Condenser Coil	AS-106256-03					
31		Service Valve - Suction	61-104914-04					
32		Service Valve - Liquid	61-104914-05					
33		Bulkhead Valve	61-22369-04					
33a		Valve Core	61-18551-01					
33b		Valve Cap	83-100635-01					
33c		Locknut - Bulkhead Valve	63-22368-01					
27	Stk	Low Pressure Control	See Electrical Group					
28	Stk	High Pressure Control	See Electrical Group					
	Stk	Filter Drier	83-41719-02					
35		Accumulator - Suction Line	83-104716-02					
29a	Stk	TXV/Distributor Assembly	N/A					
29b	Stk	Reversing Valve	61-102498-06					
29c	Stk	Flow Check/Distributor Assembly	61-104506-64					
		Piston - Flow Check/Distributor	61-104468-64					
		Piston - Outdoor Coil	N/A					
	Stk	Solenoid Coil - Reversing Valve	61-101713-92					
		Wiring Harness - Reversing Valve (Before W0917)	61-26149-03					
		Wiring Harness - Reversing Valve (On or After W0917)	61-26149-05					

No.	Notes	MODEL COOLING CAPACITY VARIATION	RP14 18 AJ1NA	RP14 18 BJ1NA	RP14 24 AJ1NA	RP14 30 AJ1NA	RP14 36 AJ1NA	RP14 42 AJ1NA	RP14 48 AJ1NA
<b>COMPRESSOR GROUP</b>									
		<b>Compressor ID:</b>	<b>8963</b>	<b>7340</b>	<b>8964</b>	<b>8965</b>	<b>8966</b>	<b>8967</b>	<b>8968</b>
40	Stk	Compressor	55-102045-120	55-102045-122S	55-102045-104S	55-102045-123	55-102045-124	55-102045-126	55-102045-128
		Compressor Grommet (4)	56-18518-04	56-18518-04	56-18518-04	56-18518-04	56-18518-04	56-18518-06	56-18518-06
		Compressor Bolt (4)	63-20072-07	63-20072-07	63-20072-07	63-20072-07	63-20072-07	63-20072-07	63-20072-07
23	Stk	Capacitor - Compressor/Fan	43-101665-60	43-101665-60	43-101665-10	43-101665-10	43-101665-13	43-101665-13	43-101665-58
	Stk	Compressor Wiring Harness (Molded Plug)	45-100834-80	45-100834-80	45-100834-80	45-100834-80	45-100834-80	45-100834-80	45-100834-80
25		Crankcase Heater				See Accessories			
		Muffler	83-104416-01	83-104416-01	83-104416-01	83-104416-01	83-104416-01	83-104416-01	83-104416-01
		Start Relay	N/A	42-100491-09	N/A	N/A	N/A	N/A	N/A
		Start Capacitor	N/A	43-17075-04	N/A	N/A	N/A	N/A	N/A
		Filter Drier				See Coil Group			
		Charge Compensator				See Coil Group			

No.	Notes	MODEL COOLING CAPACITY VARIATION	RP14 60 AJ1NA	RP14 18 FJ1NA	RP14 24 FJ1NA	RP14 30 FJ1NA	RP14 36 FJ1NA	RP14 42 FJ1NA	
<b>COMPRESSOR GROUP</b>									
		<b>Compressor ID:</b>	<b>8969</b>		<b>9132</b>	<b>9133</b>	<b>9134</b>	<b>9135</b>	<b>9136</b>
40	Stk	Compressor	55-102045-101S		55-102045-122S	55-102045-148S	55-102045-143S	55-102045-103S	55-102045-126
		Compressor Grommet (4)	56-18518-06		56-18518-04	56-18518-04	56-18518-04	56-18518-04	56-18518-06
		Compressor Bolt (4)	63-20072-07		63-20072-07	63-20072-07	63-20072-07	63-20072-07	63-20072-07
23	Stk	Capacitor - Compressor/Fan	43-101665-59		43-101665-60	43-101665-06	43-101665-61	N/A	43-101665-62
23		Capacitor - Compressor	N/A		N/A	N/A	N/A	43-101666-68	N/A
		Start Capacitor	N/A		43-17075-04	43-17075-04	N/A	N/A	N/A
		Start Relay	N/A		42-100491-09	42-100491-09	N/A	N/A	N/A
	Stk	Compressor Wiring Harness (Molded Plug)	45-100834-80		45-100834-80	45-100834-80	45-100834-80	45-100834-80	45-100834-80
25		Crankcase Heater	44-101884-13			See Accessories			
		Muffler	83-104416-01		83-104416-01	83-104416-01	83-104416-01	83-104416-01	83-104416-01
		Filter Drier				See Coil Group			
		Charge Compensator				See Coil Group			

No.	Notes	MODEL COOLING CAPACITY VARIATION	RP14 48 FJ1NA	RP14 60 FJ1NA					
<b>COMPRESSOR GROUP</b>									
		<b>Compressor ID:</b>	<b>9137</b>	<b>9138</b>					
40	Stk	Compressor	55-102045-119S	55-102045-101S					
		Compressor Grommet (4)	56-18518-06	56-18518-06					
		Compressor Bolt (4)	63-20072-07	63-20072-07					
23	Stk	Capacitor - Compressor/Fan	N/A	43-101665-58					
23		Capacitor - Compressor	43-101666-68	N/A					
		Start Capacitor	N/A	N/A					
		Start Relay	N/A	N/A					
	Stk	Compressor Wiring Harness (Molded Plug)	45-100834-80	45-100834-80					
25		Crankcase Heater	44-103663-13	44-103663-13					
		Muffler	83-104416-01	83-104416-01					
		Filter Drier				See Coil Group			
		Charge Compensator				See Coil Group			

No.	Notes	MODEL COOLING CAPACITY VARIATION	RP14 36 FC1NA	RP14 42 FC1NA	RP14 48 FC1NA	RP14 60 FC1NA
<b>COMPRESSOR GROUP</b>						
		<b>Compressor ID:</b>	<b>9139</b>	<b>9140</b>	<b>9141</b>	<b>9142</b>
40	Stk	Compressor	55-102045-138S	55-102045-133S	55-102045-139S	55-102045-130S
		Compressor Grommet (4)	56-18518-04	56-18518-06	56-18518-06	56-18518-06
		Compressor Bolt (4)	63-20072-07	63-20072-07	63-20072-07	63-20072-07
23	Stk	Capacitor - Fan	43-101666-68	43-101666-65	43-101666-68	43-101666-62
	Stk	Compressor Wiring Harness (Molded Plug)	45-100834-80	45-100834-80	45-100834-80	45-100834-80
25		Crankcase Heater	See Accessories			44-103663-13
31a		Strainer - Suction	83-25316-03	83-25316-04	83-25316-04	83-25316-04
32a		Strainer - Liquid	83-25316-02	83-25316-02	83-25316-02	83-25316-02
		Muffler	83-104416-01	83-104416-01	83-104416-01	83-104416-01
		Filter Drier	See Coil Group			
		Charge Compensator	See Coil Group			

No.	Notes	MODEL COOLING CAPACITY VARIATION	RP14 36 AC1NA	RP14 42 AC1NA	RP14 48 AC1NA	RP14 60 AC1NA
<b>COMPRESSOR GROUP</b>						
		<b>Compressor ID:</b>	<b>9030</b>	<b>9031</b>	<b>9032</b>	<b>9033</b>
40	Stk	Compressor	55-102045-132S	55-102045-133S	55-102045-134S	55-102045-130S
		Compressor Grommet (4)	56-18518-04	56-18518-06	56-18518-06	56-18518-06
		Compressor Bolt (4)	63-20072-07	63-20072-07	63-20072-07	63-20072-07
23	Stk	Capacitor - Fan	43-101666-65	43-101666-65	43-101666-62	43-101666-65
	Stk	Compressor Wiring Harness (Molded Plug)	45-100834-80	45-100834-80	45-100834-80	45-100834-80
25		Crankcase Heater	See Accessories			44-101884-13
31a		Strainer - Suction	83-25316-03	83-25316-04	83-25316-04	83-25316-04
32a		Strainer - Liquid	83-25316-02	83-25316-02	83-25316-02	83-25316-02
		Muffler	83-104416-01	83-104416-01	83-104416-01	83-104416-01
		Filter Drier	See Coil Group			
		Charge Compensator	See Coil Group			

No.	Notes	MODEL COOLING CAPACITY VARIATION	RP14 36 AD1NA	RP14 42 AD1NA	RP14 48 AD1NA	RP14 60 AD1NA
<b>COMPRESSOR GROUP</b>						
		<b>Compressor ID:</b>	<b>9034</b>	<b>9035</b>	<b>9036</b>	<b>9037</b>
40	Stk	Compressor	55-102045-135S	55-102045-136S	55-102045-137S	55-102045-131S
		Compressor Grommet (4)	56-18518-04	56-18518-06	56-18518-06	56-18518-06
		Compressor Bolt (4)	63-20072-07	63-20072-07	63-20072-07	63-20072-07
23	Stk	Capacitor - Fan	See Electrical Group			
	Stk	Compressor Wiring Harness (Molded Plug)	45-100834-80	45-100834-80	45-100834-80	45-100834-80
25		Crankcase Heater	See Accessories			44-101884-06
31a		Strainer - Suction	83-25316-03	83-25316-04	83-25316-04	83-25316-04
32a		Strainer - Liquid	83-25316-02	83-25316-02	83-25316-02	83-25316-02
		Muffler	83-104416-01	83-104416-01	83-104416-01	83-104416-01
		Filter Drier	See Coil Group			
		Charge Compensator	See Coil Group			



No.	Notes	MODEL COOLING CAPACITY VARIATION	RP14 18 AJPNA	RP14 24 AJPNA	RP14 30 AJPNA	RP14 36 AJPNA
<b>COMPRESSOR GROUP</b>						
		<b>Compressor ID:</b>	<b>9187</b>	<b>9188</b>	<b>9189</b>	<b>9190</b>
40	Stk	Compressor	55-102045-122S	55-102045-148S	55-102045-143S	55-102045-103S
		Compressor Grommet (4)	56-18518-04	56-18518-04	56-18518-04	56-18518-04
		Compressor Bolt (4)	63-20072-07	63-20072-07	63-20072-07	63-20072-07
23	Stk	Capacitor - Fan	N/A	43-101665-06	43-101665-61	43-101666-68
	Stk	Compressor Wiring Harness (Molded Plug)	45-100834-80	45-100834-80	45-100834-80	45-100834-80
25		Crankcase Heater	See Accessories			
31a		Strainer - Suction	83-25316-03	83-25316-03	83-25316-03	83-25316-03
32a		Strainer - Liquid	83-25316-02	83-25316-02	83-25316-02	83-25316-02
34		Muffler	83-104416-01	83-104416-01	83-104416-01	83-104416-01
		Filter Drier	See Coil Group			
		Accumulator	See Coil Group			

No.	Notes	MODEL COOLING CAPACITY VARIATION	RP14 42 AJPNA	RP14 48 AJPNA	RP14 60 AJPNA	
<b>COMPRESSOR GROUP</b>						
		<b>Compressor ID:</b>	<b>9191</b>	<b>9192</b>	<b>9193</b>	
40	Stk	Compressor	55-102045-144S	55-102045-119S	55-102045-101	
		Compressor Grommet (4)	56-18518-06	56-18518-06	56-18518-06	
		Compressor Bolt (4)	63-20072-07	63-20072-07	63-20072-07	
23	Stk	Capacitor - Fan	43-101665-62	43-101666-68	43-101665-58	
	Stk	Compressor Wiring Harness (Molded Plug)	45-100834-80	45-100834-80	45-100834-80	
25		Crankcase Heater	See Accessories			TBD
31a		Strainer - Suction	83-25316-04	83-25316-04	83-25316-04	
32a		Strainer - Liquid	83-25316-02	83-25316-02	83-25316-02	
34		Muffler	83-104416-01	83-104416-01	83-104416-01	
		Filter Drier	See Coil Group			
		Accumulator	See Coil Group			

No.	Notes	MODEL COOLING CAPACITY VARIATION	RP14 18 AJ1NA	RP14 24 AJ1NA	RP14 30 AJ1NA	RP14 36 AC1NA	RP14 36 AD1NA	RP14 36 AJ1NA
<b>ACCESSORIES</b>								
		Low Ambient Control	RXAD-A08	RXAD-A08	RXAD-A08	RXAD-A08	RXAD-A08	RXAD-A08
		Compressor Crankcase Heater	44-17402-44	44-17402-44	44-17402-44	44-17402-44	44-17402-44	44-17402-44
		Compressor Sound Cover	68-23427-26	68-23427-26	68-23427-26	68-23427-26	68-23427-26	68-23427-26
		Compressor Hard Start Kit	SK-A1	SK-A1	SK-A1	N/A	N/A	SK-A1

No.	Notes	MODEL COOLING CAPACITY VARIATION	RP14 18 BJ1NA					
<b>ACCESSORIES</b>								
		Low Ambient Control	RXAD-A08					
		Compressor Crankcase Heater	44-17402-44					
		Compressor Sound Cover	68-23427-26					
		Compressor Hard Start Kit	SK-A1					

No.	Notes	MODEL COOLING CAPACITY VARIATION	RP14 42 AC1NA	RP14 42 AD1NA	RP14 42 AJ1NA	RP14 48 AC1NA	RP14 48 AD1NA	RP14 48 AJ1NA
<b>ACCESSORIES</b>								
		Low Ambient Control	RXAD-A08	RXAD-A08	RXAD-A08	RXAD-A08	RXAD-A08	RXAD-A08
		Compressor Crankcase Heater	44-17402-45	44-17402-45	44-17402-45	44-17402-45	44-17402-45	44-17402-45
		Compressor Sound Cover	68-23427-25	68-23427-25	68-23427-25	68-23427-25	68-23427-25	68-23427-25
		Compressor Hard Start Kit	N/A	N/A	SK-A1	N/A	N/A	SK-A1

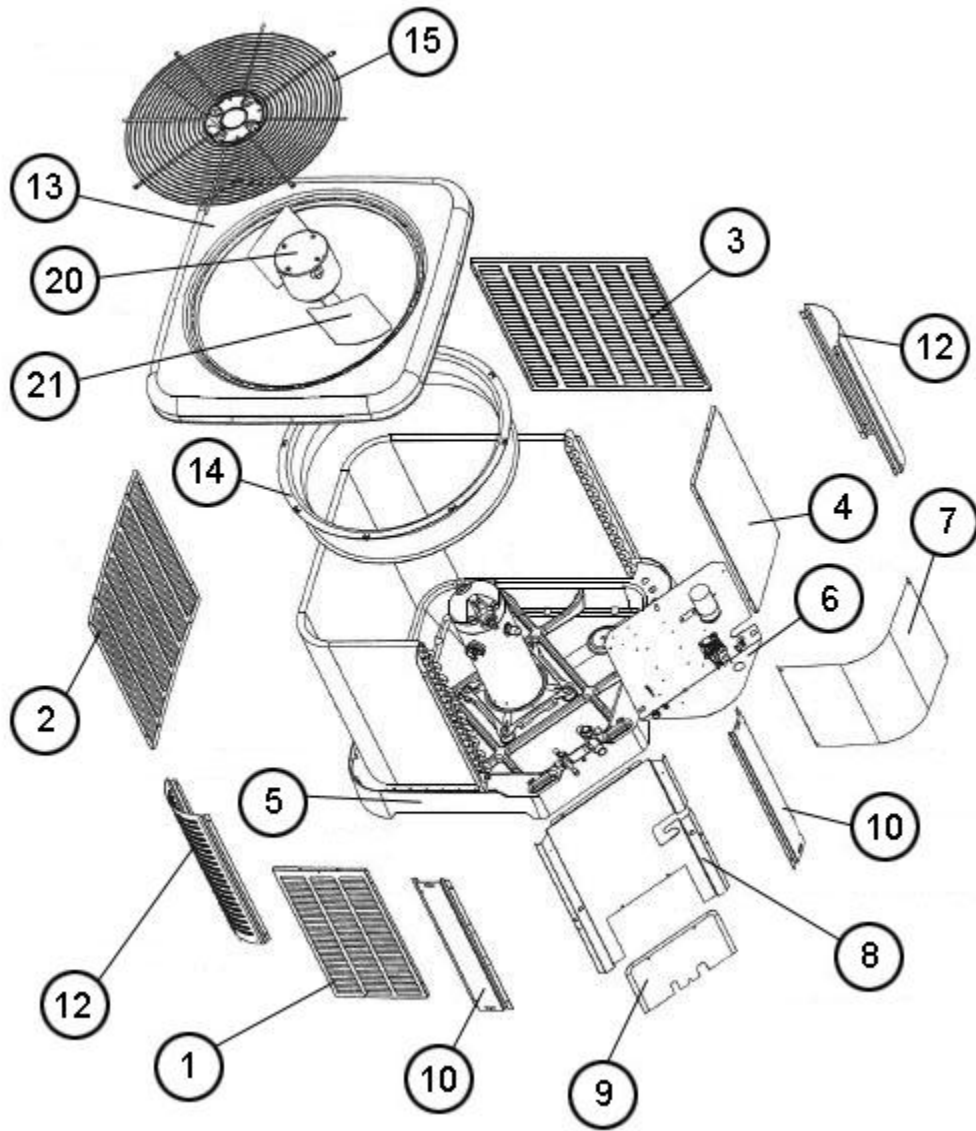
No.	Notes	MODEL COOLING CAPACITY VARIATION	RP14 60 AC1NA	RP14 60 AD1NA	RP14 60 AJ1NA			
<b>ACCESSORIES</b>								
		Low Ambient Control	RXAD-A08	RXAD-A08	RXAD-A08			
		Compressor Crankcase Heater	Factory Standard - See Compressor Group					
		Compressor Sound Cover	68-23427-25	68-23427-25	68-23427-25			
		Compressor Hard Start Kit	N/A	N/A	SK-A1			

No.	Notes	MODEL COOLING CAPACITY VARIATION	RP14 18 FJ1NA	RP14 24 FJ1NA	RP14 30 FJ1NA	RP14 36 FJ1NA	RP14 42 FJ1NA	RP14 48 FJ1NA
<b>ACCESSORIES</b>								
		Low Ambient Control	RXAD-A08	RXAD-A08	RXAD-A08	RXAD-A08	RXAD-A08	RXAD-A08
		Compressor Crankcase Heater	44-17402-44	44-17402-44	44-17402-44	44-17402-44	44-17402-45	44-17402-45
		Compressor Sound Cover	68-23427-26	68-23427-26	68-23427-26	68-23427-26	68-23427-25	68-23427-25
		Compressor Hard Start Kit	SK-A1	SK-A1	SK-A1	SK-A1	SK-A1	SK-A1

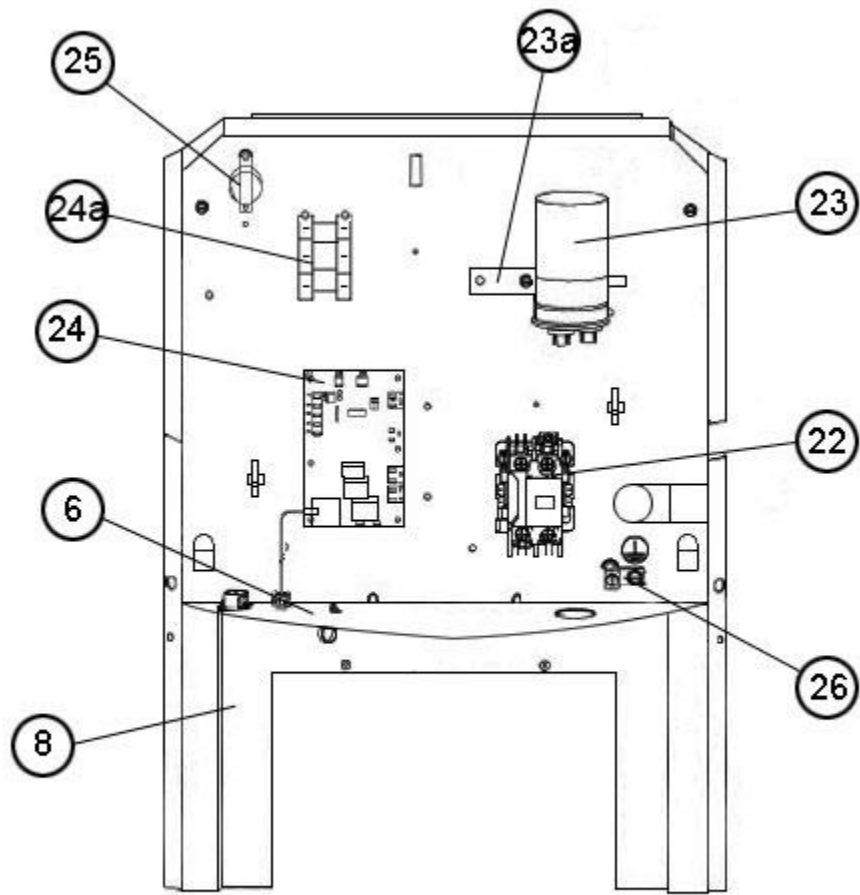
No.	Notes	MODEL COOLING CAPACITY VARIATION	RP14 60 FJ1NA					
<b>ACCESSORIES</b>								
		Low Ambient Control	RXAD-A08					
		Compressor Crankcase Heater	Factory Standard					
		Compressor Sound Cover	68-23427-25					
		Compressor Hard Start Kit	SK-A1					

No.	Notes	MODEL COOLING CAPACITY VARIATION	RP14 18 AJPNA	RP14 24 AJPNA	RP14 30 AJPNA	RP14 36 AJPNA	RP14 42 AJPNA	RP14 48 AJPNA
<b>ACCESSORIES</b>								
		Low Ambient Control	RXAD-A08	RXAD-A08	RXAD-A08	RXAD-A08	RXAD-A08	RXAD-A08
		Compressor Crankcase Heater	44-17402-44	44-17402-44	44-17402-44	44-17402-44	44-17402-45	44-17402-45
		Compressor Sound Cover	68-23427-26	68-23427-26	68-23427-26	68-23427-26	68-23427-25	68-23427-25
		Compressor Hard Start Kit	SK-A1	SK-A1	SK-A1	SK-A1	SK-A1	SK-A1

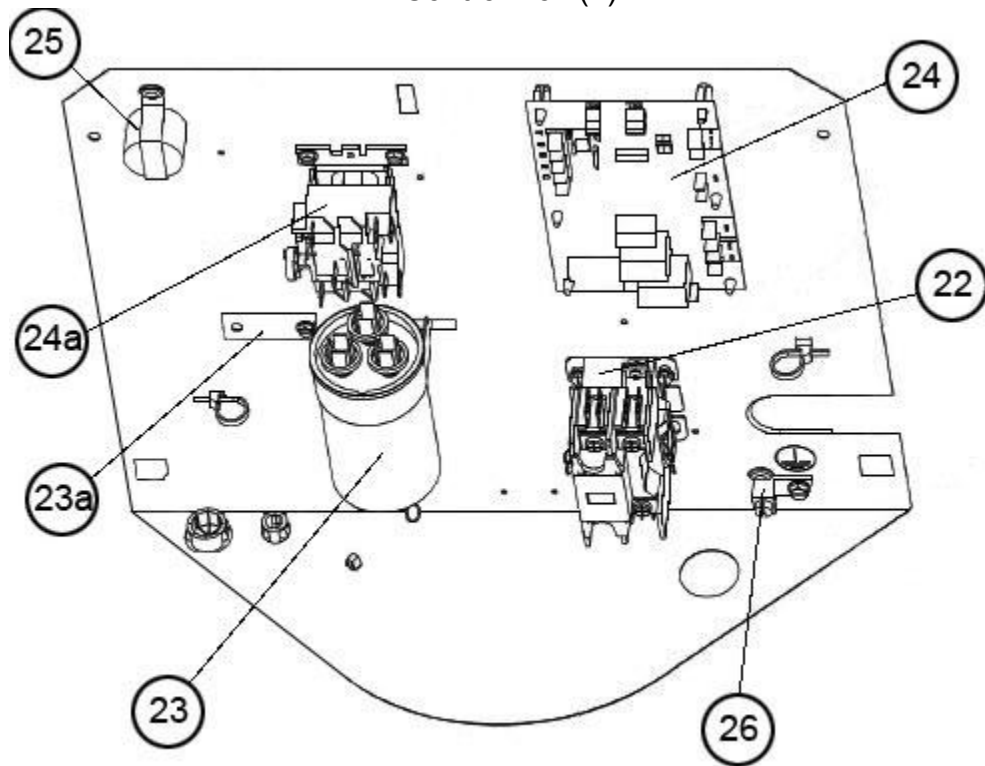
No.	Notes	MODEL COOLING CAPACITY VARIATION	RP14 60 AJPNA					
<b>ACCESSORIES</b>								
		Low Ambient Control	RXAD-A08					
		Compressor Crankcase Heater	Factory Standard					
		Compressor Sound Cover	68-23427-25					
		Compressor Hard Start Kit	SK-A1					



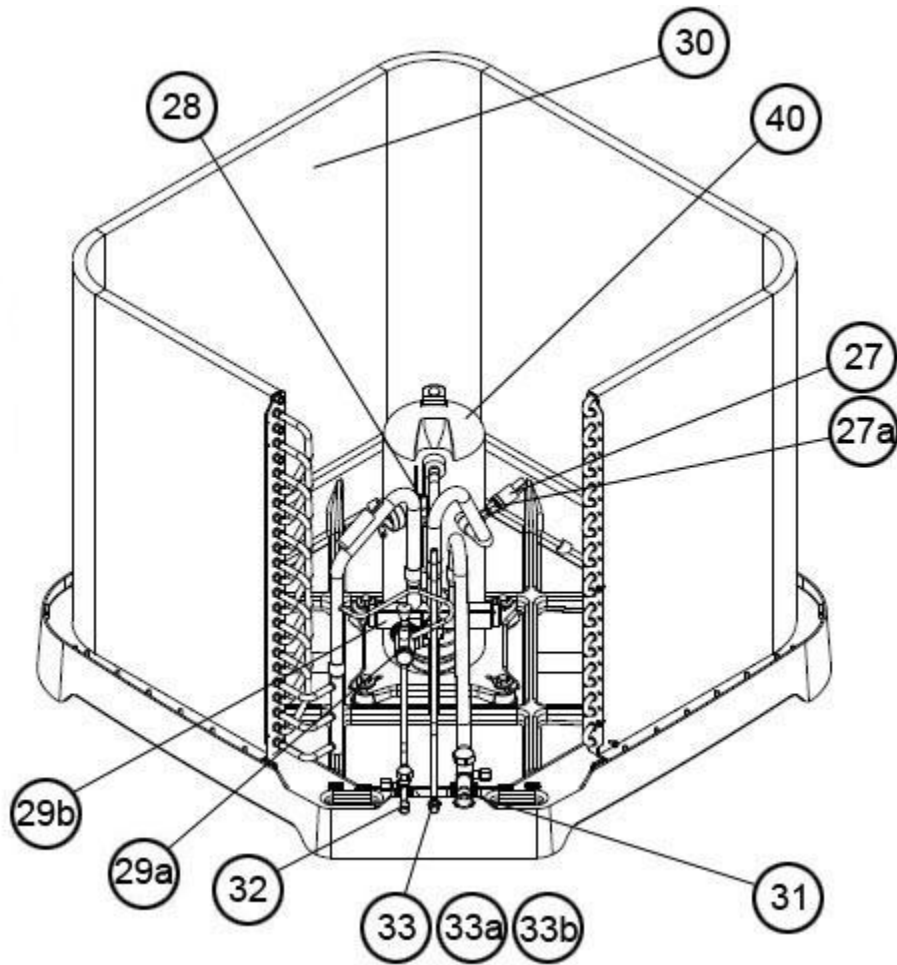
Exploded View



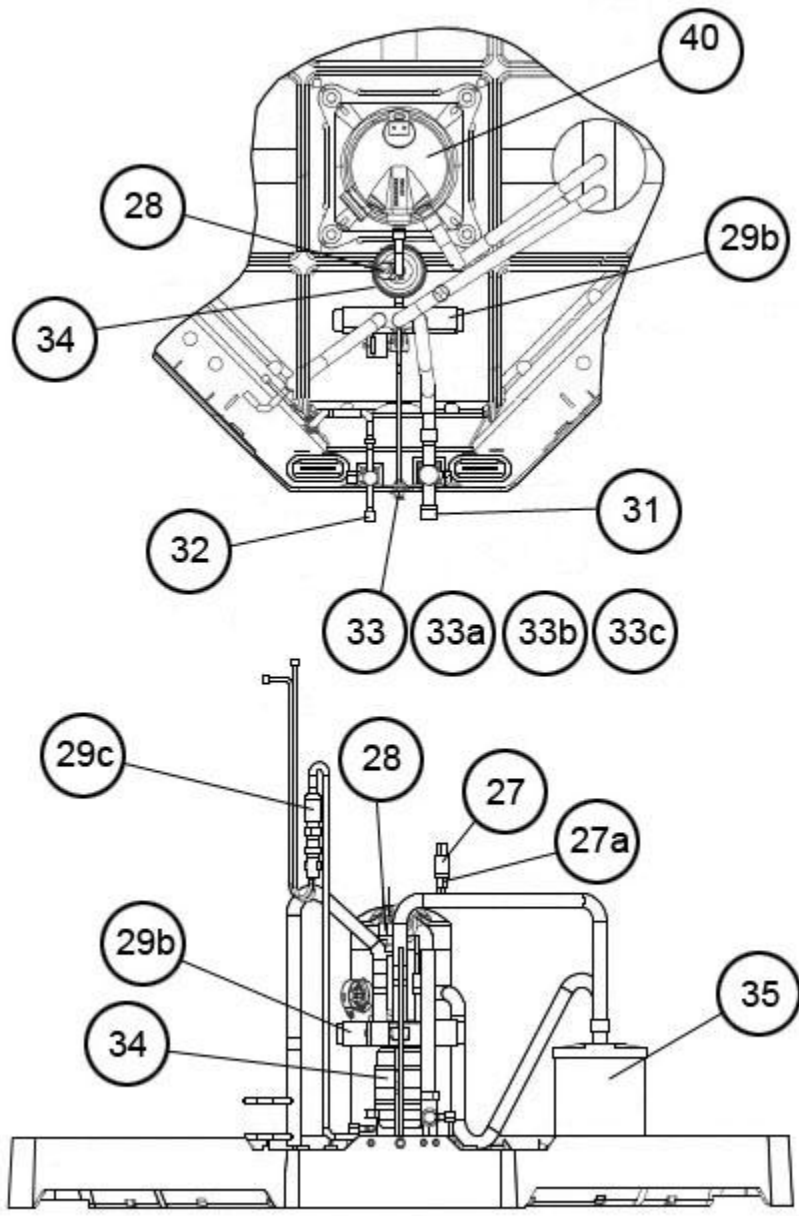
Control Box (1)



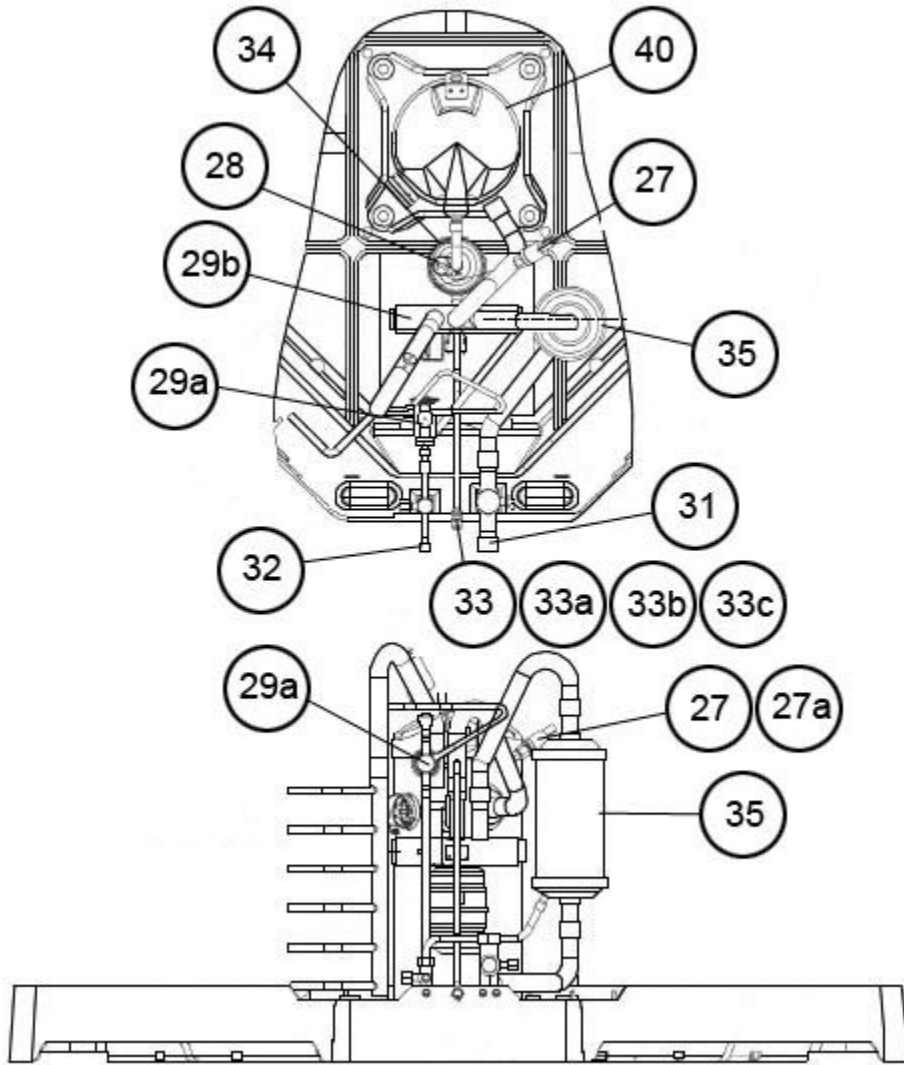
Control Box (2)



Valve Mounting, Compressor



Distributor-Piston Variants



TXV Variants



# NOTES

Stk It is recommended that stock be maintained for this part.

N/A Not Applicable

- 1 Production has utilized both Three-phase and Single-phase fan motors on some units. For these, it is necessary to verify motor type before ordering.

**DISCLAIMER:** This document is intended to provide general replacement parts information to aid qualified service personnel in the repair of these models. The complete Model and Serial Number of the unit under repair should be specified when selecting and ordering replacement parts. Specifications and illustrations are subject to change without notice. Document 92-42800-RP14 supersedes all previous parts lists for these models. See <http://www.rheempartslists.net/92-42800-RP14> for the latest revision of this document. The manufacturer assumes no obligation for errors or omissions. Service personnel must verify the proper and safe operation of equipment after the replacement of any original components.