



## RESIDENTIAL & LIGHT DUTY COMMERCIAL GAS REPLACEMENT PARTS LIST

### High-Input Direct Vent Models



“RG2DV” & “LG2DV” Models

**DEFENDER**  
SAFETY SYSTEM®

Includes Hydrojet®  
Total Performance System

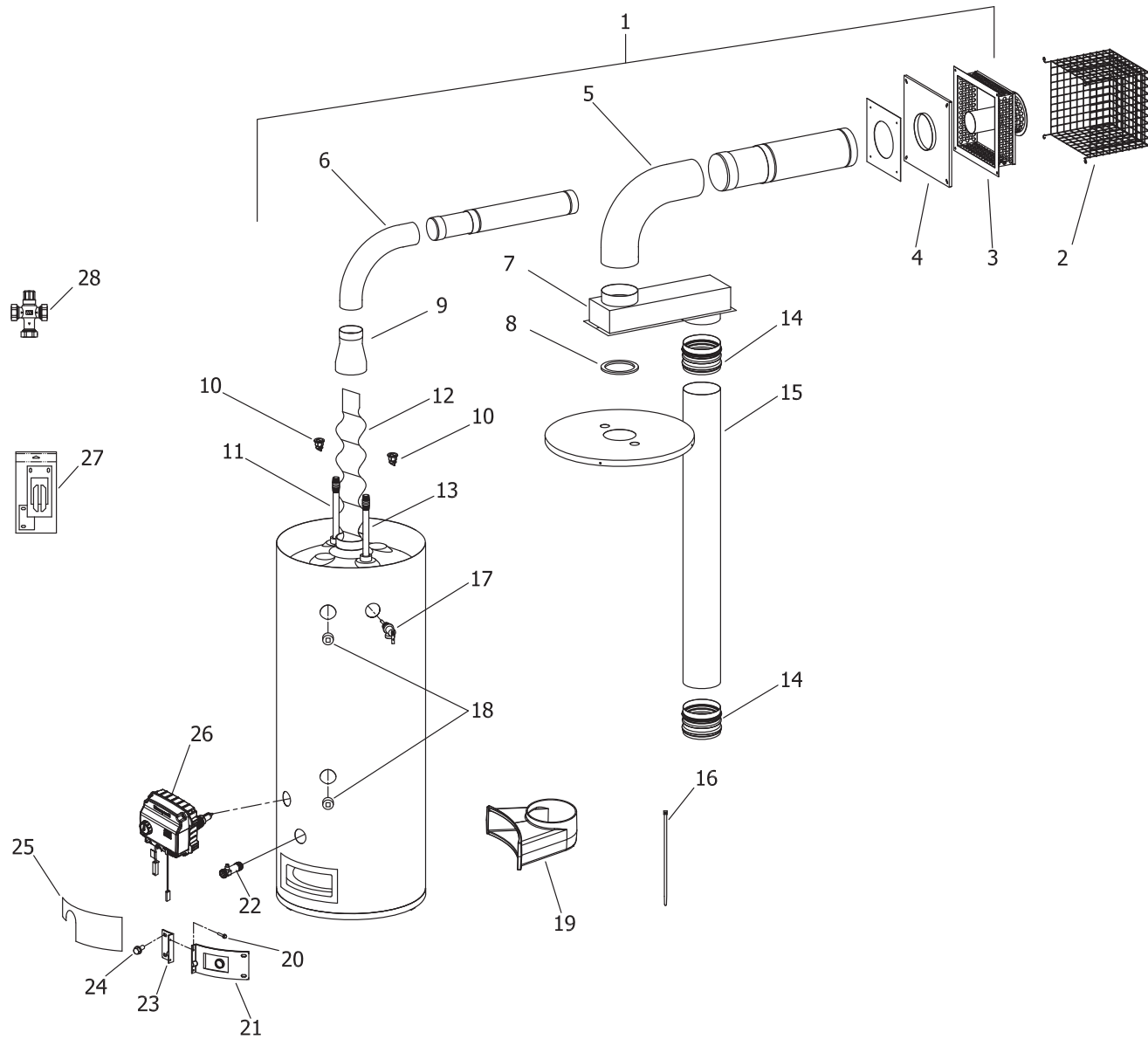
*Effective: January, 2019*  
**ECO 8235**

NOTE: BOTH MODEL AND SERIAL  
NUMBERS ARE REQUIRED FOR  
ORDERING REPLACEMENT PARTS

Dimensions and specifications  
subject to change without notice.



As required by the state of California Proposition 65.



Item	Description	Model	Model	Model	Model
		RG2DV40S*(N,X) (-OLY,-FLX,-SLD)	RG2DV50S*(N,X) (-OLY,-FLX,-SLD)	RG2DV50H*(N,X) (-OLY,-FLX,-SLD)	LG2DV50H50*(N,X) (-OLY,-FLX,-SLD)
1	Aluminum Venting (Solid)	239-51283-00	239-51283-00	239-51286-00	239-51286-00
	Aluminum Venting (Flexible)	239-51284-00	239-51284-00	239-51287-00	239-51287-00
2	Direct Vent-Air Intake Terminal Guard (Optional)	239-41453-00	239-41453-00	239-41453-00	239-41453-00
3	Direct Vent-Air Intake Terminal (Flexible & Solid)	239-41425-00	239-41425-00	239-42274-00	239-42274-00
4	Outer Wall Mounting Plate (Flexible & Solid)	239-41431-00	239-41431-00	239-42447-00	239-42447-00
5	Six inch Diameter Elbow (Solid Only)	---	---	239-42067-00	239-42067-00
	Five inch Diameter Elbow (Solid Only)	239-41007-00	239-41007-00	---	---
6	Four inch Diameter Elbow (Solid Only)	---	---	239-42068-00	239-42068-00
	Three inch Diameter Elbow (Solid Only)	239-41008-00	239-41008-00	---	---
7	Plenum	239-47663-00	239-47663-00	239-47668-01	239-47668-01
8	Plenum Gasket	239-41070-01	239-41070-01	239-41070-02	239-41070-02
9	Flue Reducer	239-41009-00	239-41009-00	239-42066-00	239-42066-00
10	Heat Trap Insert (Outlet & Inlet) Kit	265-51572-00	265-51572-00	265-51572-00	265-51572-00
11	Hot Water Outlet Anode (Magnesium)▲ #	224-47776-19	224-47776-19	224-47776-19	224-47776-19
	Hot Water Outlet Anode (Aluminum)▲#	224-32999-42	224-32999-42	224-32999-42	224-32999-42
	Hot Water Outlet Anode (A420 Aluminum)▲#	224-49560-10	224-49560-10	224-49560-10	224-49560-10
12	Flue Baffle	243-47511-00	243-51013-00	243-50921-00	243-50921-00
13	Cold Water Inlet Dip Tube (PEX)▲▲	229-51230-25	229-51230-26	229-51230-20	229-51230-25
14	Coupler (2 Required)◆	239-50102-00	239-50102-00	239-50102-00	239-50102-00
15	Air Intake Tube	239-50099-05	239-50099-06	239-50099-06	239-50099-06
16	Wire Tie	239-44328-00	239-44328-00	239-44328-00	239-44328-00
17	T&P Relief Valve	230-40594-02	230-40594-02	230-40594-02	230-40594-02
18	3/4 NPT Plug	---	---	239-11638-00	239-11638-00
19	Air Intake Boot w/ Gasket	239-47771-18	239-47771-18	239-47771-18	239-47771-18
20	Screw-8-15 X 3/4 INHXWS Slot	239-44195-00	239-44195-00	239-44195-00	239-44195-00
21	Right Side Inner Door w/ Gasket	239-45642-18	239-45642-18	239-45642-18	239-45642-18
22	Brass Drain Valve	265-42351-02	265-42351-02	265-42351-02	265-42351-02
23	Left Side Inner Door w/ Gasket	239-43968-18	239-43968-18	239-43968-18	239-43968-18
24	Screw-#10-12 x 3/4 HWH	239-52581-00	239-52581-00	239-52581-00	239-52581-00
25	Outer Door	243-43962-00	243-43962-00	243-43962-00	243-43962-00
26	Gas Control Direct Replacement Natural Gas	415-52907-02	415-52907-02	415-52907-02	415-52908-02
	Gas Control Direct Replacement LP Gas	415-52909-02	415-52909-02	415-52909-02	415-52910-02
27	Inner Door Gasket Kit	239-49987-00	239-49987-00	239-49987-00	239-49987-00
28	ASSE Approved Mixing Valve (Optional)	239-51778-00	239-51778-00	239-51778-00	239-51778-00

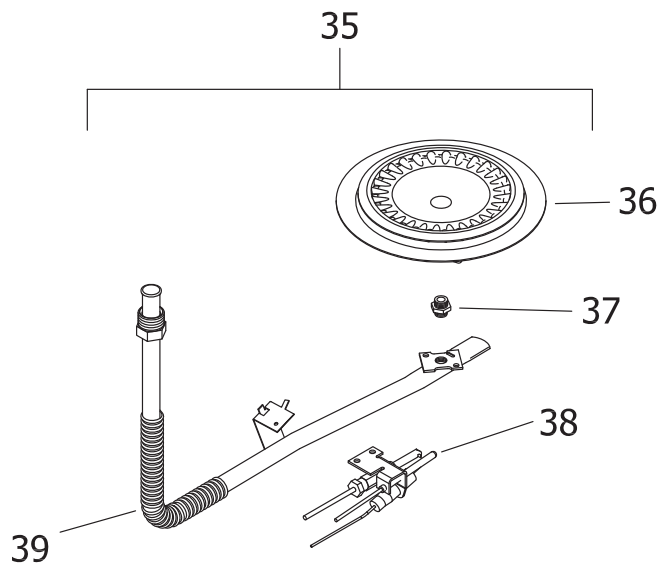
\*Applies to all warranties

#Anode may need to be cut to length

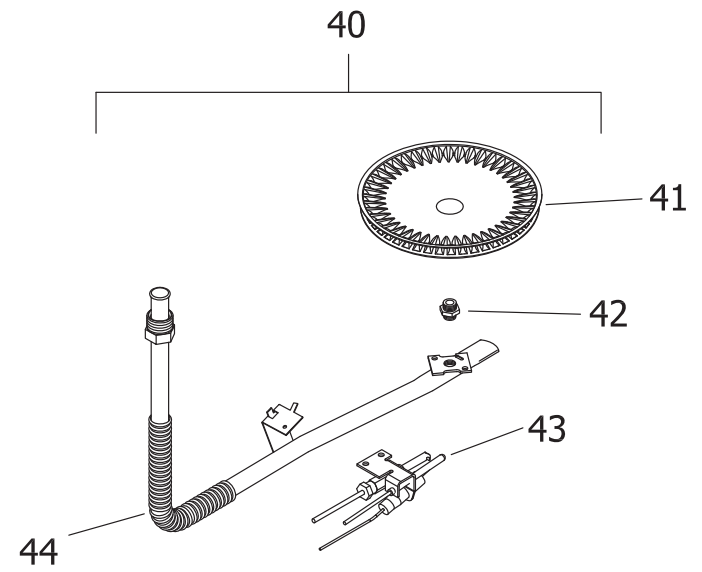
◆ Air intake tube (item# 15) should be purchased with coupler (item 14).

▲ Order with item# 10

▲▲ Order with item# 13



NATURAL GAS (N) BURNER ASSEMBLY



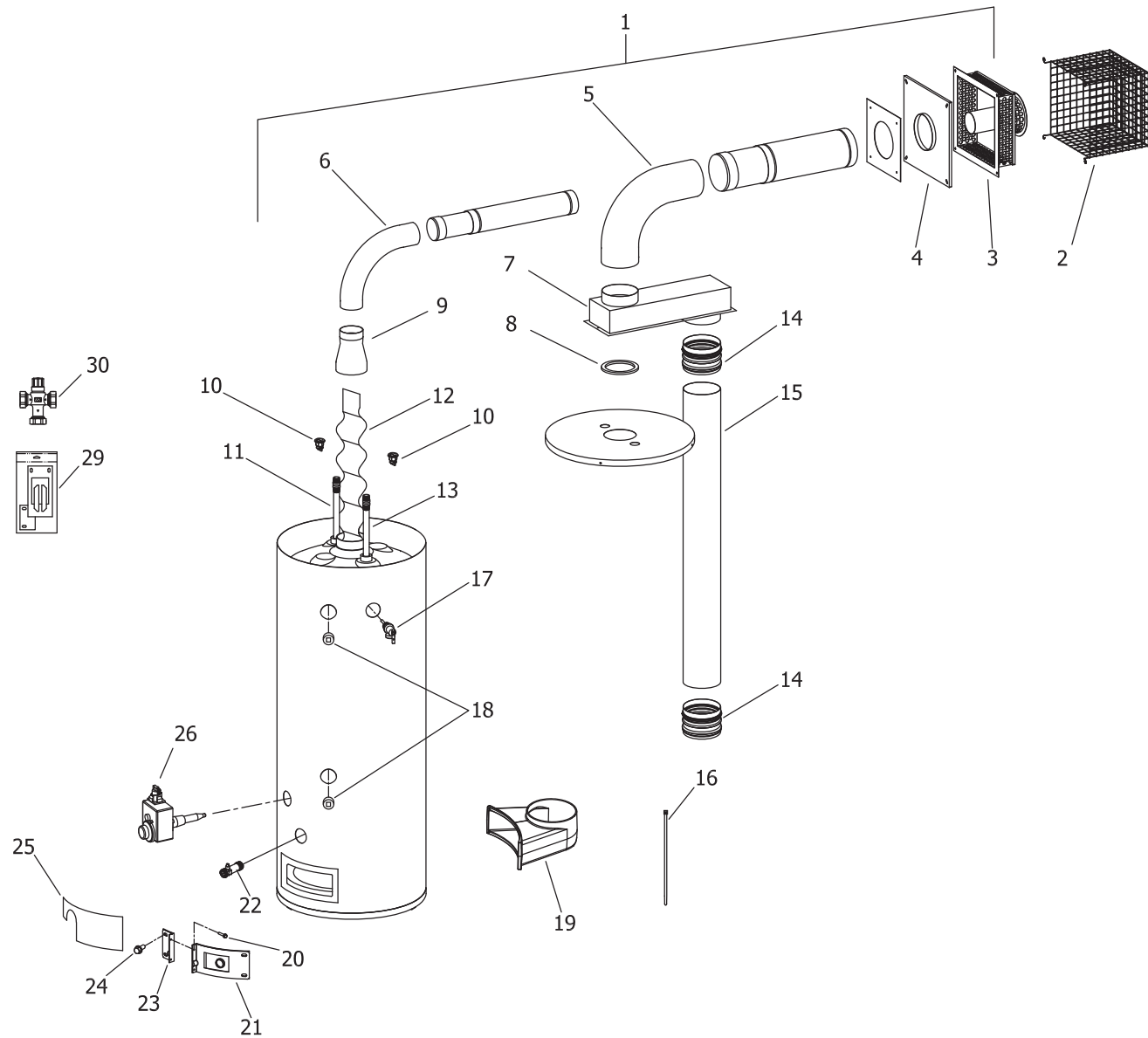
LP GAS (X) BURNER ASSEMBLY

Item	Description	Model	Model	Model	Model
		RG2DV40S*(N,X) (-OLY,-FLX,-SLD)	RG2DV50S*(N,X) (-OLY,-FLX,-SLD)	RG2DV50H*(N,X) (-OLY,-FLX,-SLD)	LG2DV50H50*(N,X) (-OLY,-FLX,-SLD)
<b>Natural Gas (N) Burner Assembly</b>					
35	Nat. Gas Burner Assembly Complete***	265-47439-10-33	265-47439-10-32	265-47439-10-31	265-47439-10-31
36	Nat. Gas BN Burner**	228-42506-00	228-42506-00	228-42506-00	228-42506-00
37	Nat. Gas (N) Main Burner Orifice 0 Ft. to 2,000 Ft. **	234-41034-33	234-41034-32	234-41034-31	234-41034-31
	Nat. Gas (N) High Altitude Orifice 0 Ft. to 7,000 Ft. (-475 model suffixes) **	234-41034-38	234-41034-36	234-41034-35	234-41034-35
	Nat. Gas (N) High Altitude Orifice Kit 7,001 Ft. to 10,000 Ft.	265-51311-02-41	265-51311-02-40	265-51311-02-38	265-51311-02-38
38	Nat. Gas Pilot Assembly	233-41062-03	233-41062-03	233-48077-03	233-48077-03
39	Nat. Gas Feedline	233-48095-05	233-48095-05	233-48095-05	233-48095-05
<b>LP Gas (X) Burner Assembly</b>					
40	LP Gas Burner Assembly Complete***	265-47440-28-50	265-47440-28-49	265-47440-29-47	265-47440-29-47
41	LP Gas (X) Burner**	228-46964-00	228-46964-00	228-47000-00	228-47000-00
42	LP Gas (X) Main Burner Orifice 0 Ft. to 2,000 Ft. **	234-47064-50	234-47064-49	234-47064-47	234-47064-47
	LP Gas (X) High Altitude Orifice 0 Ft. to 7,000 ft. (-475 model suffixes) **	234-47064-52	234-47064-51	234-47064-50	234-47064-50
	LP Gas (X) High Altitude Orifice Kit 7,001 Ft. to 10,000 Ft. **	265-51367-02-53	265-51367-02-53	265-51367-02-51	265-51367-02-51
43	LP Gas Pilot Assembly**	233-41063-03	233-41063-03	233-48078-03	233-48078-03
44	LP Gas Feedline	233-47677-05	233-47677-05	233-47677-05	233-47677-05
	LP Gas (X) to Nat. Gas (N) Conversion kit	265-47452-31	265-47452-33	265-47452-35	265-47452-37
	LP Gas (X) to Nat. Gas (N) Conversion kit (hi alt. -475 model suffixes)	265-47452-32	265-47452-34	265-47452-36	265-47452-38

\*Applies to all warranties

\*\*Inner door gasket kit recommended

\*\*\*Ordering a complete burner assembly may increase delivery time. Please order the specific component required for the quickest delivery.



Item	Description	Model	Model	Model	Model
		RG2DV40S*(N,X) (-OLY,-FLX,-SLD) -500	RG2DV50S*(N,X) (-OLY,-FLX,-SLD) -500	RG2DV50H*(N,X) (-OLY,-FLX,-SLD) -500	LG2DV50H50*(N,X) (-OLY,-FLX,-SLD) -500
1	Aluminum Venting (Solid)	239-51283-00	239-51283-00	239-51286-00	239-51286-00
	Aluminum Venting (Flexible)	239-51284-00	239-51284-00	239-51287-00	239-51287-00
2	Direct Vent-Air Intake Terminal Guard (Optional)	239-41453-00	239-41453-00	239-41453-00	239-41453-00
3	Direct Vent-Air Intake Terminal (Flexible & Solid)	239-41425-00	239-41425-00	239-42274-00	239-42274-00
4	Outer Wall Mounting Plate (Flexible & Solid)	239-41431-00	239-41431-00	239-42447-00	239-42447-00
5	Six inch Diameter Elbow (Solid Only)	---	---	239-42067-00	239-42067-00
	Five inch Diameter Elbow (Solid Only)	239-41007-00	239-41007-00	---	---
6	Four inch Diameter Elbow (Solid Only)	---	---	239-42068-00	239-42068-00
	Three inch Diameter Elbow (Solid Only)	239-41008-00	239-41008-00	---	---
7	Plenum	239-47663-00	239-47663-00	239-47668-01	239-47668-01
8	Plenum Gasket	239-41070-01	239-41070-01	239-41070-02	239-41070-02
9	Flue Reducer	239-41009-00	239-41009-00	239-42066-00	239-42066-00
10	Heat Trap Insert (Outlet & Inlet) Kit	265-51572-00	265-51572-00	265-51572-00	265-51572-00
11	Hot Water Outlet Anode (Magnesium)▲ #	224-47776-19	224-47776-19	224-47776-19	224-47776-19
	Hot Water Outlet Anode (Aluminum)▲#	224-32999-42	224-32999-42	224-32999-42	224-32999-42
	Hot Water Outlet Anode (A420 Aluminum)▲#	224-49560-10	224-49560-10	224-49560-10	224-49560-10
12	Flue Baffle	243-47511-00	243-51013-00	243-50921-00	243-50921-00
13	Cold Water Inlet Dip Tube (PEX)▲▲	229-51230-25	229-51230-26	229-51230-20	229-51230-25
14	Coupler (2 Required)◆	239-50102-00	239-50102-00	239-50102-00	239-50102-00
15	Air Intake Tube	239-50099-05	239-50099-06	239-50099-06	239-50099-06
16	Wire Tie	239-44328-00	239-44328-00	239-44328-00	239-44328-00
17	T&P Relief Valve	230-40594-02	230-40594-02	230-40594-02	230-40594-02
18	3/4 NPT Plug	---	---	239-11638-00	239-11638-00
19	Air Intake Boot w/ Gasket	239-47771-18	239-47771-18	239-47771-18	239-47771-18
20	Screw-8-15 X 3/4 INHXWS Slot	239-44195-00	239-44195-00	239-44195-00	239-44195-00
21	Right Side Inner Door w/ Gasket	239-45642-18	239-45642-18	239-45642-18	239-45642-18
22	Brass Drain Valve	265-42351-02	265-42351-02	265-42351-02	265-42351-02
23	Left Side Inner Door w/ Gasket	239-43968-18	239-43968-18	239-43968-18	239-43968-18
24	Screw-#10-12 x 3/4 HWH	239-52581-00	239-52581-00	239-52581-00	239-52581-00
25	Outer Door	243-43962-00	243-43962-00	243-43962-00	243-43962-00
26	Gas Control Natural Gas (White Rodgers)	265-40251-03	265-40251-03	265-40251-03	265-40251-03
	Gas Control LP Gas (White Rodgers)	265-46182-01	265-46182-01	265-46182-01	265-46182-01
27	Piezo Igniter	239-43448-00	239-43448-00	239-43448-00	239-43448-00
28	Piezo Igniter Mounting Bracket	239-46157-02	239-46157-02	239-46157-02	239-46157-02
29	Inner Door Gasket Kit	239-49987-00	239-49987-00	239-49987-00	239-49987-00
30	ASSE Approved Mixing Valve (Optional)	239-51778-00	239-51778-00	239-51778-00	239-51778-00

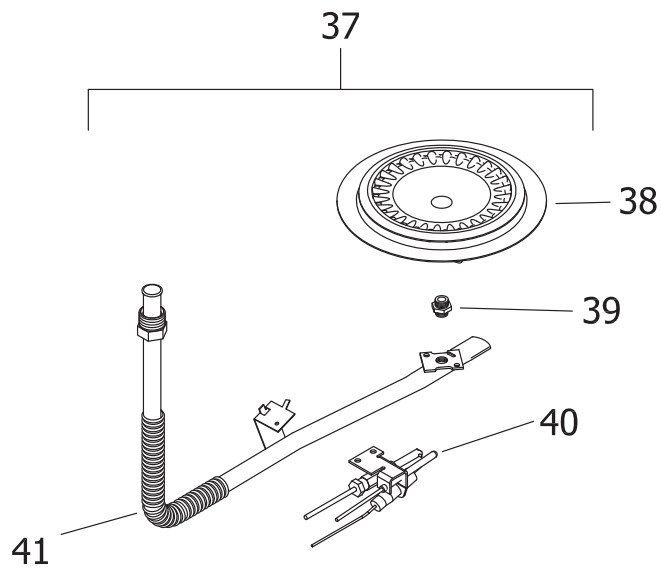
\*Applies to all warranties

# Anode may need to be cut to length

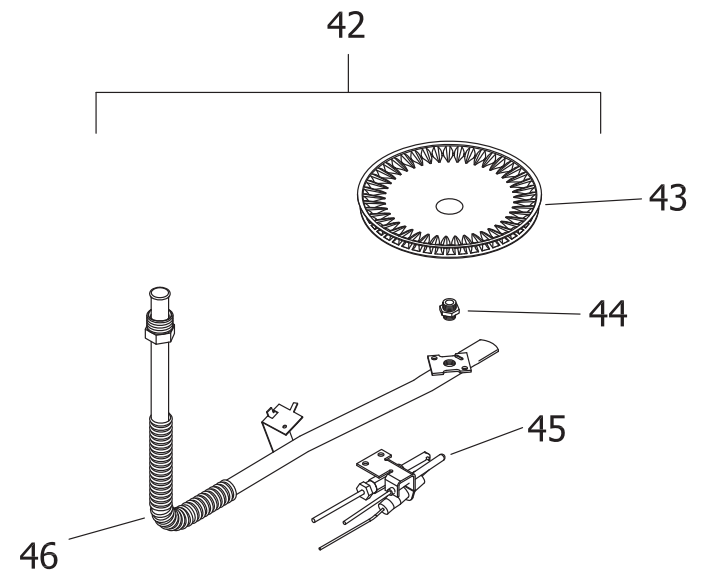
◆ Air intake tube (item# 15) should be purchased with coupler (item# 14).

▲ Order with item# 10

▲▲ Order with item# 13



NATURAL GAS (N) BURNER ASSEMBLY



LP GAS (X) BURNER ASSEMBLY





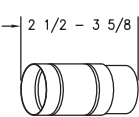
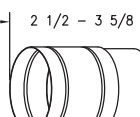

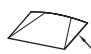
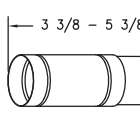
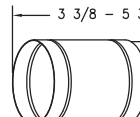
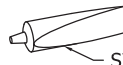

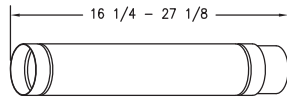
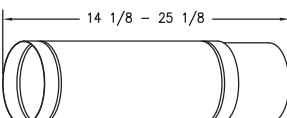


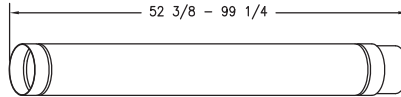
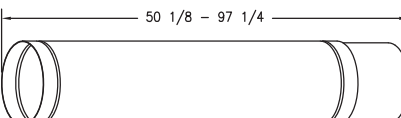
Item	Description	Model	Model	Model	Model
		RG2DV40S*(N,X) (-OLY,-FLX,-SLD) -500	RG2DV50S*(N,X) (-OLY,-FLX,-SLD) -500	RG2DV50H*(N,X) (-OLY,-FLX,-SLD) -500	LG2DV50H50*(N,X) (-OLY,-FLX,-SLD) -500
<b>Natural Gas (N) Burner Assembly</b>					
37	Nat. Gas (N) Burner Assembly Complete***	265-47439-10-33	265-47439-10-32	265-47439-10-31	265-47439-10-31
38	Nat. Gas (N) Burner**	228-42506-00	228-42506-00	228-42506-00	228-42506-00
39	Nat. Gas (N) Main Burner Orifice 0 Ft. to 2,000 Ft.**	234-41034-33	234-41034-32	234-41034-31	234-41034-31
40	Nat. Gas (N) Pilot Assembly**	233-41062-03	233-41062-03	233-46277-04	233-46277-04
<b>LP Gas (X) Burner Assembly</b>					
41	LP Gas (X) Burner Assembly Complete***	265-47440-28-50	265-47440-28-49	265-47440-29-47	265-47440-29-47
42	LP Gas (X) Burner**	228-46964-00	228-46964-00	228-47000-00	228-47000-00
43	LP Gas (X) Main Burner Orifice 0 Ft. to 2,000 Ft.**	234-47064-49	234-47064-49	234-47064-47	234-47064-47
44	LP Gas (X) Pilot Assembly**	233-41063-03	233-41063-03	233-46278-04	233-46278-04

\*Applies to all warranties

\*\*Inner door gasket kit recommended

\*\*\*Ordering a complete burner assembly may increase delivery time. Please order the specific component required for the quickest delivery.

## SOLID VENT KITS

 <p style="text-align: center;">SILICONE SEALANT</p>  <p style="text-align: center;">BAG OF MOUNTING HARDWARE</p> <div style="display: flex; justify-content: space-around; align-items: center;"> <div style="text-align: center;">  <p>2 1/2 - 3 5/8</p> </div> <div style="text-align: center;">  <p>2 1/2 - 3 5/8</p> </div> </div> <p style="text-align: center;">DIRECT VENT-AIR INTAKE KIT F PART NO. 239-42516-00 (OPTIONAL)</p>	 <p style="text-align: center;">SILICONE SEALANT</p>  <p style="text-align: center;">BAG OF MOUNTING HARDWARE</p> <div style="display: flex; justify-content: space-around; align-items: center;"> <div style="text-align: center;">  <p>3 3/8 - 5 3/8</p> </div> <div style="text-align: center;">  <p>3 3/8 - 5 3/8</p> </div> </div> <p style="text-align: center;">DIRECT VENT-AIR INTAKE KIT G PART NO. 239-42517-00 (OPTIONAL)</p>
 <p style="text-align: center;">SILICONE SEALANT</p>  <p style="text-align: center;">BAG OF MOUNTING HARDWARE</p> <div style="display: flex; flex-direction: column; align-items: center; gap: 10px;"> <div style="text-align: center;">  <p>16 1/4 - 27 1/8</p> </div> <div style="text-align: center;">  <p>14 1/8 - 25 1/8</p> </div> </div> <p style="text-align: center;">DIRECT VENT-AIR INTAKE KIT H PART NO. 239-42514-00 (OPTIONAL) ABOVE TUBE LENGTHS SUPPLIED WITH HEATER</p>	 <p style="text-align: center;">SILICONE SEALANT</p>  <p style="text-align: center;">BAG OF MOUNTING HARDWARE</p> <div style="display: flex; flex-direction: column; align-items: center; gap: 10px;"> <div style="text-align: center;">  <p>52 3/8 - 99 1/4</p> </div> <div style="text-align: center;">  <p>50 1/8 - 97 1/4</p> </div> </div> <p style="text-align: center;">DIRECT VENT-AIR INTAKE KIT I PART NO. 239-42512-00 (OPTIONAL)</p>

**SOLID VENT KITS**

		Horizontal "X"				
		16 1/4 17 3/16	18 20 11/16	25 1/4 35 3/16	37 3/4 57 7/8	61 5/16 107 5/16
Vertical "Y"	11 9/16	order kit F 239-42516-00	order kit G 239-42517-00	<b>no add'l kit req'd</b>	order kit H 239-42514-00	order kit I 239-42512-00
	16 5/16 17 1/4	order kit F *(2) 239-42516-00	order kit F & G 239-42516-00 239-42517-00	order kit F 239-42516-00	order kit F & H 239-42516-00 239-42514-00	order kit F & I 239-42516-00 239-42512-00
	18 1/16 20 3/4	order kit F & G 239-42516-00 239-42517-00	order kit G *(2) 239-42517-00	order kit G 239-42517-00	order kit G & H 239-42517-00 239-42514-00	order kit G & I 239-42517-00 239-42512-00
	25 5/16 35 1/4	order kit F 239-42516-00	order kit G 239-42517-00	order kit H 239-42514-00	order kit H *(2) 239-42514-00	order kit I 239-42512-00
	38 1/16 57 15/16	order kit F & H 239-42516-00 239-42514-00	order kit G & H 239-42517-00 239-42514-00	order kit H *(2) 239-42514-00	order kit H *(3) 239-42514-00	order kit H & I 239-42514-00 239-42512-00
	61 3/8 107 3/8	order kit F & I 239-42516-00 239-42512-00	order kit G & I 239-42517-00 239-42512-00	order kit I 239-42512-00	order kit H & I 239-42514-00 239-42512-00	order kit I *(2) 239-42512-00

\*(2) = Order two kits

\*(3) = Order three kits

**FLEXIBLE VENT KITS**

Vertical Vent Height + Horizontal Vent Length	Kit Part Number
Less than 100 inches	239-48915-00
More than 100 inches	N/A*

\*Do not attempt to use flexible vent hose at a distance greater than 100 inches.



# **BRADFORD WHITE®**

W A T E R H E A T E R S

Ambler, PA

For U.S. and Canada field service,  
contact your professional installer or  
local Bradford White sales representative.

**Sales/800-523-2931**

**Technical Support/800-334-3393**  
**Email/techserv@bradfordwhite.com**

**Warranty/800-531-2111**  
**Email/warranty@bradfordwhite.com**

**Service Parts/800-538-2020**  
**Email/Parts@bradfordwhite.com**

**International:**  
**international@bradfordwhite.com**



# **BRADFORD WHITE™**

## **CANADA**

Halton Hills, Ontario, Canada

**Sales & Technical Support/866-690-0961**  
**905-203-0600**

**Fax/905-636-0666**

### **Email**

**Warranty/bwccwarranty@bradfordwhite.com**  
**Technical Support/BWCCTech@bradfordwhite.com**  
**Parts/orders@bradfordwhitecanada.com**  
**Orders/ca.orders@bradfordwhite.com**

**www.bradfordwhite.com**