

SPLASHABLES®

*Complement
your purchase
with these
fine accessories
also from
GINGER®:*

*Lights
Mirrors
Bud Vases
Towel Bars
Towel Rings
Toilet Tissue Holders
Hooks
Soap Dishes
Tumbler Holders
Toiletry Shelves
Shower Curtain Rods
Soap & Bottle Baskets
Hotel Shelves
Grab Bars
Cabinet Hardware*

INSTALLATION INSTRUCTIONS

for

500, 501

502, 503

BASKETS

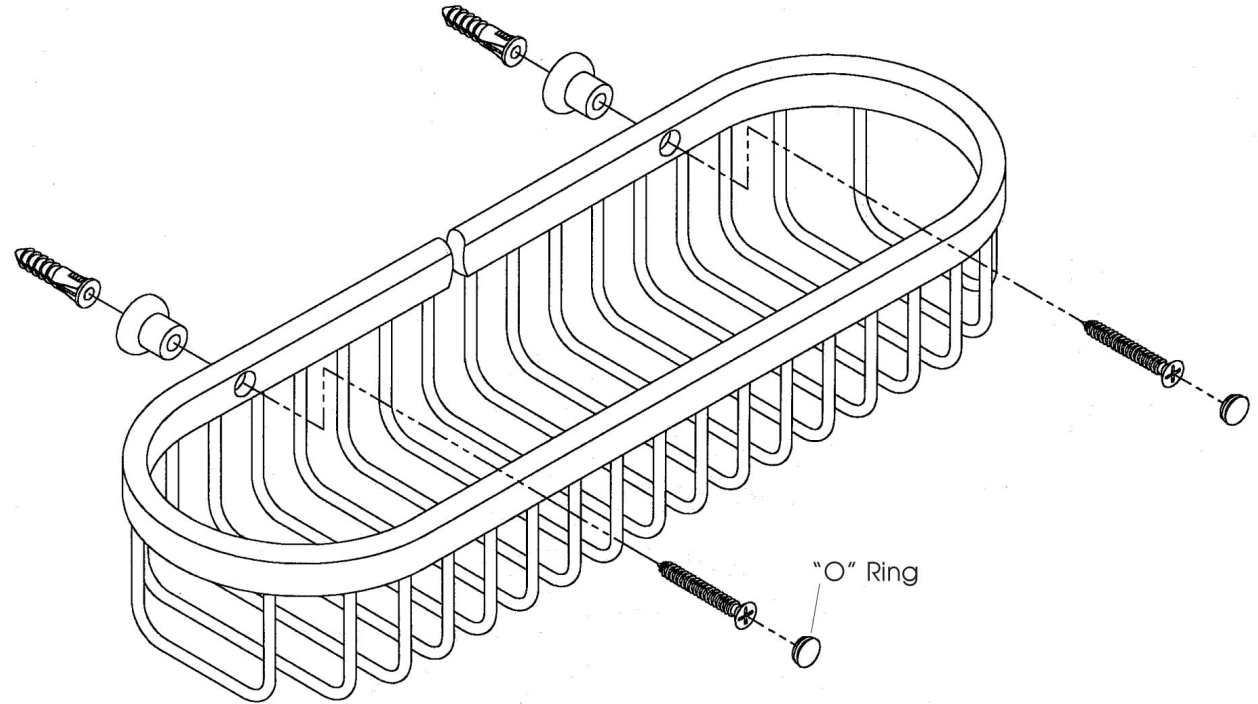
GINGER
Luxury For Your Lifestyle®

2001 CARNEGIE AVENUE
SANTA ANA, CA 92705
949-417-5207
www.gingerco.com

GINGER
Luxury For Your Lifestyle®

SPLASHABLES®

FOR
GINGER
500
501
502
503
BASKETS



To prevent loss of small parts, cover drain before beginning.

- 1. Position the basket on the wall and mark the location of the mounting screws.
- 2. To mount on Tile, Drill 1/4" (6mm) holes on the marks.
To mount on Drywall, Drill 3/16" (5mm) holes on the marks.
- 3. Push the plastic wall anchors into the holes until the flanges contact the wall.
- 4. Insert the mounting screws through the basket frame and posts and tighten into wall anchors.
- 5. Place "O" Ring on screw cover then Insert screw covers. Wetting the black rubber "O" Ring will make insertion easier.