



BRADFORD WHITE[®]
W A T E R H E A T E R S

REPLACEMENT PARTS LIST

**Ultra Low NOx
Residential & Light Duty Commercial Gas
Direct Vent Models**

“URG2” & “ULG2” Models



Includes Hydrojet[®]
Total Performance System

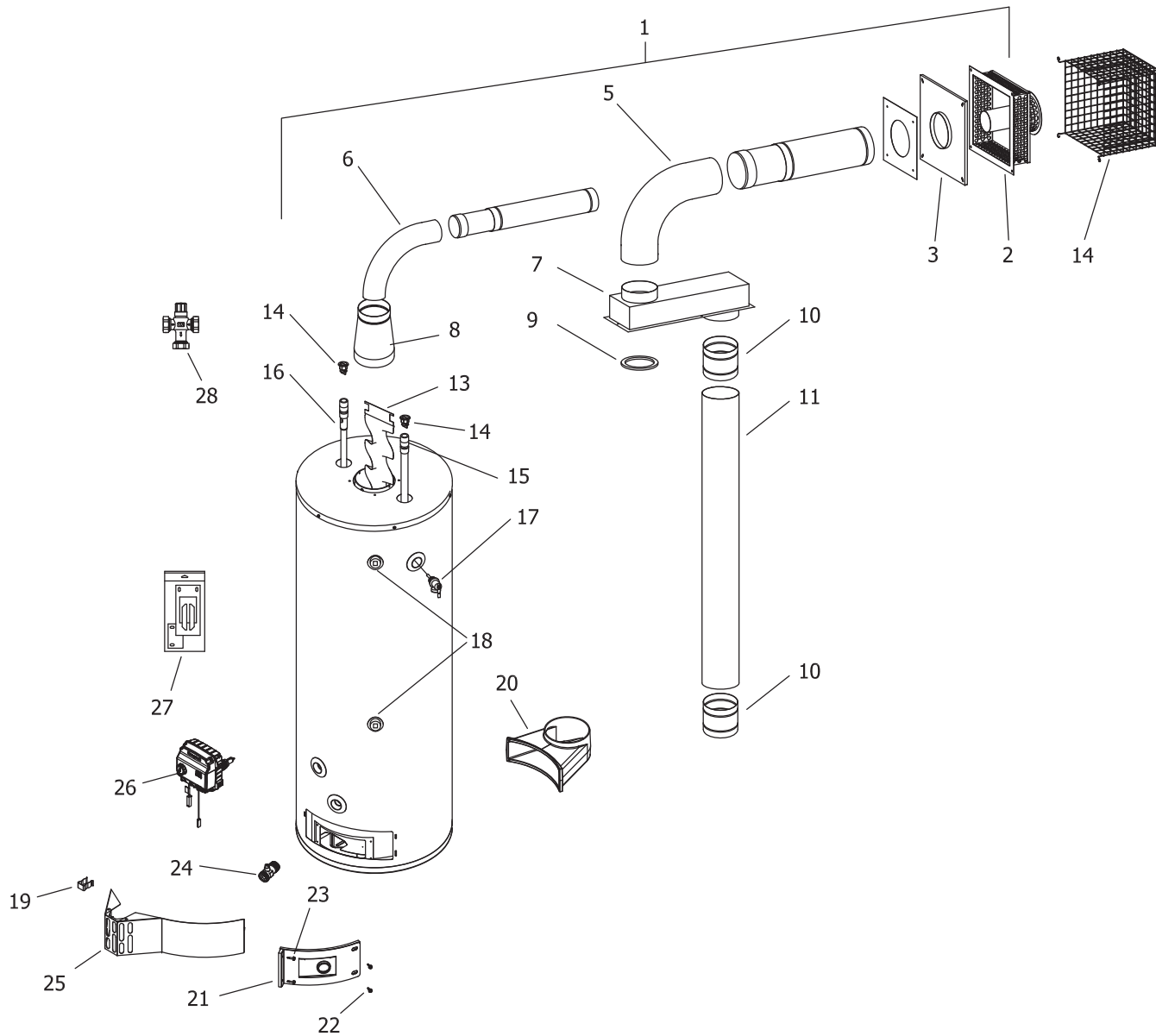
**Effective: October, 2018
ECO 8188**

**NOTE: BOTH MODEL AND SERIAL
NUMBERS ARE REQUIRED FOR
ORDERING REPLACEMENT PARTS**

Dimensions and specifications
subject to change without notice.



As required by the state of California Proposition 65.



Item	Description	Model	Model	Model	Model
		URG2DV40S*N (-OLY,-FLX,-SLD)	URG2DV50S*N (-OLY,-FLX,-SLD)	URG2DV50H*N (-OLY,-FLX,-SLD)	ULG2DV50H45*N (-ONLY,-FLEX,-SOLID)
1	Vent Package Aluminum (Solid)	239-51283-00	239-51283-00	239-51286-00	239-51286-00
	Vent Package Aluminum (Flexible)	239-51284-00	239-51284-00	239-51287-00	239-51287-00
2	Direct Vent-Air Intake Terminal (Aluminum)(Flexible & Solid)	239-41425-00	239-41425-00	239-42274-00	239-42274-00
3	Outer Wall Mounting Plate (Aluminum)(Flexible & Solid)	239-41431-00	239-41431-00	239-42447-00	239-42447-00
4	Four inch Diameter Telescopic Vent Tube (Solid Only)	---	---	239-42460-00	239-42460-00
	Three inch Diameter Telescopic Vent Tube (Solid Only)	239-41005-00	239-41005-00	---	---
5	Six inch Diameter Elbow (Solid Only)	---	---	239-42067-00	239-42067-00
	Five inch Diameter Elbow (Solid Only)	239-41007-00	239-41007-00	---	---
6	Four inch Diameter Elbow (Solid Only)	---	---	239-42068-00	239-42068-00
	Three inch Diameter Elbow (Solid Only)	239-41008-00	239-41008-00	---	---
7	Plenum	239-47663-00	239-47663-00	239-47668-01	239-47668-01
8	Flue Reducer	239-41009-00	239-41009-00	239-42066-00	239-42066-00
9	Plenum Gasket	239-41070-01	239-41070-01	239-41070-02	239-41070-02
10	Coupler	239-50102-00	239-50102-00	239-50102-00	239-50102-00
11	Air Intake Tube	239-50099-05	239-50099-06	239-50099-06	239-50099-05
12	Direct Vent-Air Intake Terminal Guard (Optional)	239-41453-00	239-41453-00	239-41453-00	239-41453-00
13	Flue Baffle	243-47511-00	243-51013-00	243-50921-00	243-50921-00
14	Heat Trap Insert (Inlet & Outlet) Kit	265-51572-00	265-51572-00	265-51572-00	265-51572-00
15	Cold Water Inlet Dip Tube (PEX) ▲	229-51230-25	229-51230-26	229-51230-20	229-51230-25
16	Hot Water Outlet Anode (Magnesium) ▲#	224-47776-19	224-47776-19	224-47776-19	224-47776-19
	Hot Water Outlet Anode (Aluminum) ▲#	224-32999-42	224-32999-42	224-32999-42	224-32999-42
	Hot Water Outlet Anode (A420 Aluminum) ▲#	224-49560-10	224-49560-10	224-49560-10	224-49560-10
17	T&P Relief Valve	230-40594-02	230-40594-02	230-40594-02	230-40594-02
18	3/4 NPT Plug	---	---	239-11638-00	239-11638-00
19	Feedline spring clip	239-47475-00	239-47475-00	239-47475-00	239-47475-00
20	Air Intake Boot w/ Gasket	239-47771-18	239-47771-18	239-47771-18	239-47771-18
21	Right Side Inner Door w/ Gasket	239-48216-18	239-48216-18	239-48216-18	239-48216-18
22	Screw-#10-12 x 3/4 HWH	239-44113-00	239-44113-00	239-44113-00	239-44113-00
23	Screw-8-15 X 3/4 INHXWS Slot	239-44195-00	239-44195-00	239-44195-00	239-44195-00
24	Brass Drain Valve	265-42351-02	265-42351-02	265-42351-02	265-42351-02
25	Outer Door	239-46209-00	239-46209-00	239-46209-00	239-46209-00
26	Gas Control Kit Direct Replacement Natural Gas	415-52913-02	415-52913-02	415-52913-02	415-52914-01
27	Inner Door Gasket Kit	239-49597-00	239-49597-00	239-49597-00	239-49597-00
28	ASSE Approved Mixing Valve (Optional)	239-51778-00	239-51778-00	239-51778-00	239-51778-00

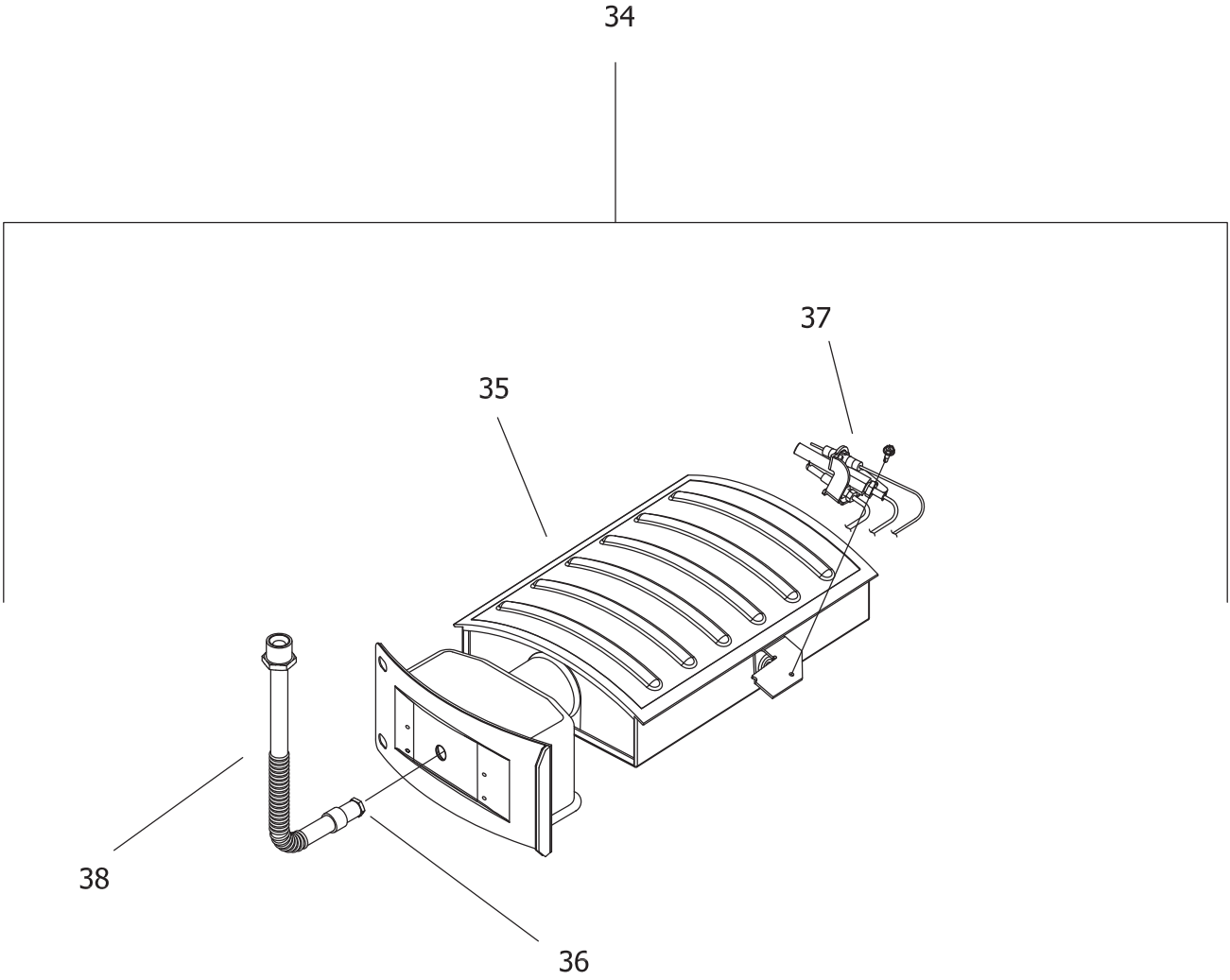
*Applies to all warranties

**Inner door gasket kit recommended

***Ordering a complete burner assembly may increase delivery time. Please order the specific component required for the quickest delivery.

▲ Order with item 14

Anode may need to be cut to length




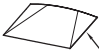
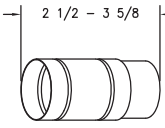
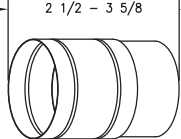


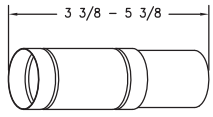
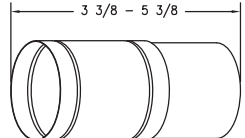


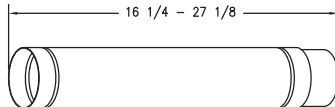
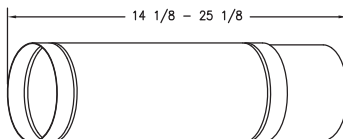


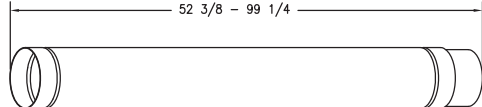
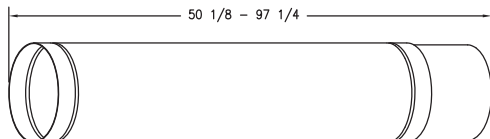
NATURAL GAS (BN) BURNER ASSEMBLY

Item	Description	Model URG2DV40S*N (-ONLY,-FLEX,-SOLID)	Model URG2DV50S*N (-ONLY,-FLEX,-SOLID)	Model URG2DV50H*N (-ONLY,-FLEX,-SOLID)	Model ULG2DV50H45*N (-ONLY,-FLEX,-SOLID)
Natural Gas BN Burner Assembly					
34	Nat. Gas Burner Assembly Complete**	265-48800-05-37	265-48800-05-37	265-48800-05-34	265-48800-02-34
	Nat. Gas Burner Assembly High Altitude Complete (-475 model suffixes)**	265-48800-05-42	265-48800-05-42	265-48800-05-38	265-48800-02-38
35	Nat. Gas BN Burner*	228-48691-19	228-48691-19	228-48691-19	228-48691-19
36	Nat. Gas Main Burner Orifice 0 Ft. to 2,000 Ft.*	234-18194-37	234-18194-37	234-18194-34	234-18194-34
	Nat. Gas High Altitude Orifice 0-7,000 Ft. (-475 model suffixes) *	234-18194-42	234-18194-42	234-18194-38	234-18194-38
	Nat. Gas High Altitude Orifice Kit 7,001 to 10,000 Ft.	265-51320-01-43	265-51320-01-43	265-51320-01-42	265-51320-01-42
37	Pilot assembly*	233-48720-04	233-48720-05	233-48720-05	233-48720-03
38	Universal Flex feedline*	233-49006-01	233-49006-01	233-49006-01	233-49006-01

*Inner door gasket kit recommended

**Ordering a complete burner assembly may increase delivery time. Please order the specific component required for the quickest delivery.

SOLID VENT KITS URG2DV(40,50)S*N

 <p style="text-align: center;">SILICONE SEALANT</p>  <p style="text-align: center;">BAG OF MOUNTING HARDWARE</p> <div style="display: flex; justify-content: space-around; align-items: center;"> <div style="text-align: center;">  <p style="font-size: small;">2 1/2 - 3 5/8</p> </div> <div style="text-align: center;">  <p style="font-size: small;">2 1/2 - 3 5/8</p> </div> </div> <p style="text-align: center; margin-top: 20px;">DIRECT VENT-AIR INTAKE KIT A PART NO. 239-41260-00 (OPTIONAL)</p>	 <p style="text-align: center;">SILICONE SEALANT</p>  <p style="text-align: center;">BAG OF MOUNTING HARDWARE</p> <div style="display: flex; justify-content: space-around; align-items: center;"> <div style="text-align: center;">  <p style="font-size: small;">3 3/8 - 5 3/8</p> </div> <div style="text-align: center;">  <p style="font-size: small;">3 3/8 - 5 3/8</p> </div> </div> <p style="text-align: center; margin-top: 20px;">DIRECT VENT-AIR INTAKE KIT B PART NO. 239-41331-00 (OPTIONAL)</p>
 <p style="text-align: center;">SILICONE SEALANT</p>  <p style="text-align: center;">BAG OF MOUNTING HARDWARE</p> <div style="display: flex; justify-content: space-around; align-items: center;"> <div style="text-align: center;">  <p style="font-size: small;">16 1/4 - 27 1/8</p> </div> </div> <div style="display: flex; justify-content: space-around; align-items: center; margin-top: 10px;"> <div style="text-align: center;">  <p style="font-size: small;">14 1/8 - 25 1/8</p> </div> </div> <p style="text-align: center; margin-top: 20px;">DIRECT VENT-AIR INTAKE KIT C PART NO. 239-41029-00 (OPTIONAL) ABOVE TUBE LENGTHS SUPPLIED WITH HEATER</p>	 <p style="text-align: center;">SILICONE SEALANT</p>  <p style="text-align: center;">BAG OF MOUNTING HARDWARE</p> <div style="display: flex; justify-content: space-around; align-items: center;"> <div style="text-align: center;">  <p style="font-size: small;">52 3/8 - 99 1/4</p> </div> </div> <div style="display: flex; justify-content: space-around; align-items: center; margin-top: 10px;"> <div style="text-align: center;">  <p style="font-size: small;">50 1/8 - 97 1/4</p> </div> </div> <p style="text-align: center; margin-top: 20px;">DIRECT VENT-AIR INTAKE KIT D PART NO. 239-41424-00 (OPTIONAL)</p>

SOLID VENT KITS
URG2DV(40,50)S*N

		Horizontal "X"				
		13 1/4 14 3/16	15 17 11/16	22 1/4 32 3/16	36 55 7/8	58 5/16 104 5/16
Vertical "Y"	10	order kit A 239-41260-00	order kit B 239-41331-00	no add'l kit req'd	order kit C 239-41029-00	order kit D 239-41424-00
	14 3/4 15 11/16	order kit A *(2) 239-41260-00	order kit A & B 239-41260-00 239-41331-00	order kit A 239-41260-00	order kit A & C 239-41260-00 239-41029-00	order kit A & D 239-41260-00 239-41424-00
	16 1/2 19 3/16	order kit A & B 239-41260-00 239-41331-00	order kit B *(2) 239-41331-00	order kit B 239-41331-00	order kit B & C 239-41331-00 239-41029-00	order kit B & D 239-41331-00 239-41424-00
	23 3/4 33 11/16	order kit A 239-41260-00	order kit B 239-41331-00	order kit C 239-41029-00	order kit C *(2) 239-41029-00	order kit D 239-41424-00
	37 1/2 57 3/8	order kit A & C 239-41260-00 239-41029-00	order kit B & C 239-41331-00 239-41029-00	order kit C *(2) 239-41029-00	order kit C *(3) 239-41029-00	order kit C & D 239-41029-00 239-41424-00
	59 13/16 105 13/16	order kit A & D 239-41260-00 239-41424-00	order kit B & D 239-41331-00 239-41424-00	order kit D 239-41424-00	order kit C & D 239-41029-00 239-41424-00	order kit D *(2) 239-41424-00

*(2) = Order two kits

*(3) = Order three kits


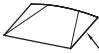
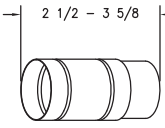
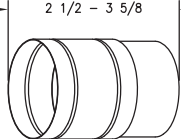

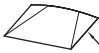
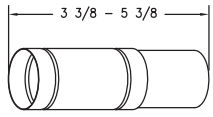
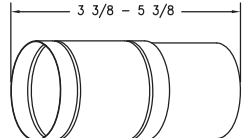


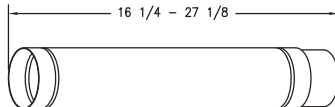
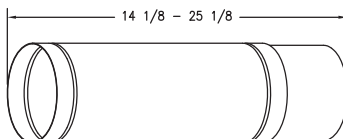


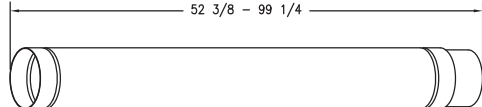
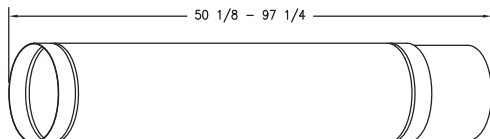
FLEXIBLE VENT KITS

Vertical Vent Height + Horizontal Vent Length	Kit Part Number
Less than 100 inches	239-47812-00
More than 100 inches	N/A*

*Do not attempt to use flexible vent hose at a distance greater than 100 inches.

SOLID VENT KITS

U(L,R)G2DV50H(45)*N

 <p style="text-align: center;">SILICONE SEALANT</p>  <p style="text-align: center;">BAG OF MOUNTING HARDWARE</p> <div style="display: flex; justify-content: space-around; align-items: center;"> <div style="text-align: center;">  <p>2 1/2 - 3 5/8</p> </div> <div style="text-align: center;">  <p>2 1/2 - 3 5/8</p> </div> </div> <p style="text-align: center;">DIRECT VENT-AIR INTAKE KIT F PART NO. 239-42516-00 (OPTIONAL)</p>	 <p style="text-align: center;">SILICONE SEALANT</p>  <p style="text-align: center;">BAG OF MOUNTING HARDWARE</p> <div style="display: flex; justify-content: space-around; align-items: center;"> <div style="text-align: center;">  <p>3 3/8 - 5 3/8</p> </div> <div style="text-align: center;">  <p>3 3/8 - 5 3/8</p> </div> </div> <p style="text-align: center;">DIRECT VENT-AIR INTAKE KIT G PART NO. 239-42517-00 (OPTIONAL)</p>
 <p style="text-align: center;">SILICONE SEALANT</p>  <p style="text-align: center;">BAG OF MOUNTING HARDWARE</p> <div style="text-align: center; margin-bottom: 10px;">  <p>16 1/4 - 27 1/8</p> </div> <div style="text-align: center;">  <p>14 1/8 - 25 1/8</p> </div> <p style="text-align: center;">DIRECT VENT-AIR INTAKE KIT H PART NO. 239-42514-00 (OPTIONAL) ABOVE TUBE LENGTHS SUPPLIED WITH HEATER</p>	 <p style="text-align: center;">SILICONE SEALANT</p>  <p style="text-align: center;">BAG OF MOUNTING HARDWARE</p> <div style="text-align: center; margin-bottom: 10px;">  <p>52 3/8 - 99 1/4</p> </div> <div style="text-align: center;">  <p>50 1/8 - 97 1/4</p> </div> <p style="text-align: center;">DIRECT VENT-AIR INTAKE KIT I PART NO. 239-42512-00 (OPTIONAL)</p>

SOLID VENT KITS
U(L,R)G2DV50H(45)*N

		Horizontal "X"				
		16 1/4 17 3/16	18 20 11/16	25 1/4 35 3/16	37 3/4 57 7/8	61 5/16 107 5/16
Vertical "Y"	11 9/16	order kit F 239-42516-00	order kit G 239-42517-00	no add'l kit req'd	order kit H 239-42514-00	order kit I 239-42512-00
	16 5/16 17 1/4	order kit F *(2) 239-42516-00	order kit F & G 239-42516-00 239-42517-00	order kit F 239-42516-00	order kit F & H 239-42516-00 239-42514-00	order kit F & I 239-42516-00 239-42512-00
	18 1/16 20 3/4	order kit F & G 239-42516-00 239-42517-00	order kit G *(2) 239-42517-00	order kit G 239-42517-00	order kit G & H 239-42517-00 239-42514-00	order kit G & I 239-42517-00 239-42512-00
	25 5/16 35 1/4	order kit F 239-42516-00	order kit G 239-42517-00	order kit H 239-42514-00	order kit H *(2) 239-42514-00	order kit I 239-42512-00
	38 1/16 57 15/16	order kit F & H 239-42516-00 239-42514-00	order kit G & H 239-42517-00 239-42514-00	order kit H *(2) 239-42514-00	order kit H *(3) 239-42514-00	order kit H & I 239-42514-00 239-42512-00
	61 3/8 107 3/8	order kit F & I 239-42516-00 239-42512-00	order kit G & I 239-42517-00 239-42512-00	order kit I 239-42512-00	order kit H & I 239-42514-00 239-42512-00	order kit I *(2) 239-42512-00

*(2) = Order two kits

*(3) = Order three kits

FLEXIBLE VENT KITS

Vertical Vent Height + Horizontal Vent Length	Kit Part Number
Less than 100 inches	239-48915-00
More than 100 inches	N/A*

*Do not attempt to use flexible vent hose at a distance greater than 100 inches.



BRADFORD WHITE®

W A T E R H E A T E R S

Ambler, PA

For U.S. and Canada field service,
contact your professional installer or
local Bradford White sales representative.

Sales/800-523-2931

Technical Support/800-334-3393
Email/techserv@bradfordwhite.com

Warranty/800-531-2111
Email/warranty@bradfordwhite.com

Service Parts/800-538-2020
Email/Parts@bradfordwhite.com

International:
international@bradfordwhite.com



BRADFORD WHITE™ **CANADA**

Halton Hills, Ontario, Canada

Sales & Technical Support/866-690-0961
905-203-0600

Fax/905-636-0666

Email

Warranty/bwccwarranty@bradfordwhite.com
Technical Support/BWCCTech@bradfordwhite.com
Parts/orders@bradfordwhitecanada.com
Orders/ca.orders@bradfordwhite.com

www.bradfordwhite.com