

Direct Vent Residential Gas Water Heater

Features

- **Bradford White ICON System®***— Intelligent gas control with no need for external electricity. Proprietary algorithms provide tighter temperature differential and consistent water temperature levels up to 160°F (70°C). LED light indicates operation status/service required.
- **Vitraglas® Lining with Microban®**—An exclusively engineered enamel formula that provides superior tank protection from the corrosive effects of water; and with Microban® antimicrobial product protection to help prevent the growth of bacteria, mold and mildew on the surface of the tank lining.
- **Hydrojet® Total Performance System**—Sediment reducing device that also increases first hour rating of hot water while minimizing temperature build-up in tank.

Additional Details

- **Closed Combustion**—The co-axial vent pipe (pipe inside a pipe) draws combustion air in through the outer pipe, and exhausts the products of combustion through the inner pipe. The co-axial vent pipe can be rotated for venting flexibility.
- **Cast Aluminum Air Intake Boot**—Provides exceptional installation durability.
- **Telescoping Solid Vent Kits**—Allow up to 8ft. vertical and 8ft. horizontal vent lengths**.
- **Flexible Vent Kit**—Maximum vent length can be flexed to 100" (2540mm)**.
- **Insulation System**—Non-CFC foam covers the tank, reducing heat loss, energy consumption, and improves efficiency and jacket rigidity.
- **Pedestal Base**—Rugged and durable base allows easy transport and positioning while providing corrosion-resistant contact with floor.
- **Water Connections**—3/4" (19mm) NPT factory-installed true dielectric fittings.
- **Factory-Installed Heat Traps.**
- **Protective Anode Rod**—Provides added protection against corrosion for long-term, trouble-free service.
- **T&P Relief Valve**—Installed.
- **Low Restrictive Brass Drain Valve**—Durable tamper proof design.
- **NOx Emissions**—Less than 40 ng/J.

*May vary by region.

**Horizontal termination only.



Photo is of RG2DV50H6N

BRADFORD WHITE
ICON
System

VITRAGLAS
SUPERIOR PROTECTION SINCE 1951
+
MICROBAN

Hydrojet



6 or 10-Year Limited Tank Warranties / 6-Year Limited Warranty on Component Parts.

For more information on warranty, please visit www.bradfordwhite.com

For products installed in USA, Canada, and Puerto Rico. See complete copy of the warranty included with the heater for limitations.

Microban® antimicrobial product protection helps prevent the growth of bacteria, mold and mildew that may affect the product. The built-in antimicrobial properties do not protect users or others from disease-causing organisms. Microban® is a registered trademark of Microban Products Company.

Direct Vent

Residential Gas Water Heater

SPECIFICATIONS

Natural Gas and Liquid Propane Gas

These water heaters meet or exceed all or portions of (where applicable) the minimum efficiency requirements of ASHRAE Standard 90.1 (latest edition), C.E.C. Listed, 78% Recovery Efficiency.

Model Number	Rated Nominal Volume		DOE Rated Storage Volume Gal.	BTU/Hr. Input	LP BTU/Hr. Input	First Hour Rating Gal.	Uniform Energy Factor	Recovery at 90°F Rise*				Model Number	Rated Nominal Volume		DOE Rated Storage Volume Liters	kW Input	LP kW Input	First Hour Rating Liters	Uniform Energy Factor	Recovery at 50°C Rise*	
	U.S. Gal.	Imp. Gal.						U.S. GPH	Imp. GPH	U.S. GPH	Imp. GPH		U.S. Gal.	Imp. Gal.						U.S. GPH	Imp. GPH
RG2DV40S6N	40	33	38	38,000	36,000	62	0.60	41	34	39	32	RG2DV40S6N	151	144	11.1	10.5	235	0.60	155	148	
RG2DV50S6N	50	42	47	42,000	40,000	77	0.64	45	35	43	36	RG2DV50S6N	189	178	12.3	11.7	292	0.64	170	163	
RG2DV50H6N	48	40	46	50,000	48,000	96	0.64	54	45	50	42	RG2DV50H6N	182	174	14.7	14.0	364	0.64	204	189	

Model Number	A Floor to C/L of Vent in.	B Jacket Dia. in.	C Vent Size in. I.D. / O.D.		D Floor to T&P Conn. in.	E Floor to Gas Conn. in.	F Floor to Top of Heater in.	G Floor to Water Conn. in.	H Depth in.	J C/L of Water Conn. in.	K Floor to Space Heating Inlet in.	L Floor to Space Heating Outlet in.	M Water Conn. NPT in.	R Space Heating Conn. Size in.	S Gas Conn. Size in.	Approx. Shipping Weight lbs.
RG2DV40S6N	63 1/2 min.	22	3	5	43 1/2	13	50 3/16	51 1/8	31	8	N/A	N/A	3/4	N/A	1/2	189
RG2DV50S6N	72 1/2 min.	22	3	5	52 1/4	13	59 3/16	60 1/8	31	8	N/A	N/A	3/4	N/A	1/2	212
RG2DV50H6N	75 7/8 min.	22	4	6	52 1/4	13	59 3/16	60 1/8	31	11	15 3/4	52 1/4	3/4	3/4	1/2	234

Model Number	A Floor to C/L of Vent mm.	B Jacket Dia. mm.	C Vent Size mm. I.D. / O.D.		D Floor to T&P Conn. mm.	E Floor to Gas Conn. mm.	F Floor to Top of Heater mm.	G Floor to Water Conn. mm.	H Depth mm.	J C/L of Water Conn. mm.	K Floor to Space Heating Inlet mm.	L Floor to Space Heating Outlet mm.	M Water Conn. NPT mm.	R Space Heating Conn. Size mm.	S Gas Conn. Size mm.	Approx. Shipping Weight kg.
RG2DV40S6N	1613 min.	559	76	127	1105	330	1275	1299	787	203	N/A	N/A	19	N/A	13	86
RG2DV50S6N	1842 min.	559	76	127	1327	330	1503	1527	787	203	N/A	N/A	19	N/A	13	96
RG2DV50H6N	1927 min.	559	102	152	1327	330	1503	1527	787	279	400	1327	19	19	13	106

All Propane models feature a Titanium Stainless Steel propane burner. For Propane (LP) models change suffix "N" to "X".

For 10 year models, change suffix from "6" to "10". *Based on manufacturer's rated recovery efficiency.

Uniform Energy Factor and First Hour Rating is based on the latest AHRI directory listings.

RG2DV40S6N / RG2DV50S6N Solid Vent Kit: Part No. 415-51283-00. **RG2DV40S6N / RG2DV50S6N Flexible Vent Kit:** Part No. 415-51284-00.

RG2DV50H6N Solid Vent Kit: Part No. 415-51286-00. **RG2DV50H6N Flexible Vent Kit:** Part No. 415-51287-00.

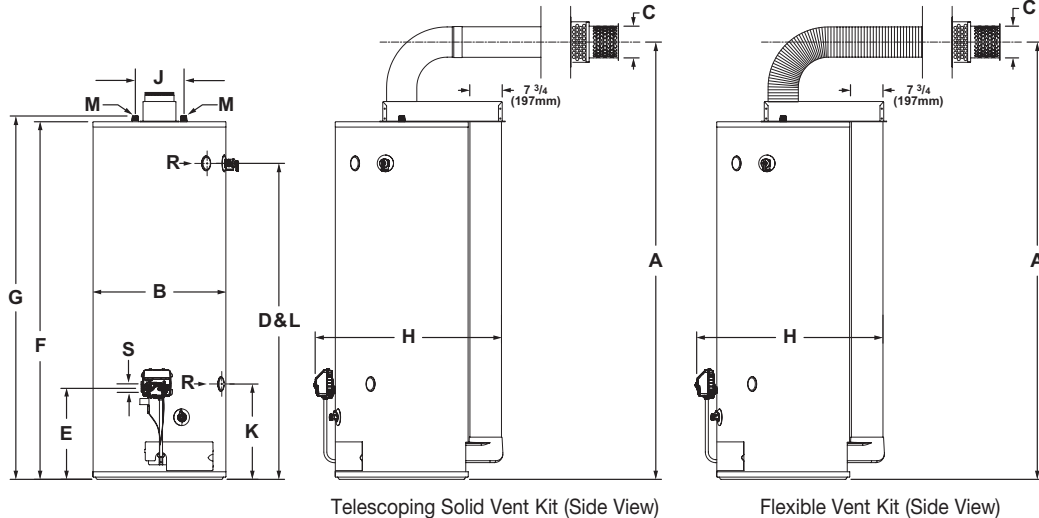
Kits can be ordered and shipped with water heater, or ordered and shipped separately. For vent kit components and venting instructions, refer to Installation and Operation Manual.

RG2DV40S6N / RG2DV50S6N Optional Telescoping Solid Vent Kits:

- Kit "A" Telescopes from 4 3/4" to 5 1/16" (121mm to 145mm) Part No. 415-41260-00
- Kit "B" Telescopes from 6 1/2" to 9 3/16" (165mm to 233mm) Part No. 415-41331-00
- Kit "C" Telescopes from 13 3/4" to 23 1/16" (349mm to 602mm) Part No. 415-41029-00
- Kit "D" Telescopes from 49 1/16" to 95 1/16" (1265mm to 2434mm) Part No. 415-41424-00

RG2DV50H6N Optional Telescoping Solid Vent Kits:

- Kit "F" Telescopes from 4 3/4" to 5 1/16" (121mm to 145mm) Part No. 239-42516-00
- Kit "G" Telescopes from 6 1/2" to 9 3/16" (165mm to 233mm) Part No. 415-42517-00
- Kit "H" Telescopes from 3 3/4" to 23 1/16" (349mm to 602mm) Part No. 415-42514-00
- Kit "I" Telescopes from 49 1/16" to 95 1/16" (1265mm to 2434mm) Part No. 415-42512-00



GENERAL:

Meets NAECA Requirements. All gas water heaters are certified at 300 PSI test pressure (2068 kPa) and 150 PSI working pressure (1034 kPa). All potable water connections are 3/4" NPT (19mm). All gas connections 1/2" (13mm). All models design-certified by CSA International (formerly AGA/CGA) to ANSI standard Z21.10.1.

Suitable for Water (Potable) Heating and Space Heating. Toxic chemicals, such as those used for boiler treatment, shall NEVER be introduced into this system. This unit may NEVER be connected to any existing heating system or component(s) previously used with a non-potable water heating appliance.

Dimensions and specifications subject to change without notice in accordance with our policy of continuous product improvement.