



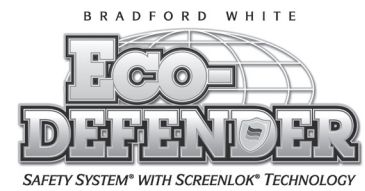
BRADFORD WHITE[®]
W A T E R H E A T E R S

REPLACEMENT PARTS LIST

**Ultra Low NOx
Residential & Light Duty Commercial Gas
Atmospheric Vent Models**



“URG” & “ULG” Models



Includes Hydrojet[®]
Total Performance System

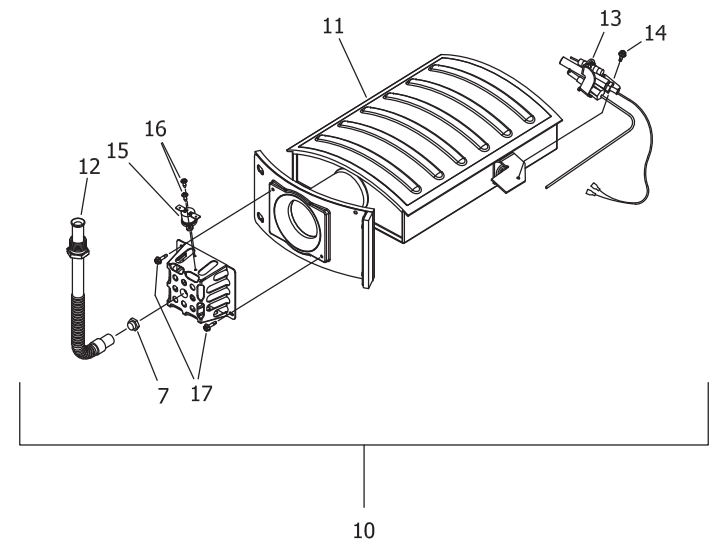
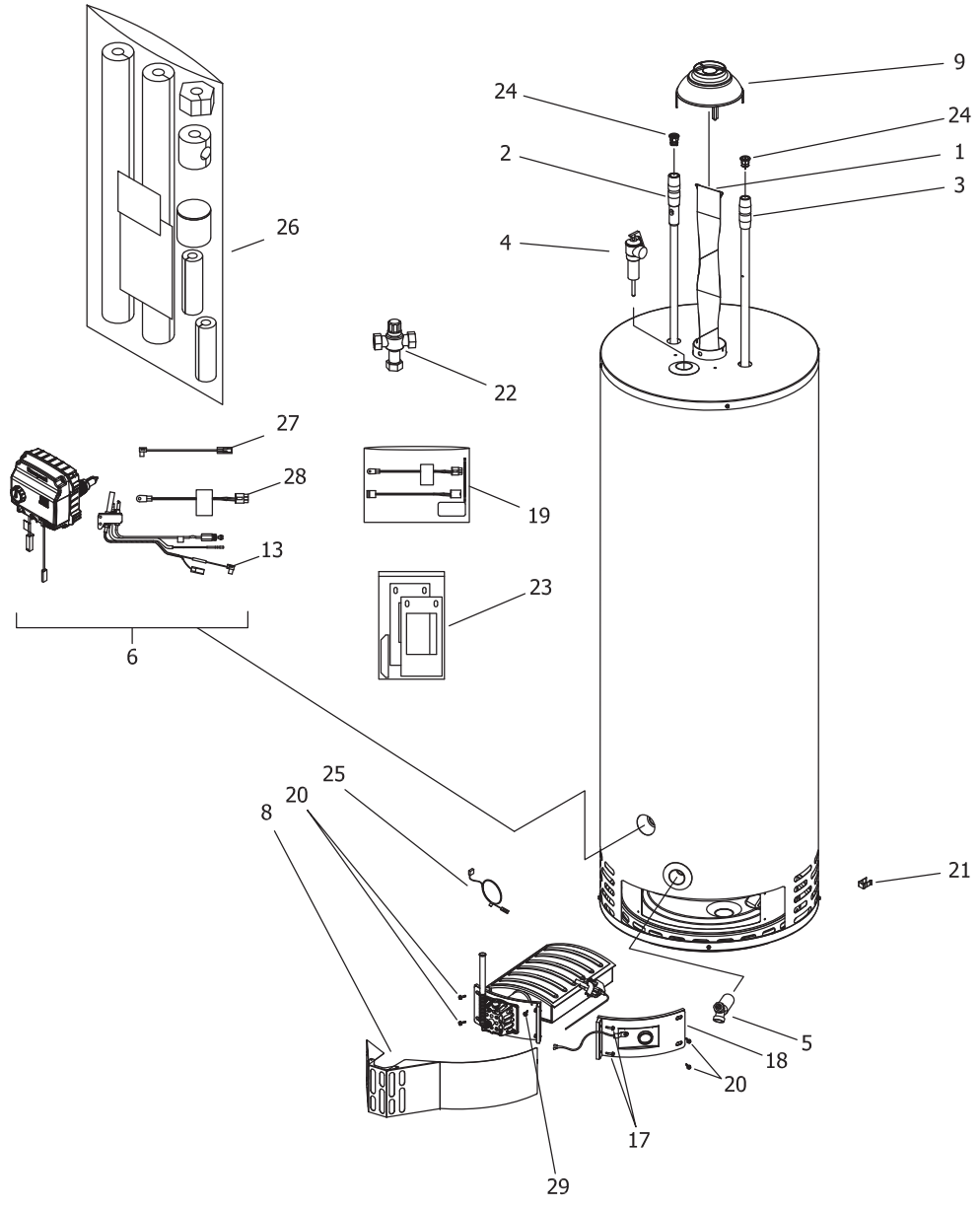
**Effective: November, 2019
ECO 8239**

**NOTE: BOTH MODEL AND SERIAL
NUMBERS ARE REQUIRED FOR
ORDERING REPLACEMENT PARTS**

Dimensions and specifications
subject to change without notice.



As required by the state of California Proposition 65.



Item	Description	Model	Model	Model
		URG130T*N	URG140T*N	URG150T*N
1	Flue Baffle	243-51480-00	243-51479-00	243-51479-00
2	Hot Water Outlet Anode (Magnesium) ▲#	224-47776-19	224-47776-19	224-47776-13
	Hot Water Outlet Anode (Aluminum) ▲#	224-32999-28	224-32999-28	224-32999-28
	Hot Water Outlet Anode (A420 Aluminum) ▲ #	224-49560-10	224-49560-10	224-49560-10
3	Cold Water Inlet Dip Tube ▲	229-51230-19	229-39625-25	229-39625-22
4	T&P Relief Valve	230-40594-03	230-40594-03	230-40594-03
5	Drain Valve (Brass)	265-42351-02	265-42351-02	265-42351-02
6	Gas valve (Natural)	415-52915-01	415-52915-01	415-52915-01
7	Main Burner Orifice 0 Ft. to 2,000 Ft.	234-18194-43	234-18194-41	234-18194-41
	Main Burner High Altitude Orifice 0 Ft. to 7,000 Ft. (-475 model suffixes) **	234-18194-46	234-18194-44	234-18194-44
8	Outer Door	239-46209-00	239-46209-00	239-46209-00
9	Draft Diverter	243-45787-00	243-45787-00	243-45787-00
10	Burner Assembly (normal alt.)***	265-46693-01-43	265-46693-03-41	265-46693-05-41
	Burner Assembly (0-7000 ft.)***	265-46693-01-47	265-46693-03-44	265-46693-05-44
11	Burner **	228-48383-14	228-48383-16	228-48383-18
12	Flexible Gas Feedline	233-46930-01	233-46930-01	233-46930-01
13	Pilot Assembly Kit without Door Gasket**	265-48999-05	265-48999-05	265-48999-05
	Pilot Assembly Kit with Door Gasket	265-47449-00	265-47449-00	265-47449-00
14	Screw #8-18 X 1/2 HWH (1 req'd)	239-32761-00	239-32761-00	239-32761-00
15	Thermal Switch kit (5 PCS)	239-48643-03	239-48643-03	239-48643-03
16	Screw #6-20 X 3/8 PHCR (2 req'd)	239-43967-00	239-43967-00	239-43967-00
17	Screw #8-15 X 3/4 INHXWS Slot (2 req'd)	239-44195-00	239-44195-00	239-44195-00
18	Inner Door Right Side Assembly	239-49784-01	239-49784-02	239-49784-03
19	RTD Sensor Kit	265-50016-00	265-50016-00	265-50016-00
20	Screw #10-12 X 3/4 HWH (4 req'd)	239-52581-00	239-52581-00	239-52581-00
21	Spring Clip (Feedline)	239-47475-00	239-47475-00	239-47475-00
22	ASSE Approved Mixing Valve (Optional)	239-51778-00	239-51778-00	239-51778-00
23	Kit-Inner Door Gasket	239-47062-00	239-47062-00	239-47062-00
24	Kit-Heat Trap Insert (Inlet & Outlet)	265-51572-00	265-45419-00	265-45419-00
25	Intermediate Gas Valve Harness	239-47892-01	239-47892-01	239-47892-01
26	Insulation Kit	239-51674-00	239-51674-00	239-51674-00
27	Gas Control to Thermopile Harness	239-50019-01	239-50019-01	239-50019-01
28	RTD Sensor	239-49785-00	239-49785-00	239-49785-00
29	Screw #8-18 X 3/4	239-81253-00	239-81253-00	239-81253-00

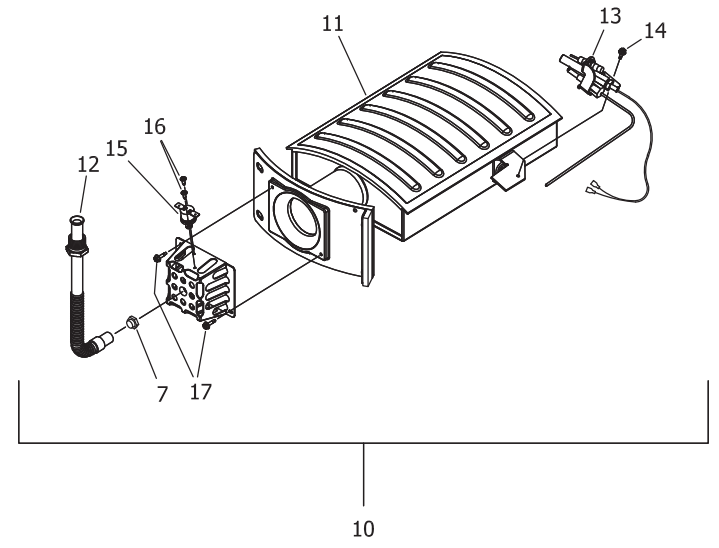
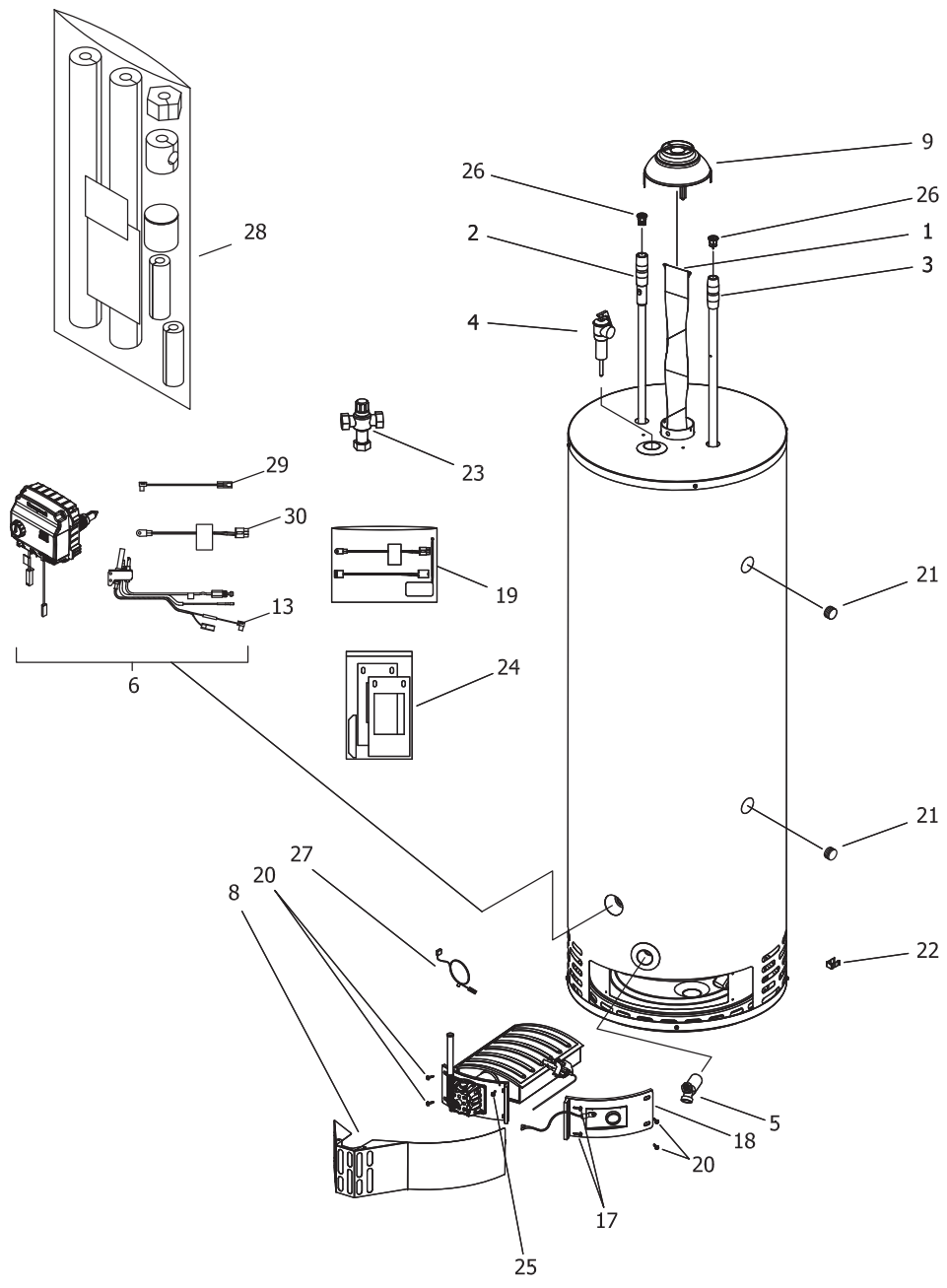
*Applies to all warranties

**Inner door gasket kit recommended

***Ordering a complete burner assembly may increase delivery time. Please order the specific component required for the quickest delivery.

▲ Order with item 27

#Anode may need to be cut to length, please see page 8 for reference chart of anode length by model.



Item	Description	Model	Model	Model	Model
		URG230T*N	URG240S*N	URG240T*N	ULG250H55*N
1	Flue Baffle	243-44639-00	243-52980-00	243-52582-00	---
	Flue Core	---	---	---	239-51837-00
2	Hot Water Outlet Anode (Magnesium) ▲#	224-47776-19	224-47776-19	224-47776-19	224-47776-19
	Hot Water Outlet Anode (Aluminum) ▲#	224-32999-42	224-32999-42	224-32999-42	224-32999-42
	Hot Water Outlet Anode (A420 Aluminum) ▲ #	224-49560-08	224-49560-08	224-49560-08	224-49560-08
3	Cold Water Inlet Dip Tube ▲	229-51230-19	229-53466-02	229-53466-01	229-51230-29
4	T&P Relief Valve	230-40594-03	230-40594-03	230-40594-03	230-40594-03
5	Drain Valve (Brass)	265-42351-02	265-42351-02	265-42351-02	265-42351-02
6	Gas valve (Natural)	415-52915-01	415-52915-01	415-52915-01	415-52916-01
7	Main Burner Orifice 0 Ft. to 2,000 Ft.	234-18194-42	234-18194-36	234-18194-36	234-18194-30
	Main Burner High Altitude Orifice 0 Ft. to 7,000 Ft. (-475 model suffixes) **	234-18194-44	234-18194-41	234-18194-41	234-18194-32
8	Outer Door	239-46209-00	239-46209-00	239-46209-00	239-46209-00
9	Draft Diverter	243-45787-00	243-45787-00	243-45787-00	239-33081-02-20-15
10	Burner Assembly (normal alt.)***	265-46693-01-42	265-46693-05-36	265-46693-03-36	265-46693-08-30
	Burner Assembly (0-7000 ft.)***	265-46693-01-44	265-46693-05-41	265-46693-03-41	265-46693-08-32
11	Burner **	228-48383-14	228-48383-18	228-48383-16	228-48383-19
12	Flexible Gas Feedline	233-46930-01	233-46930-01	233-46930-01	233-46930-01
13	Pilot assembly kit without door gasket**	265-48999-05	265-48999-05	265-48999-05	265-48999-05
	Pilot Assembly kit with door gasket	265-47449-00	265-47449-00	265-47449-00	265-47449-00
14	Screw #8-18 X 1/2 HWH (1 req'd)	239-32761-00	239-32761-00	239-32761-00	239-32761-00
15	Thermal Switch Kit (5 PCS)	265-48643-03	265-48643-03	265-48643-03	265-48643-03
16	Screw #6-20 X 3/8 PHCR (2 req'd)	239-43967-00	239-43967-00	239-43967-00	239-43967-00
17	Screw #8-15 X 3/4 INHXWS Slot (2 req'd)	239-44195-00	239-44195-00	239-44195-00	239-44195-00
18	Inner Door Right Side Assembly	239-49784-01	239-49784-03	239-49784-02	239-49784-03
19	RTD Sensor Kit	265-50016-00	265-50016-00	265-50016-00	265-50016-00
20	Screw #10-12 X 3/4 HWH (4 req'd)	239-52581-00	239-52581-00	239-52581-00	239-52581-00
21	Pipe Plug	---	---	---	239-11638-00
22	Spring Clip (Feedline)	239-47475-00	239-47475-00	239-47475-00	239-47475-00
23	ASSE Approved Mixing Valve (Optional)	239-51778-00	239-51778-00	239-51778-00	239-51778-00
24	Kit-Inner Door Gasket	239-47062-00	239-47062-00	239-47062-00	239-47062-00
25	Screw #8-18 X 3/4	239-81253-00	239-81253-00	239-81253-00	239-81253-00
26	Kit-Heat Trap Insert (Inlet & Outlet)	265-51572-00	265-45420-00	265-45420-00	265-51572-00
27	Intermediate Gas Valve Harness	239-47892-01	239-47892-01	239-47892-01	239-47892-01
28	Insulation Kit	---	---	239-48949-00	---
29	Gas Control to Thermopile Harness	239-50019-01	239-50019-01	239-50019-01	239-50019-01
30	RTD Sensor	239-49785-00	239-49785-00	239-49785-00	239-49785-00

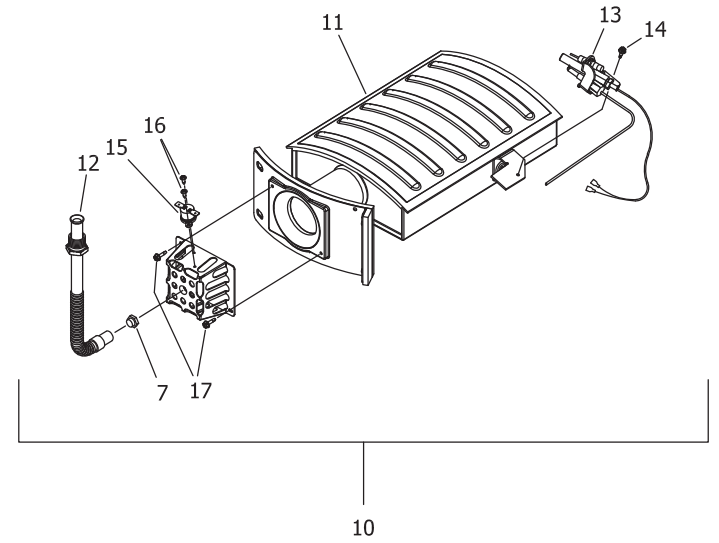
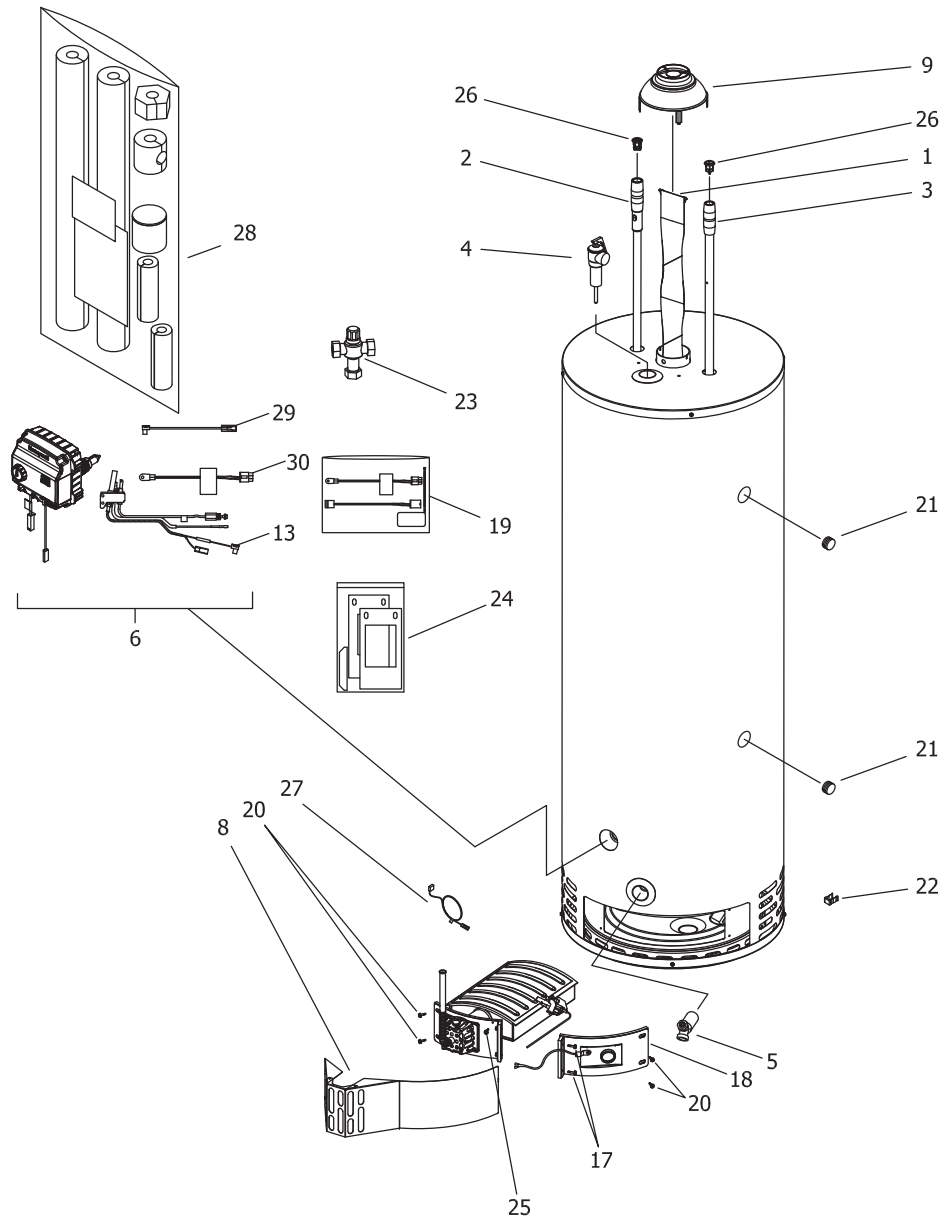
*Applies to all warranties

**Inner door gasket kit recommended

***Ordering a complete burner assembly may increase delivery time. Please order the specific component required for the quickest delivery.

▲ Order with item 26

#Anode may need to be cut to length, please see page 8 for reference chart of anode length by model.



Item	Description	Model	Model	Model	Model
		URG250H*N	URG250L*N	URG250S*N	URG250T*N
1	Flue Baffle	---	243-45223-00	243-53148-00	243-44705-00
	Flue Core	239-51837-00	---	---	---
2	Hot Water Outlet Anode (Magnesium) ▲#	224-47776-19	224-47776-19	224-47776-13	224-47776-13
	Hot Water Outlet Anode (Aluminum) ▲#	224-32999-42	224-32999-42	224-32999-42	224-32999-42
	Hot Water Outlet Anode (A420 Aluminum) ▲ #	224-49560-08	224-49560-08	224-49560-08	224-49560-08
3	Cold Water Inlet Dip Tube ▲	229-45092-08	229-51230-20	229-51230-14	229-39625-22
4	T&P Relief Valve	230-40594-03	230-40594-03	230-40594-03	230-40594-03
5	Drain Valve (Brass)	265-42351-02	265-42351-02	265-42351-02	265-42351-02
6	Gas valve (Natural)	415-52915-01	415-52915-01	415-52915-01	415-52915-01
7	Main Burner Orifice 0 Ft. to 2,000 Ft.	234-18194-30	234-18194-36	234-18194-32	234-18194-36
	Main Burner High Altitude Orifice 0 Ft. to 7,000 Ft. (-475 model suffixes) **	234-18194-32	234-18194-41	234-18194-36	234-18194-41
8	Outer Door	239-46209-00	239-46209-00	239-46209-00	239-46209-00
9	Draft Diverter	239-33081-02-20-15	243-45787-00	239-33081-02-20-15	243-45787-00
10	Burner Assembly (normal alt.)***	243-46693-08-30	265-46693-07-36	265-46693-08-32	265-46693-05-36
	Burner Assembly (0-7000 ft.)***	265-46693-08-32	265-46693-07-41	265-46693-08-36	265-46693-05-41
11	Burner **	228-48383-19	228-48383-20	228-48383-19	228-48383-18
12	Flexible Gas Feedline	233-46930-01	233-46930-01	233-46930-01	233-46930-01
13	Pilot assembly kit without door gasket**	265-48999-05	265-48999-05	265-48999-05	265-48999-05
	Pilot Assembly kit with door gasket	265-47449-00	265-47449-00	265-47449-00	265-47449-00
14	Screw #8-18 X 1/2 HWH (1 req'd)	239-32761-00	239-32761-00	239-32761-00	239-32761-00
15	Thermal Switch Kit (5 PCS)	265-48643-03	265-48643-03	265-48643-03	265-48643-03
16	Screw #6-20 X 3/8 PHCR (2 req'd)	239-43967-00	239-43967-00	239-43967-00	239-43967-00
17	Screw #8-15 X 3/4 INHXWS Slot (2 req'd)	239-44195-00	239-44195-00	239-44195-00	239-44195-00
18	Inner Door Right Side Assembly	239-49784-03	239-49784-04	239-49784-03	239-49784-03
19	RTD Sensor Kit	265-50016-00	265-50016-00	265-50016-00	265-50016-00
20	Screw #10-12 X 3/4 HWH (4 req'd)	239-52581-00	239-52581-00	239-52581-00	239-52581-00
21	Pipe Plug	239-11638-00	---	---	---
22	Spring Clip (Feedline)	239-47475-00	239-47475-00	239-47475-00	239-47475-00
23	ASSE Approved Mixing Valve (Optional)	239-51778-00	239-51778-00	239-51778-00	239-51778-00
24	Kit-Inner Door Gasket	239-47062-00	239-47062-00	239-47062-00	239-47062-00
25	Screw #8-18 X 3/4	239-81253-00	239-81253-00	239-81253-00	239-81253-00
26	Kit-Heat Trap Insert (Inlet & Outlet)	265-45420-00	265-51572-00	265-51572-00	265-45419-00
27	Intermediate Gas Valve Harness	239-47892-01	239-47892-01	239-47892-01	239-47892-01
28	Insulation Kit	---	---	---	---
29	Gas Control to Thermopile Harness	239-50019-01	239-50019-01	239-50019-01	239-50019-01
30	RTD Sensor	239-49785-00	239-49785-00	239-49785-00	239-49785-00

*Applies to all warranties

**Inner door gasket kit recommended

***Ordering a complete burner assembly may increase delivery time. Please order the specific component required for the quickest delivery.

▲ Order with item 26

#Anode may need to be cut to length, please see page 8 for reference chart of anode length by model.



Reference Chart of Anode Length by Model

Model	AOD Anode Cut Length (End to end)		Hex Head Anode Cut Length (End to end)	
	Inches	Millimeters	Inches	Millimeters
	URG130T*N	39.13	993.78	---
URG140T*N	44.13	1120.78	---	---
URG150T*N	47.13	1196.98	---	---
URG230T*N	39.13	993.78	---	---
URG240S*N	39.13	993.78	---	---
URG240T*N	44.13	1120.78	---	---
ULG250H55*N	47.63	1196.98	---	---



BRADFORD WHITE®

W A T E R H E A T E R S

Ambler, PA

For U.S. and Canada field service,
contact your professional installer or
local Bradford White sales representative.

Sales/800-523-2931

Technical Support/800-334-3393
Email/techserv@bradfordwhite.com

Warranty/800-531-2111
Email/warranty@bradfordwhite.com

Service Parts/800-538-2020
Email/Parts@bradfordwhite.com

International:
international@bradfordwhite.com



BRADFORD WHITE®

CANADA

Halton Hills, Ontario, Canada

Sales & Technical Support/866-690-0961
905-203-0600

Fax/905-636-0666

Email

Warranty/bwccwarranty@bradfordwhite.com
Technical Support/BWCCTech@bradfordwhite.com
Parts/orders@bradfordwhitecanada.com
Orders/ca.orders@bradfordwhite.com

www.bradfordwhite.com