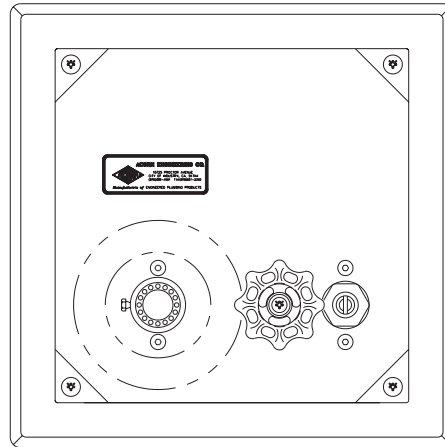
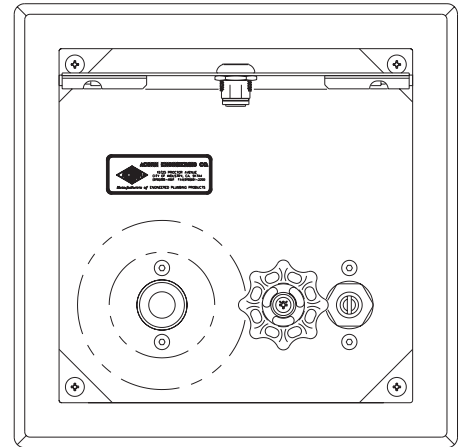


CATALOG #8140 SINGLE TEMPERATURE LESS VACUUM BREAKER

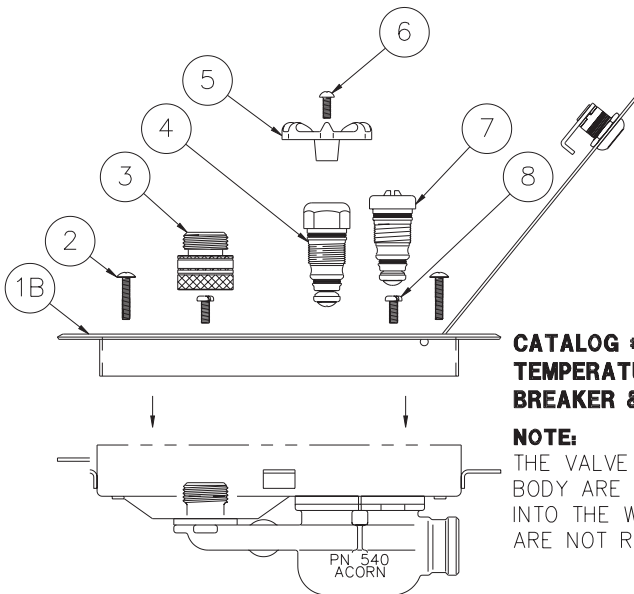


CATALOG #8141 SINGLE TEMPERATURE WITH VACUUM BREAKER



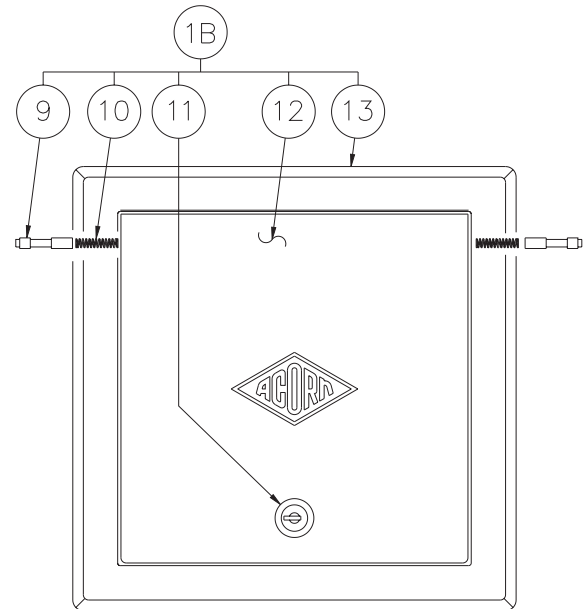
CATALOG #8150 SINGLE TEMPERATURE LESS VACUUM BREAKER w/DOOR

1A



CATALOG #8151 SINGLE TEMPERATURE w/VACUUM BREAKER & DOOR

**NOTE:**  
THE VALVE BOX AND BODY ARE INSERTED INTO THE WALL AND ARE NOT REPLACEABLE.



1B

1A	0530-010-002	FRAME ASSEMBLY	7	0528-000-002	CHROME PLATED STOP ASSEMBLY
1B	0542-001-002	DOOR AND FRAME ASSEMBLY	8	0112-002-000	#10-32 x 1 1/2" CNTR REJECT HEX SCKT HD
2	0116-006-000	#10-32 x 1" PHILLIPS TRUSS HEAD	9	0542-004-199	HINGE PIN
3	0540-007-000	VACUUM BREAKER	10	0542-005-000	SPRING
4	0525-000-002	LOCKSHIELD CARTRIDGE	11	0351-001-000	LOCK w/KEY
5	0540-003-000	WHEEL HANDLE	12	0542-001-001	HOSE BOX DOOR SUB-ASSEMBLY
6	0116-003-000	#10-32 x 1/2" PHILLIPS ROUND HD SCREW	13	0530-010-001	FRAME TO SUB-ASSEMBLY
ITEM	PART NUMBER	DESCRIPTION	ITEM	PART NUMBER	DESCRIPTION



ACORN ENGINEERING COMPANY  
P.O. BOX 3527 INDUSTRY, CA. 91744  
(626) 336-4561 FAX (626) 961-2200

TITLE

SINGLE TEMP HOSE BOX CAT. #8140,#8141,#8150 & #8151

MANUFACTURE DATE

SEPTEMBER 1976  
TO PRESENT

DATE ISSUED

09/01/89

DATE REVISED

06/14/01

DRAWING NUMBER

9989-020-002