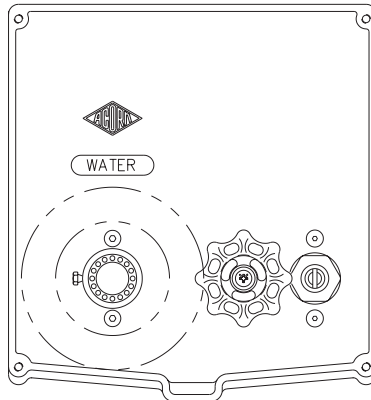
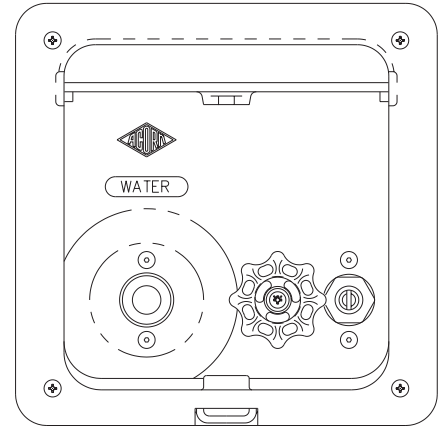


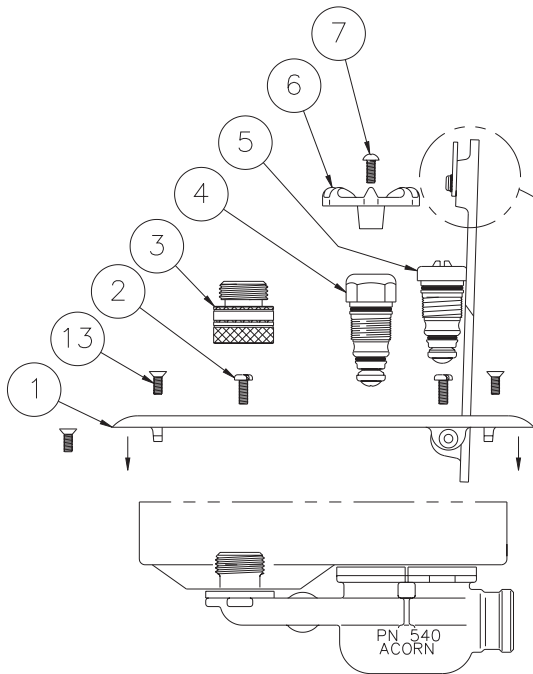
**CATALOG #8101  
SINGLE TEMPERATURE  
LESS VACUUM BREAKER**



**CATALOG #8102  
SINGLE TEMPERATURE  
WITH VACUUM BREAKER**

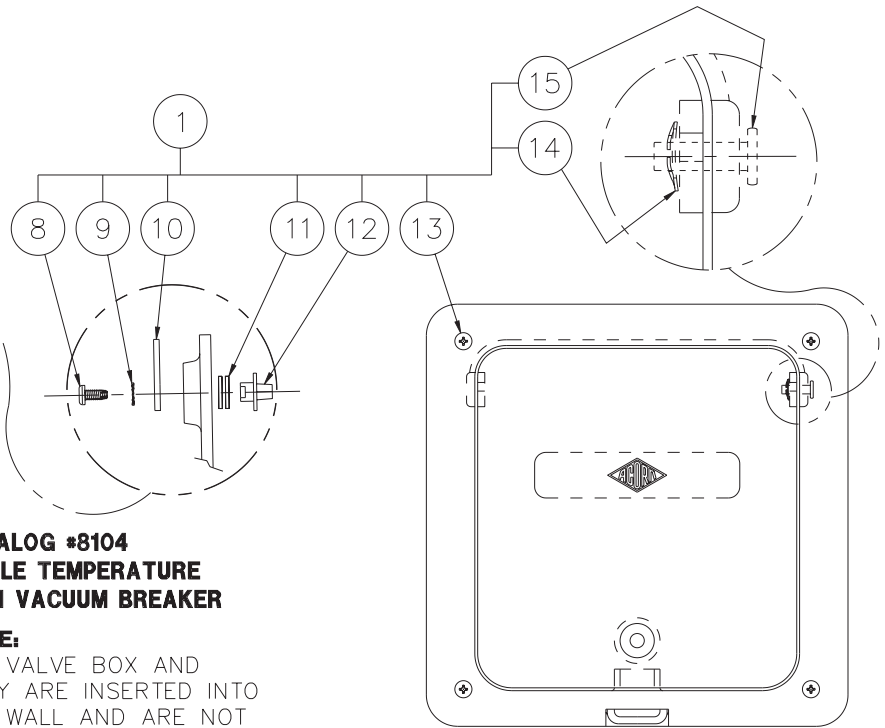


**CATALOG #8103  
SINGLE TEMPERATURE  
LESS VACUUM BREAKER**



**CATALOG #8104  
SINGLE TEMPERATURE  
WITH VACUUM BREAKER**

**NOTE:**  
THE VALVE BOX AND  
BODY ARE INSERTED INTO  
THE WALL AND ARE NOT  
REPLACEABLE.



1	0483-000-001	HOSE BOX DOOR RIM ASSEMBLY	9	0322-001-000	#8 EXTERNAL TOOTH STAR WASHER
2	0112-002-000	#10-32 x 1/2" CNTR REJECT HEX SCKT HD	10	0488-001-199	DOOR LOCK LATCH
3	0540-007-000	VACUUM BREAKER	11	2313-003-000	SPACER WASHER
4	0525-000-002	LOCKSHIELD CARTRIDGE	12	0488-002-000	DOOR LOCK STEM 1/4" SQUARE
5	0528-000-002	STOP ASSEMBLY	13	0161-002-000	#10-32 x 5/8" PHILLIPS FLAT HD SCREW
6	0540-003-000	WHEEL HANDLE	14	0316-005-000	SPEED NUT FOR 3/16" DIA. ROD
7	0116-003-000	#10-32 x 1/2" PHILLIPS RND HEAD SCREW	15	0341-001-000	3/16" DIA. x 5/8" SOLID RIVET
8	0266-002-000	#8-32 x 3/8" SELF-TAPPING SCREW			
ITEM	PART NUMBER	DESCRIPTION	ITEM	PART NUMBER	DESCRIPTION



**ACORN ENGINEERING COMPANY**  
P.O. BOX 3527 INDUSTRY, CA. 91744  
(626) 336-4561 FAX (626) 961-2200

TITLE		
<b>SINGLE TEMP HOSE BOXES CAT #8101, #8102, #8103, #8104</b>		
MANUFACTURE DATE	DATE ISSUED	DRAWING NUMBER
<b>JUNE 1995 TO PRESENT</b>	<b>07/14/97</b>	<b>9989-015-001</b>
	DATE REVISED	
	<b>08/02/01</b>	