

PF1119

TWO HANDLE WALL MOUNT SERVICE SINK FAUCET



Product Features

- Vacuum breaker - backflow prevention
- Ceramic disc cartridges
- Integral stops
- 3/4" hose thread on spout
- Solid brass waterways
- Chrome plated
- Approved for non-potable water applications



Optional Accessories

Works with Speakman SEF-9200 Eyewash hose attachment

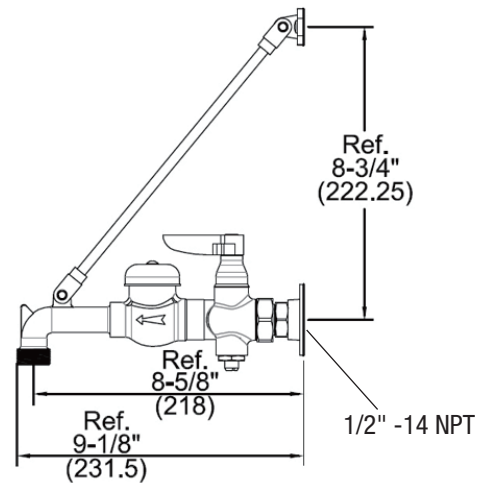
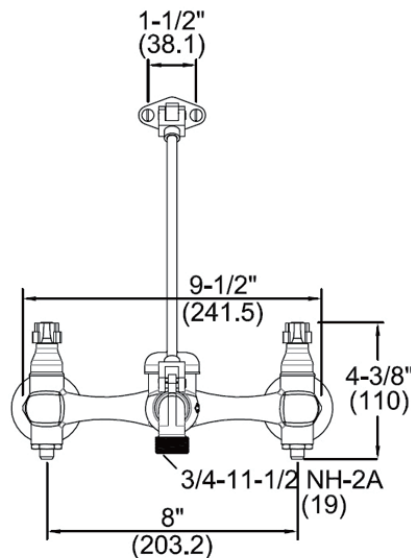
Codes and Certifications



PF1119

- Certified to ASME A112.18.1 / CSA B125.1
- cUPC/IAPMO listed
- ADA compliant

Flow Rates	
Pressure (PSI)	GPM
20	5
30	6
40	7
50	8
60	9
70	10
80	10.5



For detailed warranty information, visit ferguson.com/proflo-faucet-warranty.